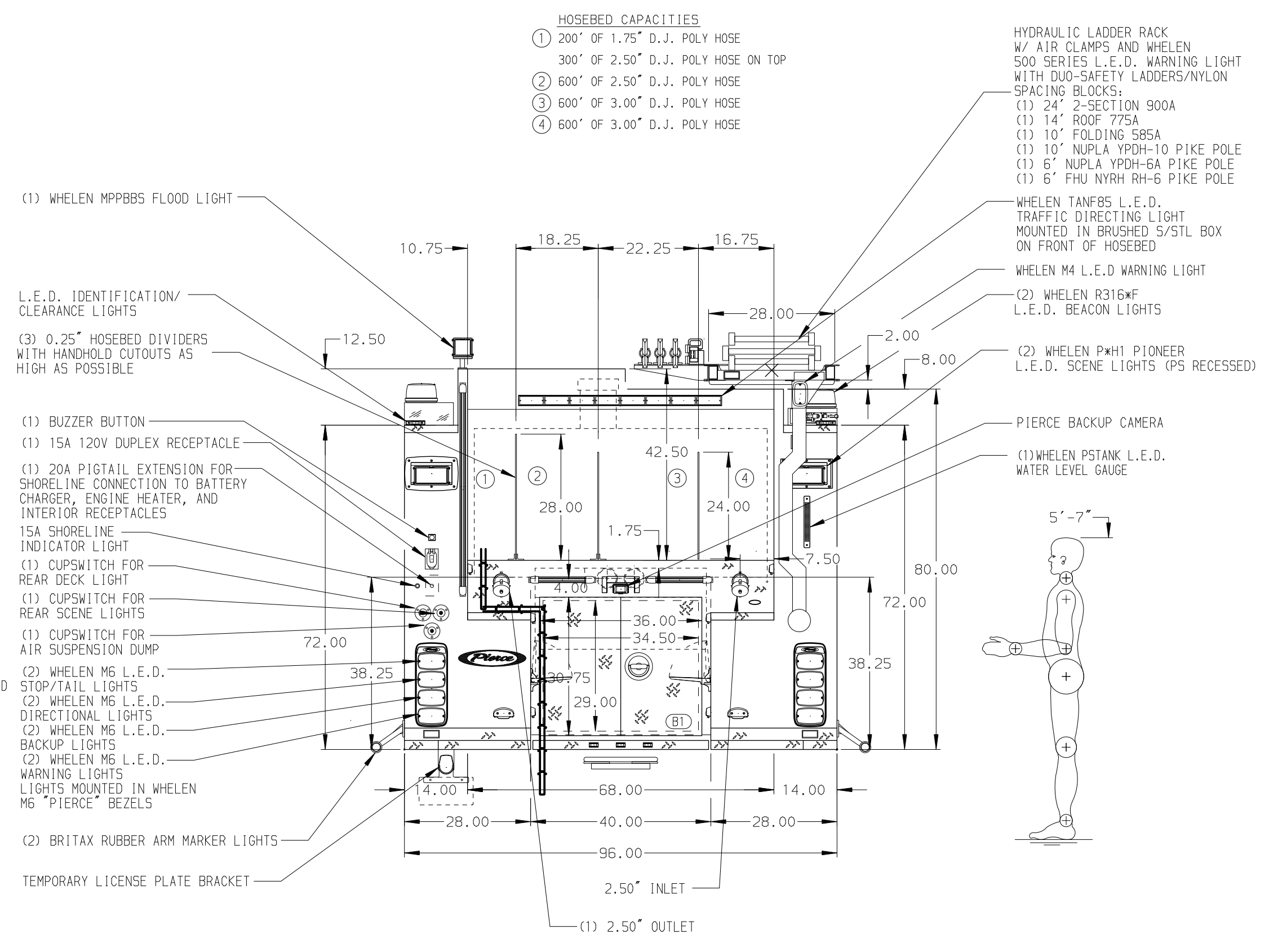
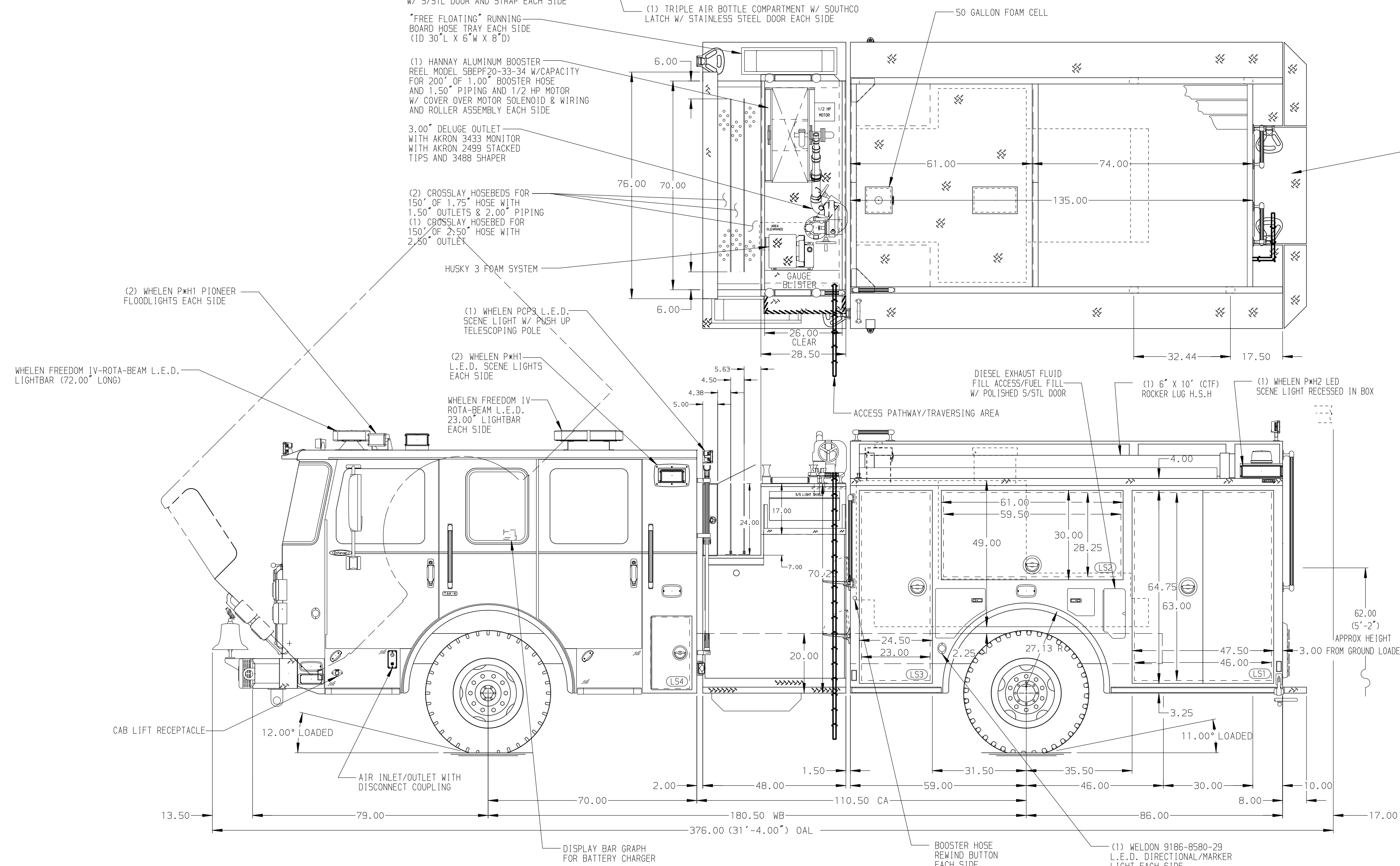


TORX HEAD SCREWS

NUTCERTS

COMPRESSION FITTINGS



ALUMINUM BODY

MAXIMUM O.A.H. 120.00"

SIDE ROLL AND FRONTAL IMPACT PROTECTION

NOTE
DIMENSIONS SHOWN ARE APPROXIMATE AND ARE SUBJECT TO MINOR DEVIATIONS AS MAY OCCUR OR BE NECESSARY IN CONSTRUCTION. MINOR DETAILS NOT SHOWN.

- BRUSHED 5/8" SCUFFPLATE LOCATED AT EACH CAB DOOR JAMB
- (CTF) MUDFLAPS LOCATED FRONT AND REAR
- 5/8" STL FENDER CROWNS LOCATED FRONT AND REAR
- IOTA BATTERY CHARGER W/ 5/8" STL COVER LOCATED BEHIND DRIVERS SEAT
- PULL STRAPS FOR COMPARTMENT DOORS LS2 & RS2
- BRUSHED 5/8" SCUFFPLATE LOCATED ON REAR CAB CORNERS
- 3" POLY SCUFFTAPE LOCATED ON ALL AIR BOTTLE COMPARTMENT OPENINGS
- ONE ADJ FULL WIDTH/DEPTH SHELF W/SQUARE CORNERS IN COMPARTMENTS LS2 TWO IN RS3, THREE IN LS1
- TWO ADJ FULL WIDTH/DEPTH SHELF W/SQUARE CORNERS AND 1" FRONT IN COMPARTMENT LS1; THREE IN LS3
- CTF WHEEL CHOCKS AND BRACKETS
- ONE SWING-OUT ALUMINUM TOOLBOARD IN COMPARTMENT LS2
- BRUSHED 5/8" ON FRONT COMPARTMENT BULKHEADS
- BRUSHED 5/8" SCUFFPLATES ON EACH INTERIOR BODY COMPARTMENT DOOR PAN
- BRUSHED 5/8" SCUFFPLATES ON FRONT AND SIDES OF HOSEBED WALLS
- BRUSHED 5/8" SCUFFPLATES ON BOTTOM DOOR FRAMES OF LS1, LS2, LS3, RS1, RS2, RS3 & B1
- BRUSHED 5/8" SCUFFPLATE LOCATED ON FRONT AND REAR WALLS OF BACKBOARD COMPARTMENT
- PEGBOARD WITH TRACKS ON REAR WALL OF COMPARTMENT LS2
- 100W IMMERSION HEATER
- U" SHAPED ALUMINUM 4-WAY LOCATED ON CREW CAB ROOF
- DOOR FRAME HINGE REINFORCEMENT LOCATED ON EACH BODY COMPARTMENT
- 135LB GAS CYLINDERS ON DOORS IN COMPARTMENTS LS2 & RS2
- DOORS TO OPEN PAST 90 DEGREES IN COMPARTMENTS LS2 & RS2
- SHELF TRACKS LOCATED IN COMPARTMENTS LS1, LS3, RS1, RS2, & RS3
- BRUSHED 5/8" SCUFFPLATE ON LS TOP OF THE WATERTANK CARGO AREA FLANGE

CUSTOMER APPROVAL			
APPROVED BY:	DATE:	TITLE:	FOR:
05AUG19	MMF	SHA	CHASSIS DATA
29JUL19	MMF	SHA	MAKE
24JUN19	MMF	SHA	PIERCE
13JUN19	KLE	KWI	MODEL
30APR19	MMF	SMA	ENFORCER
REV	DATE	BY	CH

		JOB NO.	33855
		SCALE	1:24
MANUFACTURING INC.		TITLE	1500-D-500 GAL POLY W/50 GAL FOAM CELL, 145" FDLER (3)XLAYS, DELUGE, BOOSTER REEL, HYD. LADDER RACK
		FOR	PORTLAND FIRE & RESCUE PORTLAND, OREGON
		CHECKED BY	SMA
		SHEET SIZE	D
33855AD		DWG NO.	
		SHEET NO.	1 OF 1