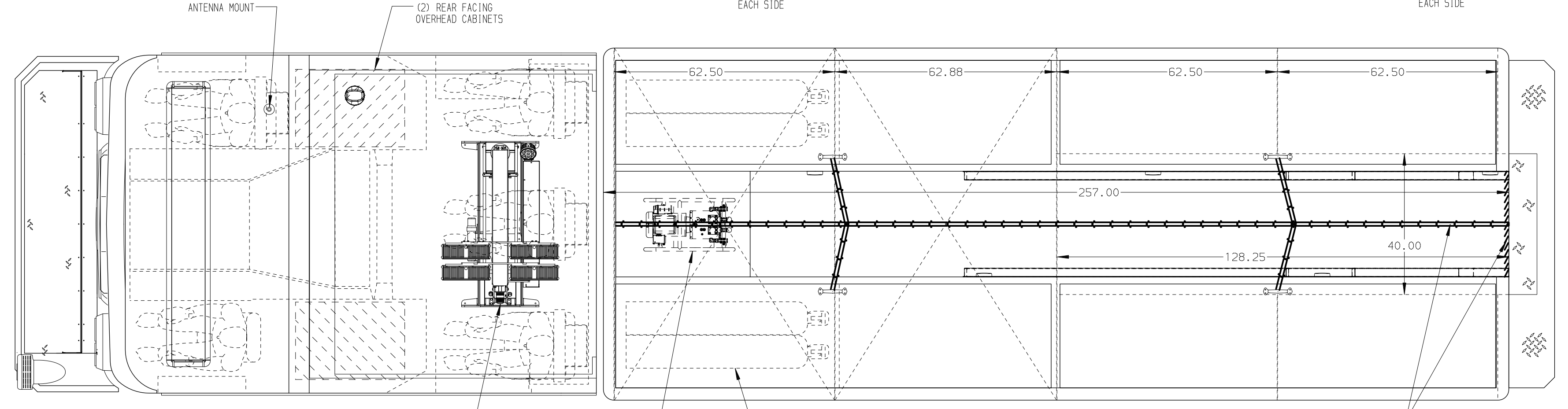
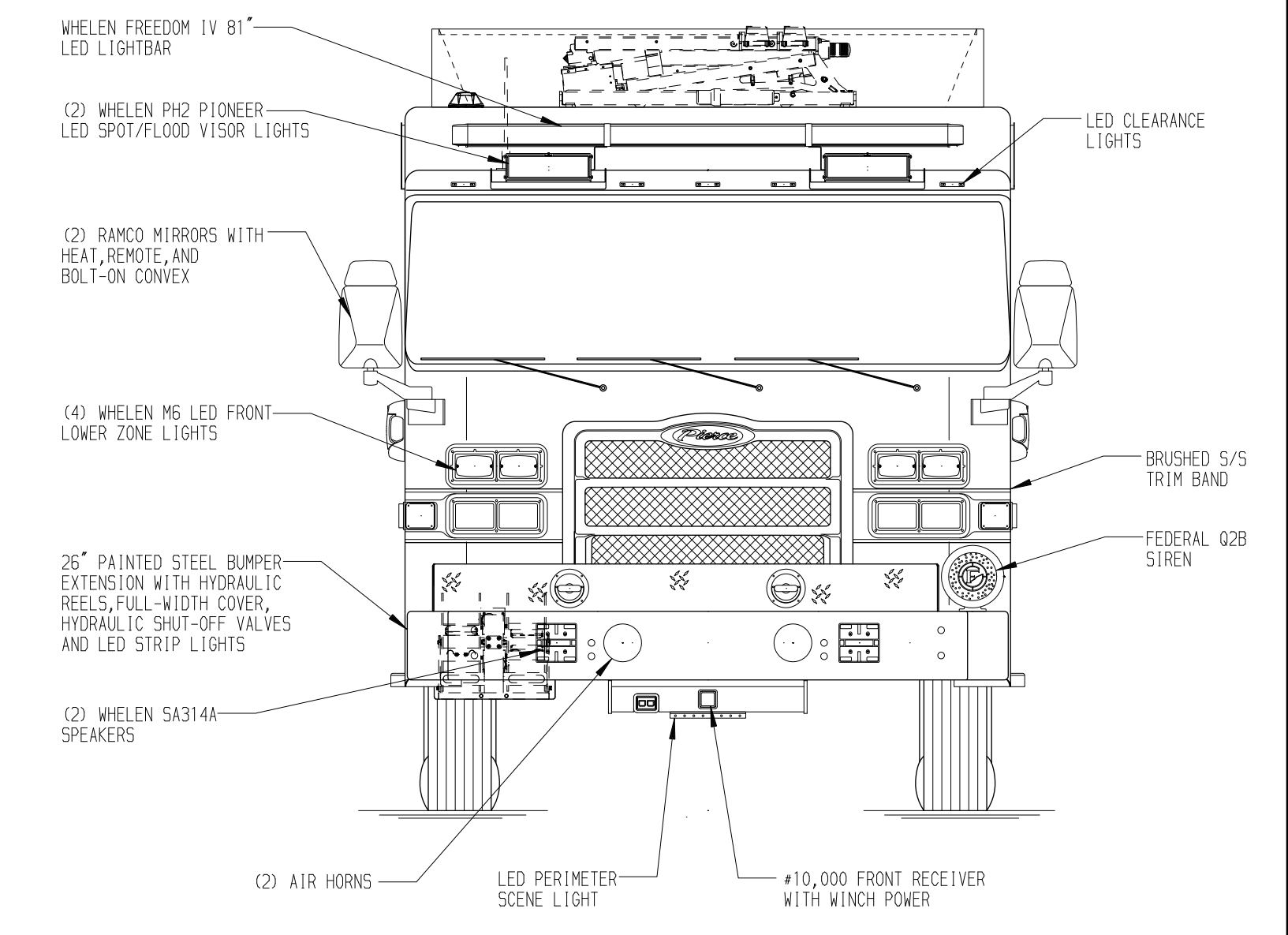
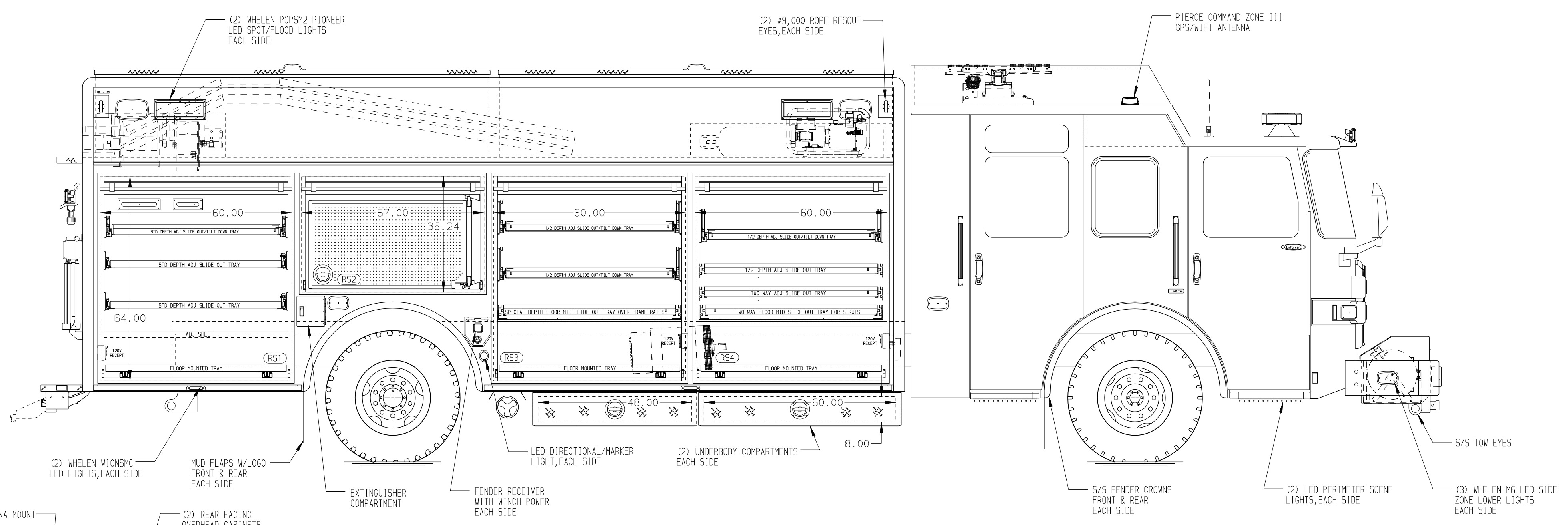
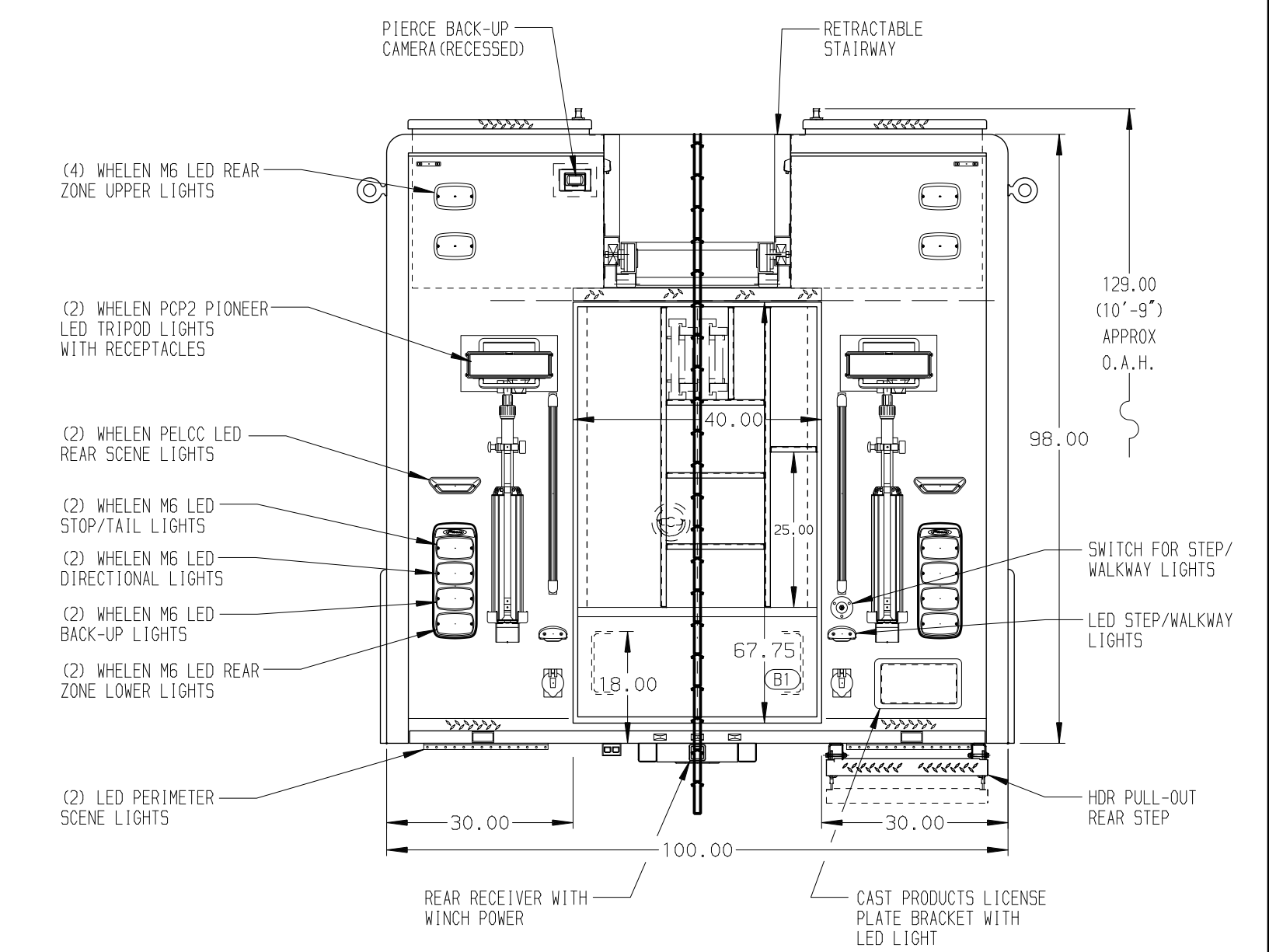
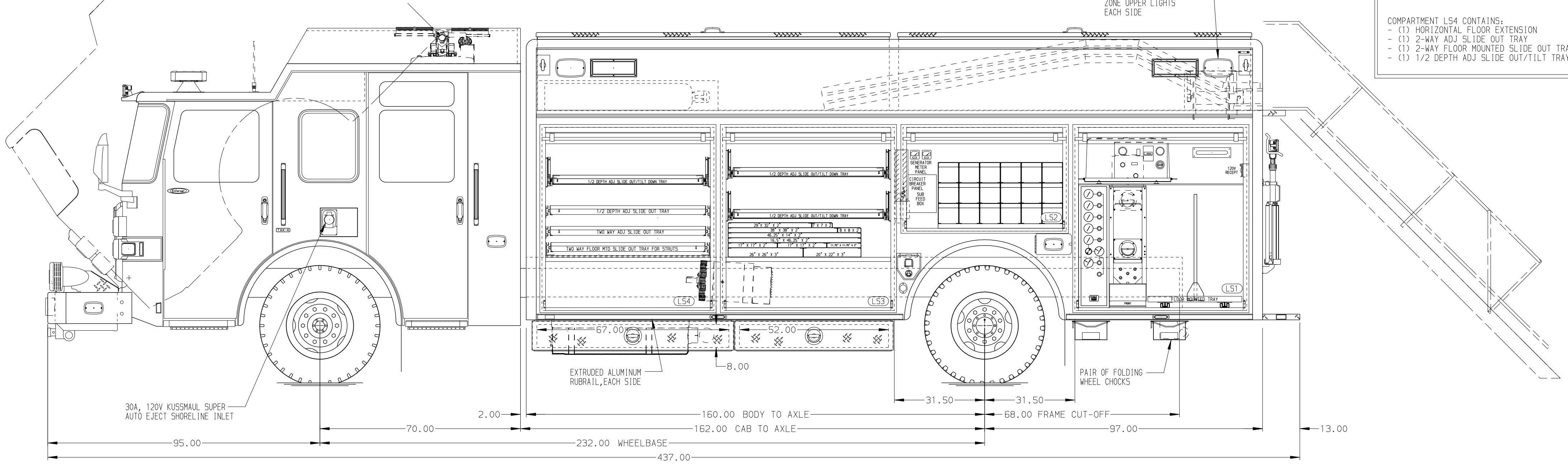


- RIGHT SIDE COMPARTMENTS CONTAIN THE FOLLOWING:**
- COMPARTMENT RS1 CONTAINS:**
- (1) STD DEPTH ADJ SHELF
 - (2) STD DEPTH ADJ SLIDE OUT TRAYS
 - (1) STD DEPTH ADJ SLIDE OUT/TILT TRAY
 - (1) FLOOR MOUNTED TRAY
 - (1) AKRON ELECTRIC CORD REEL WITH 200' OF 10/4 YELLOW CORD
 - (1) 15/20A, 120V DUPLEX RECEPTACLE
 - (1) TOOL AIR REEL WITH 150' OF HOSE
- COMPARTMENT RS2 CONTAINS:**
- (2) SWING OUT TOOLBOARDS
 - TOOLBOARD ON REAR WALL OF COMPARTMENT
- COMPARTMENT RS3 CONTAINS:**
- (1) SPECIAL DEPTH FLOOR MTD SLIDE OUT TRAY OVER FRAME RAIL IN CENTER
 - (2) 1/2 DEPTH ADJ SLIDE OUT/TILT TRAYS
 - (1) FLOOR MOUNTED TRAY
 - (1) 15/20A, 120V DUPLEX RECEPTACLE
- COMPARTMENT RS4 CONTAINS:**
- (1) CAB LIFT CONTROLLER
 - (1) HORIZONTAL FLOOR EXTENSION
 - (1) 2-WAY ADJ SLIDE OUT TRAY
 - (1) 2-WAY FLOOR MOUNTED SLIDE OUT TRAY
 - (1) 1/2 DEPTH ADJ SLIDE OUT/TILT TRAY
 - (1) FLOOR MOUNTED TRAY
 - (1) 15/20A, 120V DUPLEX RECEPTACLE



- LEFT SIDE COMPARTMENTS CONTAIN THE FOLLOWING:**
- COMPARTMENT LS1 CONTAINS:**
- (1) FLOOR MOUNTED TRAY WITH TOOLBOARD
 - (1) AKRON ELECTRIC CORD REEL WITH 200' OF 10/4 YELLOW CORD
 - (1) 15/20A, 120V DUPLEX RECEPTACLE
 - (1) CASCADE SYSTEM CONTROL PANEL
 - (1) SPACESAVER 2-BOTTLE FILL ENCLOSURE
 - (1) BREATHING AIR BOOSTER PUMP
- COMPARTMENT LS2 CONTAINS:**
- (1) RACK FOR 18 SCBA BOTTLES
 - CIRCUIT BREAKER PANEL
 - SUB FEED PANEL
 - GENERATOR METER PANEL
 - COMMAND LIGHT CONTROLLER
- COMPARTMENT LS3 CONTAINS:**
- (1) HORIZONTAL FLOOR EXTENSION
 - (2) 1/2 DEPTH ADJ SLIDE OUT/TILT TRAYS
- COMPARTMENT LS4 CONTAINS:**
- (1) HORIZONTAL FLOOR EXTENSION
 - (1) 2-WAY ADJ SLIDE OUT TRAY
 - (1) 2-WAY FLOOR MOUNTED SLIDE OUT TRAY
 - (1) 1/2 DEPTH ADJ SLIDE OUT/TILT TRAY

- REAR COMPARTMENT CONTAINS THE FOLLOWING:**
- COMPARTMENT B1 CONTAINS:**
- (3) VERTICAL COMPARTMENT DIVIDERS
 - (4) HORIZONTAL COMPARTMENT DIVIDERS
 - (1) HORIZONTAL FLOOR EXTENSION



NOTE
DIMENSIONS SHOWN ARE APPROXIMATE AND ARE SUBJECT TO MINOR DEVIATIONS AS MAY OCCUR OR BE NECESSARY IN CONSTRUCTION. MINOR DETAILS NOT SHOWN.

- NOTES:**
- AIR INLET WITH DISCONNECT COUPLING LOCATED IN DRIVER'S SIDE LOWER STEP WELL OF CAB
 - FLOOR IN CAB AND CREW CAB TO BE PADDED RUBBER
 - DUAL PRO BATTERY CHARGER LOCATED BEHIND THE DRIVER'S SEAT
 - PIERCE DUAL LED LIGHTS IN ALL BODY AND HATCH COMPARTMENTS
 - OWAN 25KW SINGLE PHASE P70 DRIVEN GENERATOR LOCATED BETWEEN THE FRAME RAILS

CLEAR DOOR WIDTH KEY				CHASSIS DATA			
AMORR ROLL UP DOORS:	-2 1/4"			03DEC19	DHE	CDK	MAKE
CORTITE ROLL UP DOORS:	-2 1/2"			180CT19	ALZ	AZU	PIERCE
PIERCE DOUBLE LAP DOORS:	-4 1/4"			27AUG19	ALZ	AZU	MODEL
PIERCE LIFT-UP LAP DOORS:	-1 1/2"			REV	DATE	BY	CH
(EX: 60" F-F - 2 1/4" = 57 3/4" CLEAR) (F-F) = FRAME TO FRAME				EN7010			

MANUFACTURING INC.

TITLE: HEAVY DUTY RESCUE NON-WALKIN

FOR: DENTON FIRE DEPARTMENT DENTON, TX

DWG NO.: 33885AD

JOB NO. 33885

SCALE 1:24

DATE

DRAWN BY DHE

CHECKED BY RUSSEL MABRA

SHEET SIZE D

SHEET NO. 1 OF 1