

# Pumper, PUC BODY

Pumper, PUC, Aluminum

## CHASSIS

Enforcer Chassis, PUC

## CHASSIS AXLE, FRONT, CUSTOM

19,500 Lb TAK-4 Axle

## AXLE, REAR

27,000 Lb Meritor Axle

## ENGINE

525 HP DD13 Engine

## TRANSMISSION

Allison 5th Gen, 4000 EVS P

## BUMPER

16" Extended Painted Steel

## CAB

7010 Enforcer Cab, PUC

## BODY

### WATER TANK

750 Gallon Poly Water Tank

### COMPT, PUMPER, REAR

32.50" FF RollUp w/ Space Saver Tailboard, PUC

### COMPT, PUMPER, LEFT SIDE

177" RollUp Full Height & Depth Front & Rear, PUC  
Raised Rear 3"

### COMPT, PUMPER, RIGHT SIDE

177" RollUp Full Height & Depth Front & Rear, PUC  
Raised Rear 3"

## FIRE SUPPRESSION PUMPHOUSE

Control Zone, PUC

### PUMP

1500 GPM Pierce PUC

### CROSSLAYS, 1.50"

(2) 1.50", Poly Trays, 200"

### CROSSLAYS, 2.50"

(1) 2.50", Poly Tray, 200"

### GENERATOR

Generator Not Required

### Foam System

Husky 3 Single Agent Foam System

### Foam Cell

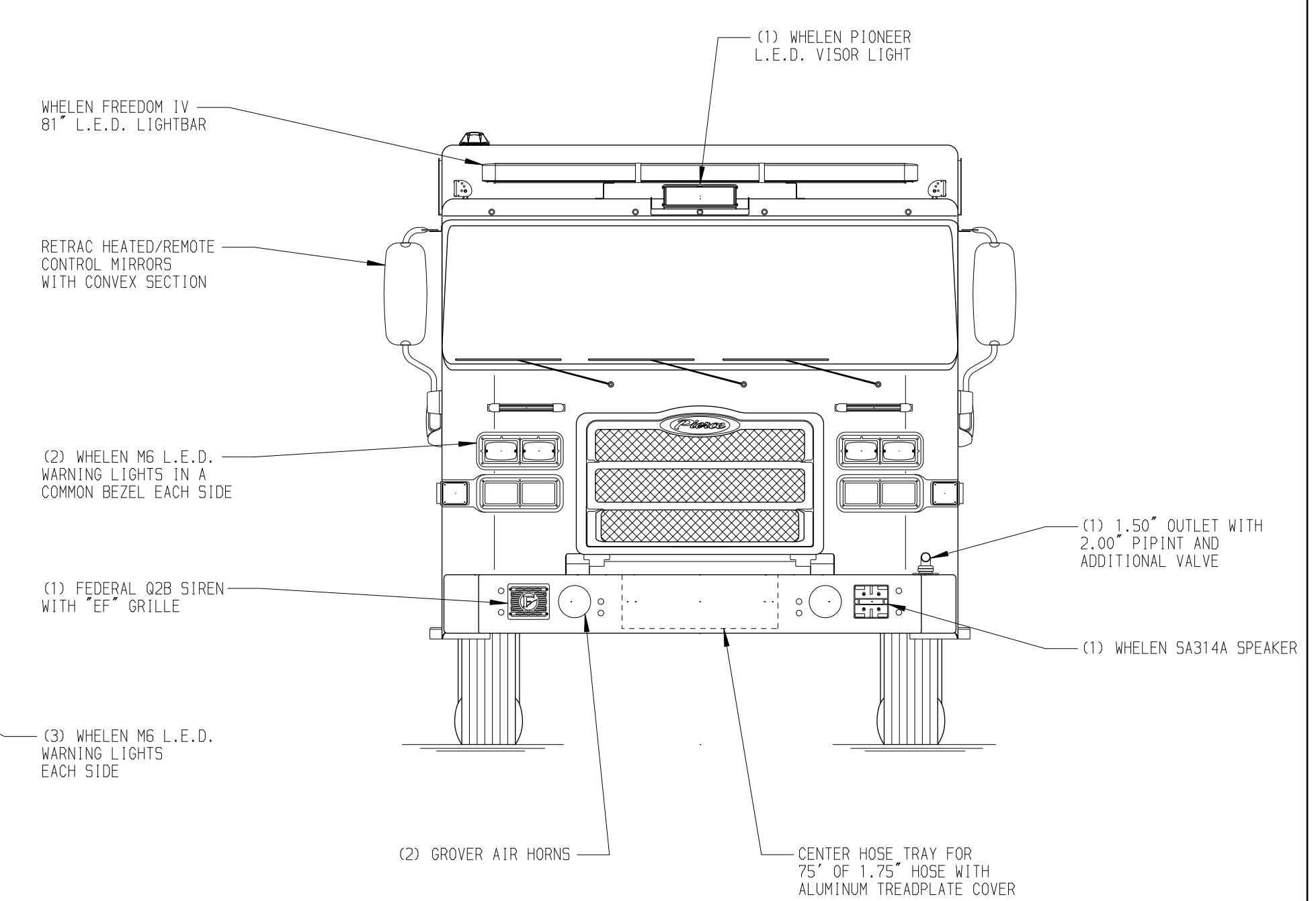
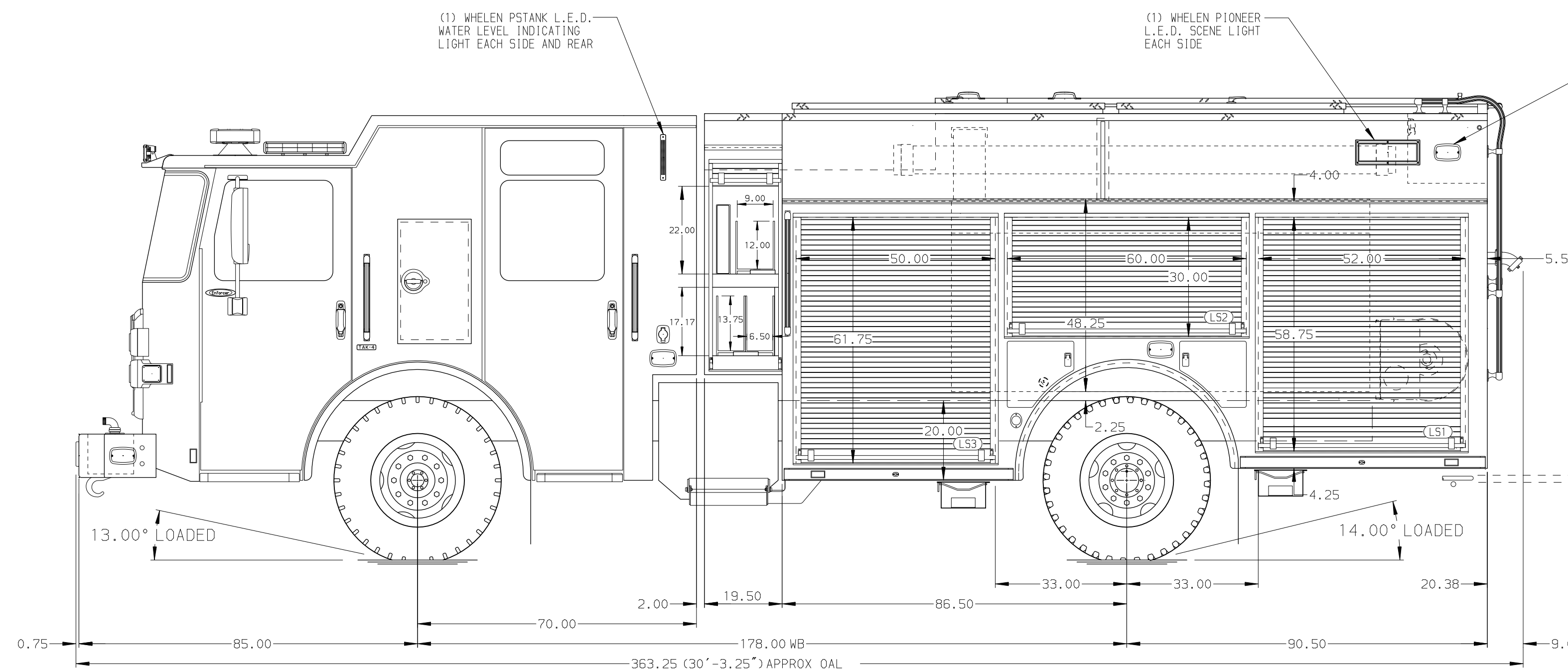
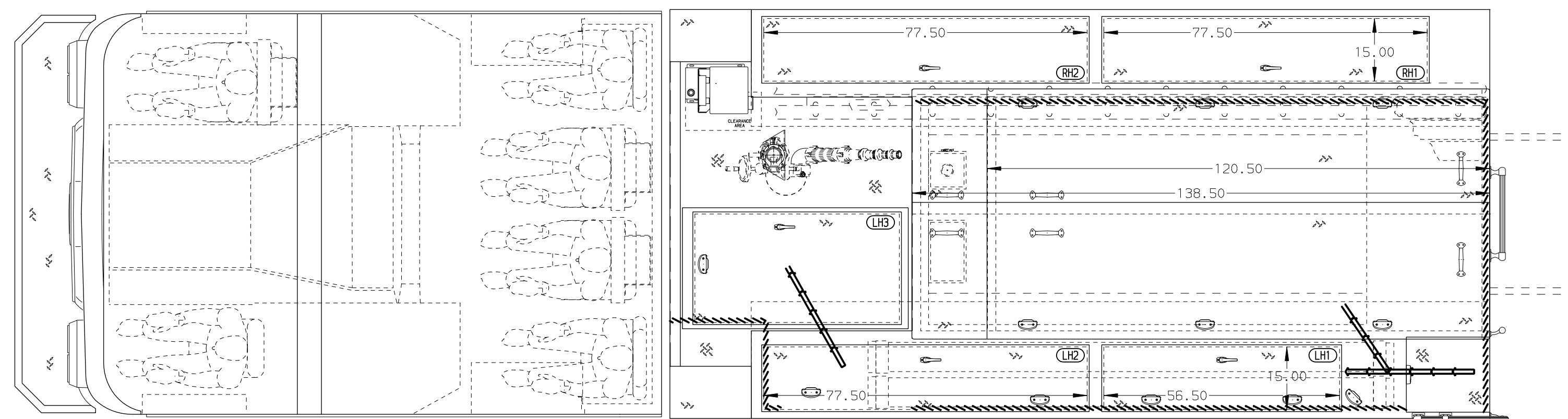
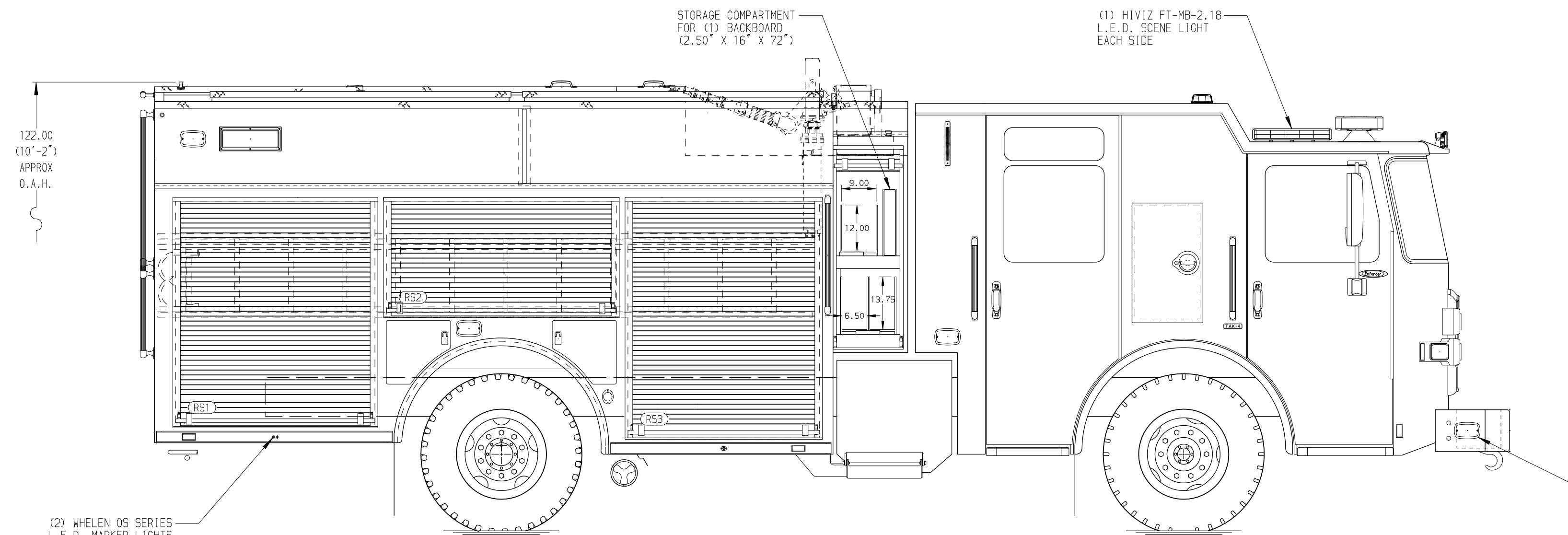
20 Gallon Foam Cell, Not Reduced Water, PUC

Side Roll and Frontal Impact Protection

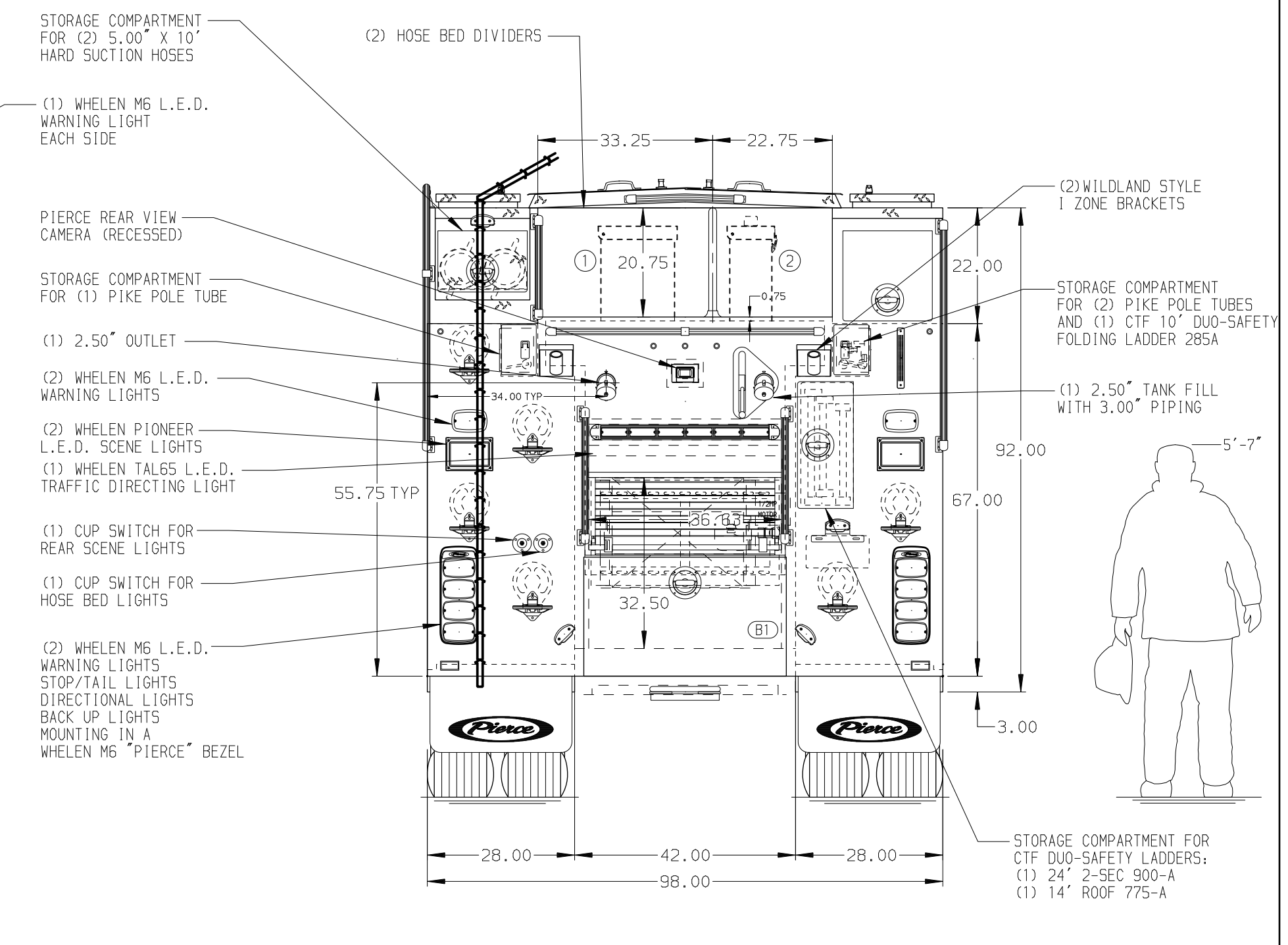
### NOTE

DIMENSIONS SHOWN ARE APPROXIMATE AND ARE SUBJECT TO MINOR DEVIATIONS AS MAY OCCUR OR BE NECESSARY IN CONSTRUCTION. MINOR DETAILS NOT SHOWN.

- AIR INLET WITH DISCONNECT COUPLING IN THE DRIVER SIDE STEPWELL
- TWO AIR OUTLETS WITH SHUT OFF VALVES LOCATED PER SHOP ORDER
- SHOULDER RECEPTACLE WITH KUSSMALL SUPER AUTO-EJECT LOCATED REARWARD OF DS CREW CAB DOOR
- AIR INLET WITH DISCONNECT COUPLING IN THE DRIVER SIDE STEPWELL
- BATTERY CHARGER LOCATED IN COMPARTMENT PER SHOP ORDER
- BATTERY CHARGE INDICATOR LOCATED ON THE DRIVER SIDE SEAT RISER
- TEN ADJUSTABLE SHELVES LOCATED PER SHOP ORDER
- TWO FLOOR MOUNTED SLIDE-OUT TRAYS LOCATED PER SHOP ORDER
- ONE CTECH DRAWER ASSEMBLY LOCATED PER SHOP ORDER
- TWO SWING-OUT TOOLBOARDS LOCATED PER SHOP ORDER
- SEALED PARTITIONS LOCATED BETWEEN COMPARTMENTS LST1/BA & RS1/B1
- TWO AIR BOTTLE HOLDERS LOCATED PER SHOP ORDER
- TWO 120V DUBLEX RECEPTACLES LOCATED PER SHOP ORDER
- HANNAY BOOSTER REEL MODEL EF32-21-22-B WITH CAPACITY FOR 200' OF 1.00" BOOSTER HOSE



HOSEBED CAPACITY	
BED 1	950' OF 5.00" D.J. POLY HOSE
BED 2	950' OF 3.00" D.J. POLY HOSE



MAXIMUM O.A.H. - 121.00"      MAXIMUM O.A.L. - 365.00"

		JOB NO.	33887
		SCALE	1:24
TITLE Pierce PUC Pumper Approval Drawing FOR Piedmont Fire Department		DATE	
		DRAWN BY	COL
MAKE PIERCE MODEL ENFORCER		CHECKED BY	KBO
		DATE	22APR19
DWG NO. 33887AD		SHEET SIZE	D
		SHEET NO.	1 OF 1

REV	DATE	BY	CH	ENFORCER
06AUG19	COL	KBO		CHASSIS DATA
31JUL19	COL	KBO		PIERCE
09JUL19	COL	KBO		PIERCE
30MAY19	COL	KBO		ENFORCER