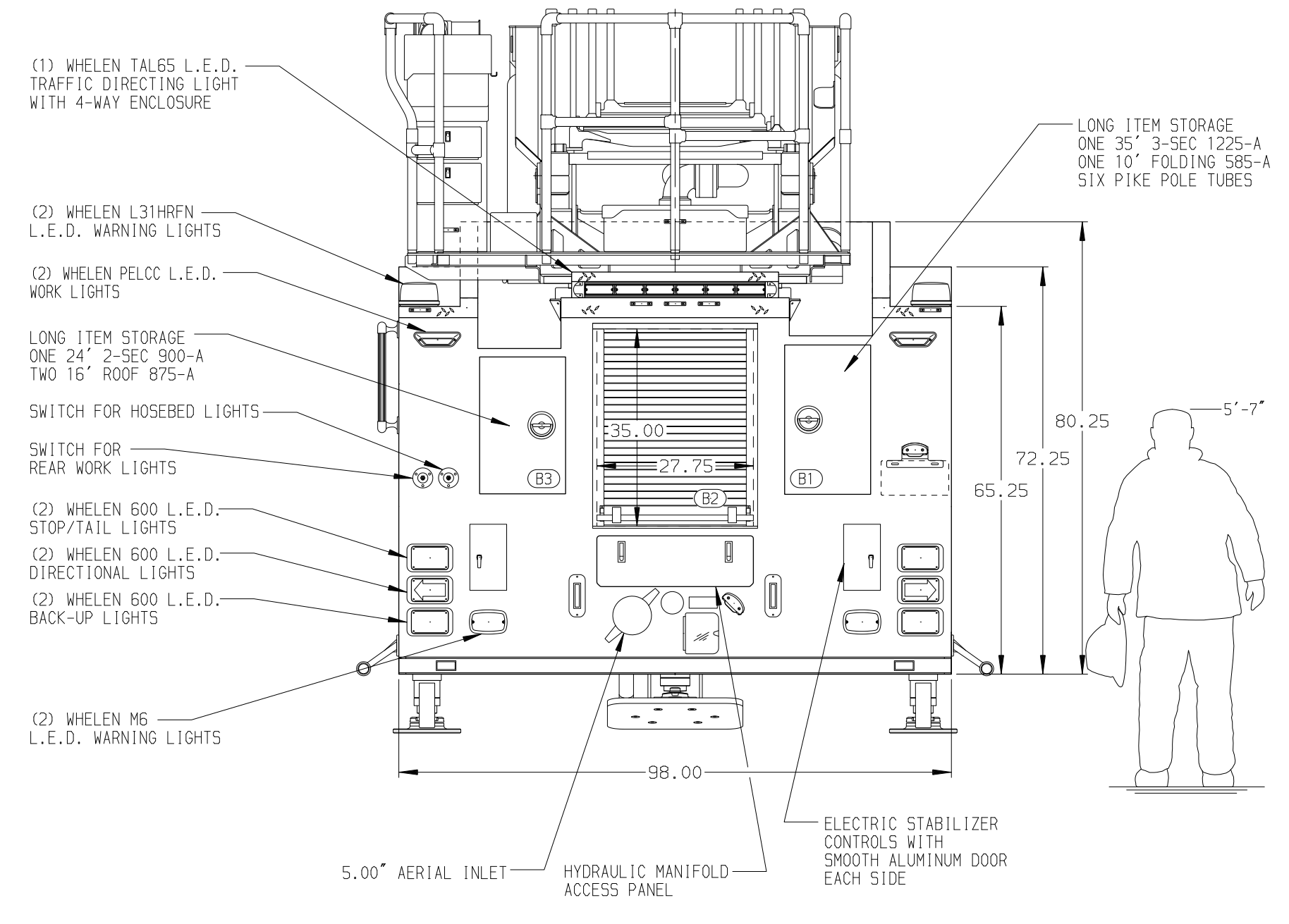
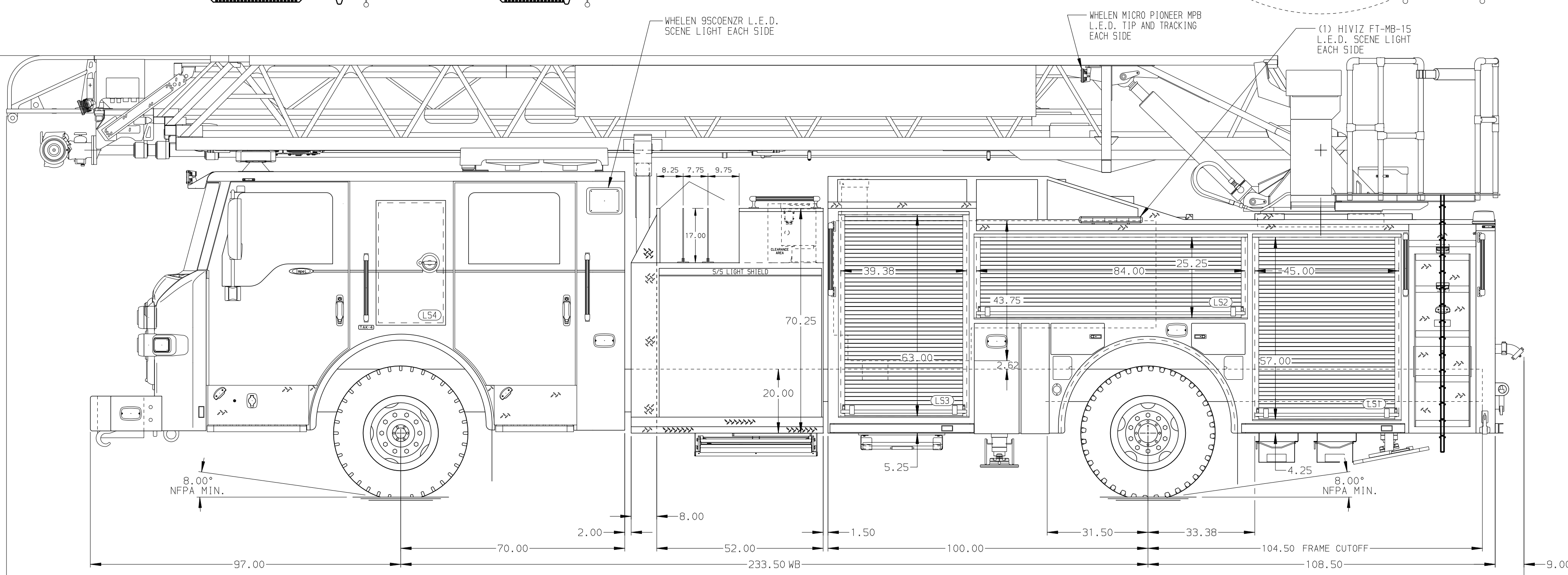
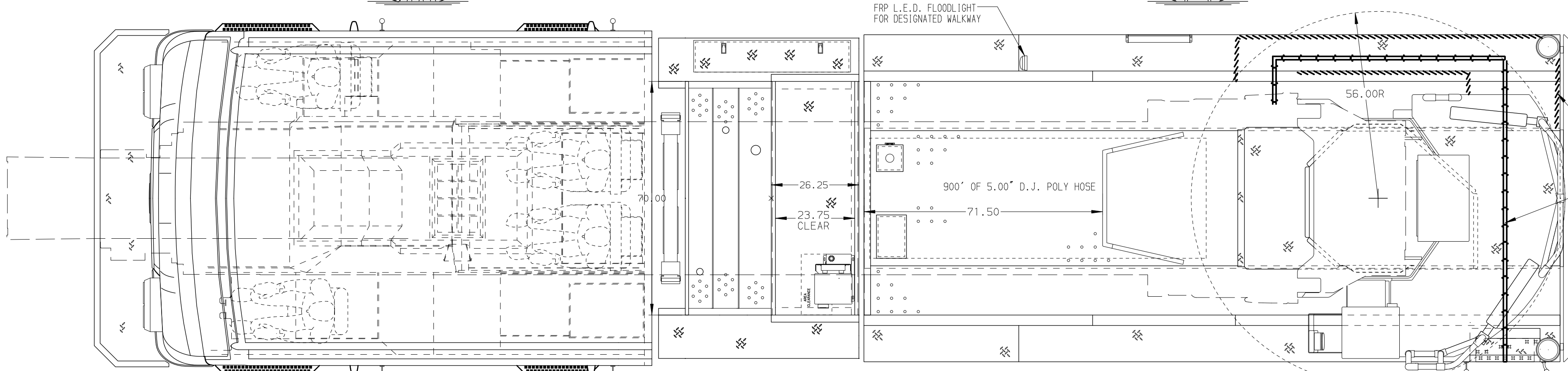


BODY 107' ASL Aluminum Body COMPT, LEFT SIDE FRONT Full Height RollUp Forward COMPT, LEFT SIDE REAR Full Height RollUp Rearward COMPT, RIGHT SIDE FRONT Full Height RollUp Forward COMPT, RIGHT SIDE REAR Full Height RollUp Rearward	WATER TANK 475 Gallon Poly Water Tank Foam System Husky 3 Single Agent Foam System Foam Cell 25 Gallon Foam Cell, Reduced Water
---	---



CHASSIS Impel Chassis ENGINE 450 HP Cummins L9 Engine	CAB 7000 Impel FR Cab BUMPER 19\"/>	
AXLE, FRONT, CUSTOM 22,800 Lb TAK-4 Axle AXLE, REAR 33,500 Lb Meritor Axle	TRANSMISSION Allison 5th Gen, 3000 EVS P	PUMPHOUSE 52\"/>
CROSSLAYS, 1.50" (2) 1.50\"/>		
SPEEDLAYS Speedlays Not Required GENERATOR Generator Not Required	SAFETY Frontal Impact Protection	

NOTE
DIMENSIONS SHOWN ARE APPROXIMATE AND ARE SUBJECT TO MINOR DEVIATIONS AS MAY OCCUR OR BE NECESSARY IN CONSTRUCTION. MINOR DETAILS NOT SHOWN.

- ONE 1.50 OUTLET WITH 2.00 PIPING AND SWIVEL LOCATED IN CENTER BUMPER TRAY
- SHORELINE RECEPTACLE WITH KUSSMAUL SUPER AUTO-EJECT LOCATED IN THE DRIVER SIDE STEPWELL
- AIR INLET WITH DISCONNECT COUPLING IN THE DRIVER SIDE STEPWELL
- BATTERY CHARGER LOCATED IN COMPARTMENT PER SHOP ORDER
- BATTERY CHARGE INDICATOR LOCATED NEAR DRIVER SEAT RISER WITH BRACKET
- FIVE ADJUSTABLE SHELVES IN COMPARTMENTS PER SHOP ORDER
- FOUR FLOOR MOUNTED SLIDE-OUT TRAYS IN COMPARTMENTS PER SHOP ORDER
- TWO SWING-OUT ALUMINUM TOOL BOARDS IN COMPARTMENTS PER SHOP ORDER
- EIGHT VERTICAL EQUIPMENT MOUNTING TRACKS IN COMPARTMENTS PER SHOP ORDER
- NON-RAISED AERIAL PEDESTAL
- 1500 GPM HIGH FLOW WATERWAY

				CHASSIS DATA	TITLE	107' ASCENDANT AERIAL LADDER AND BODY ASSEMBLY	JOB NO.	33900
				MAKE	FOR	City of Mansfield Division of Fire Mansfield, Ohio	SCALE	1:24
				PIERCE	DWG NO.	33900AD	DATE	
				MODEL			DRAWN BY	TKA
				REV			CHECKED BY	CRI
				DATE			SHEET SIZE	D
				BY			SHEET NO.	1 OF 1
				CH				