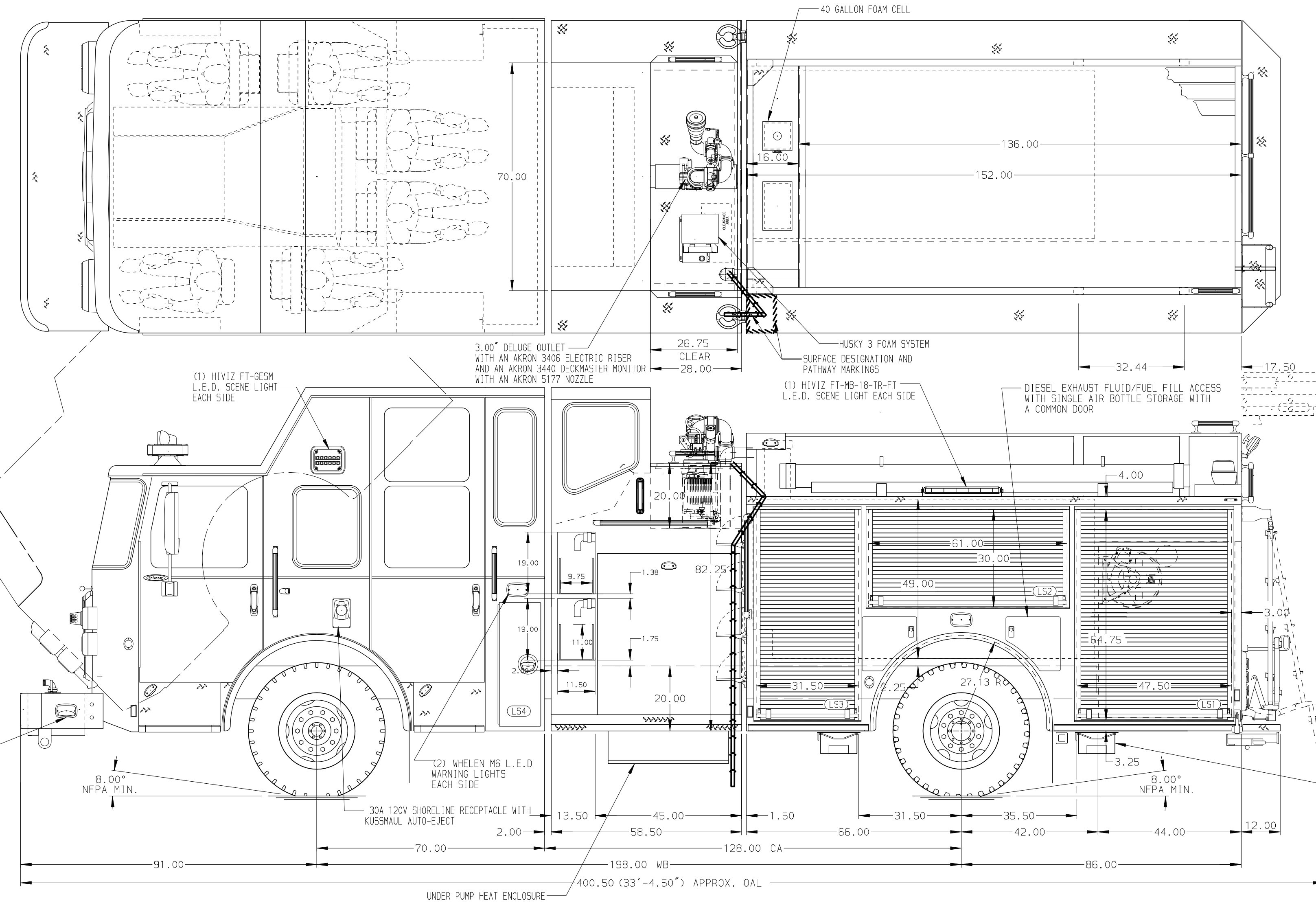
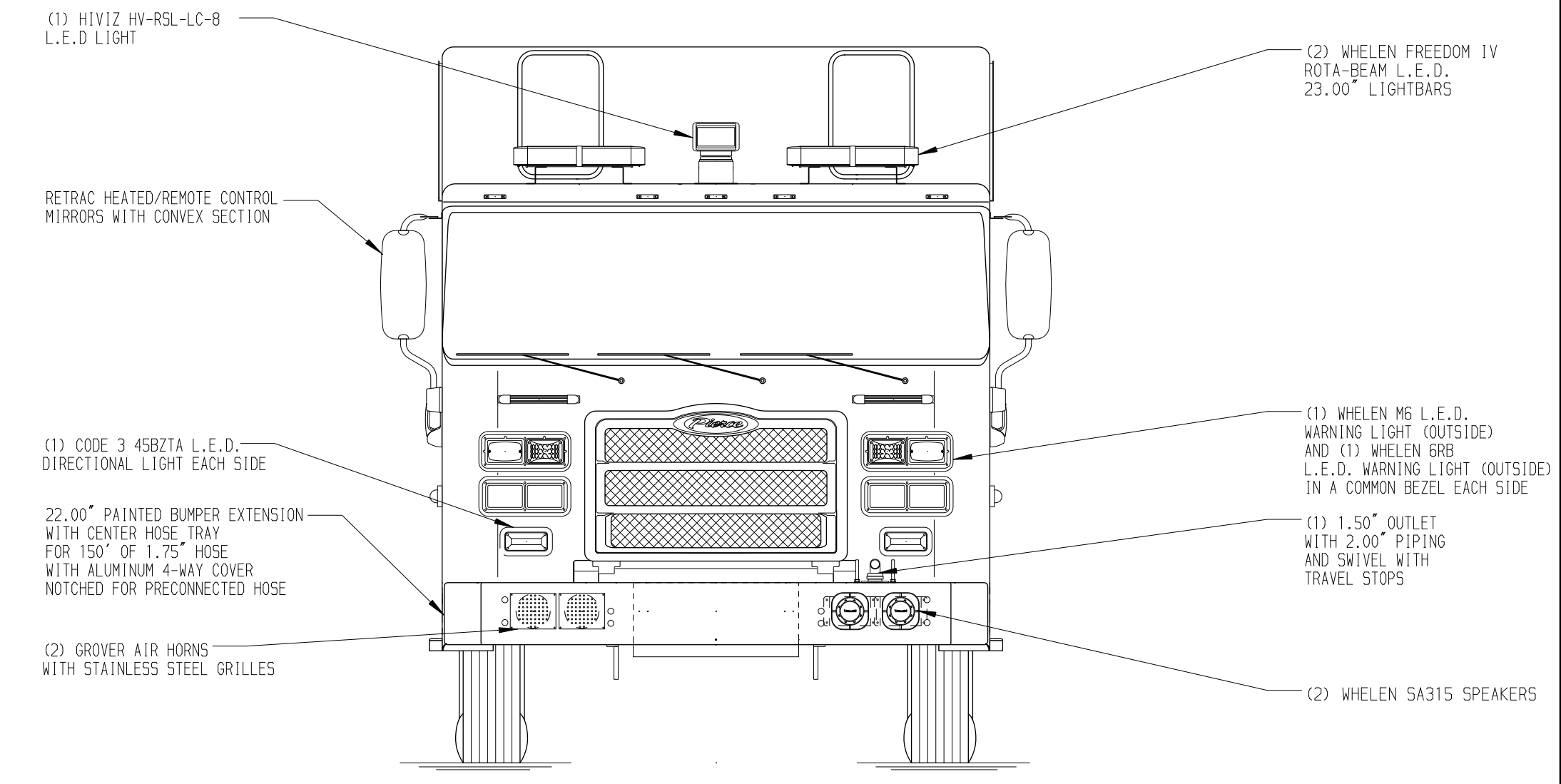
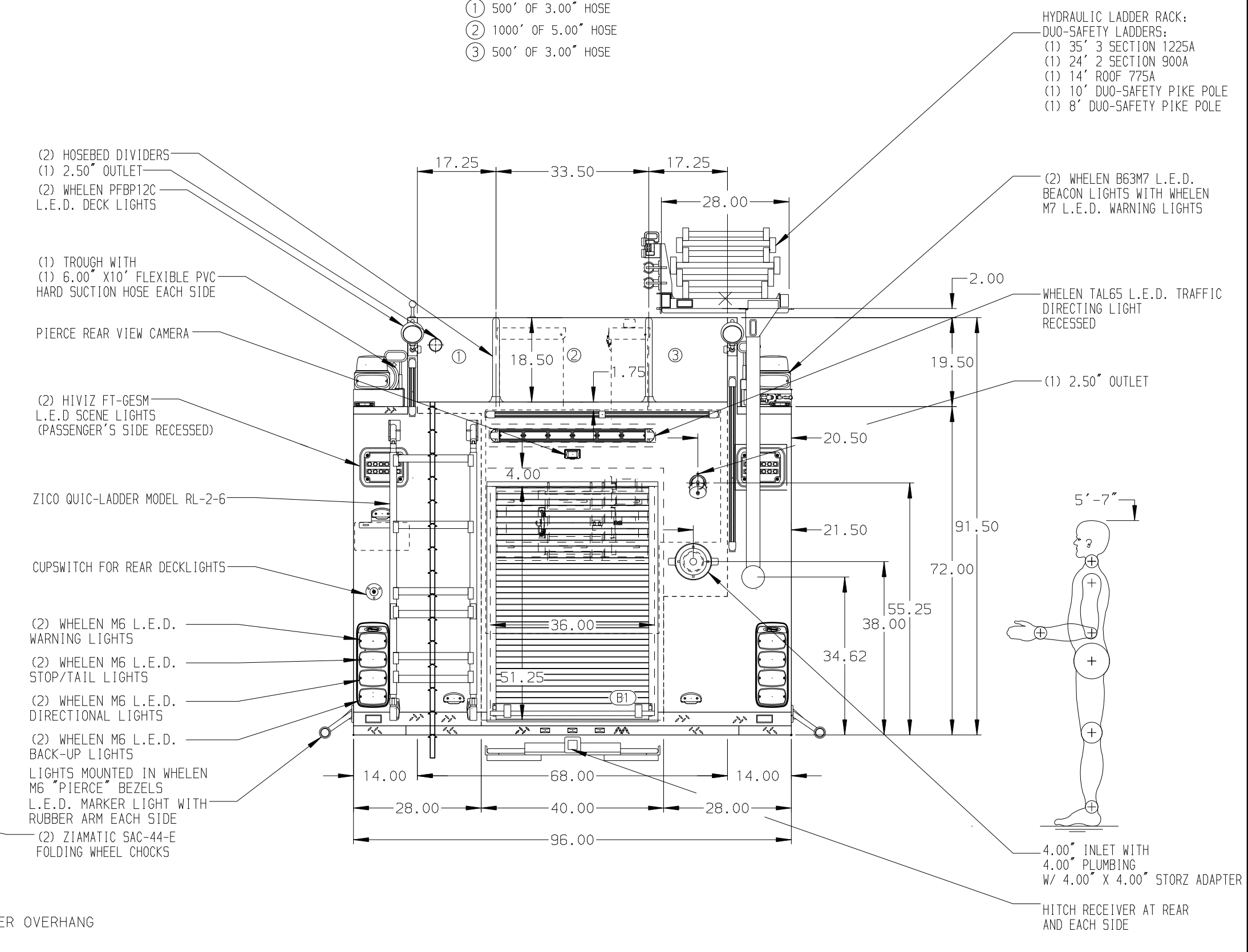


136.00
(11'-4")
APPROX
O.A.H.



HOSEBED CAPACITIES
 ① 500' OF 3.00" HOSE
 ② 1000' OF 5.00" HOSE
 ③ 500' OF 3.00" HOSE



ALUMINUM BODY

FRONTAL IMPACT PROTECTION

		JOB NO.	33909
		SCALE	DATE
TITLE 2000-D-890P, 850 GAL. WATER/40 GAL. FOAM CELL 152" BODY, HYDRAULIC LADDER RACK, DELUGE		DRAWN BY	LST 15MAY19
FOR TAYLOR FIRE & RESCUE SERVICE TAYLOR, BC, CANADA		CHECKED BY	NPA 16MAY19
DWG NO. 33909AD		SHEET SIZE	SHEET NO. D 1 OF 1

NOTE
 DIMENSIONS SHOWN ARE APPROXIMATE AND ARE SUBJECT TO MINOR DEVIATIONS AS MAY OCCUR OR BE NECESSARY IN CONSTRUCTION. MINOR DETAILS NOT SHOWN.

- ONSPOT AUTOMATIC TIRE CHAINS TO BE PROVIDED AT THE REAR
- (1) RAPELLING ROPE ANCHOR PLATE SHIPPED LOOSE
- BATTERY CHARGER MOUNTED BEHIND THE DRIVER'S SEAT AND COMPRESSOR BEHIND THE OFFICER'S SEAT
- BATTERY CHARGER INDICATOR LOCATED ON DRIVER'S SEAT RISER
- DRIP PAN GUARD FOR ROLL-UP DOORS IN L51, L52, L53, B1, R51, R52, AND R53
- FULL WIDTH/DEPTH ADJUSTABLE SHELVES THREE IN L53 AND R51 AND TWO IN R53
- ONE FLOOR MOUNTED SLIDE-OUT TRAY IN L53 AND R51
- KUSSMAUL INVERTER REAR OF THE OFFICER'S SEAT
- 120V 7-PLACE RECEPTACLE STRIP BEHIND THE DRIVER'S SEAT
- ONE 120V NEMA DUPLEX RECEPTACLE IN L53, B1, R51, AND R53
- ONE HANWAY EF2220-17-18 ELECTRIC REWIND HYDRAULIC REEL FOR 100' OF HOLMATRO CORE TECH HOSE IN B1
- AIR OUTLET WITH SHUT OFF VALVE ON THE PASSENGER'S SIDE PUMP PANEL
- 3-PIECE NEDERMAN STEEL/ MAGNET ANCHOR PLATE CONNECTOR ON ROLL UP DOOR IN R53
- ONE TILT/ SLIDE-OUT TRAY IN L52
- TWO SLIDE-OUT ALUMINUM TOOLBOARDS WITH PEG BOARD IN L51
- ONE SWING-OUT TOOLBOARD WITH PEGBOARD IN R52
- TWO VENTS WITH SPLASH GUARD IN L52
- PEGBOARD MOUNTED ON THE FORWARD WALL OF L51
- PEGBOARD W/ TRACK MOUNTED ON THE BACK WALL OF R52 AND R53
- PEGBOARD W/ TRACK MOUNTED ON THE BACK WALL OF L51
- TWO ADDITIONAL POLY TRAY SHIPPED LOOSE FOR THE SPEEDLAYS
- HOLMATRO SR20 PC2 POWER SUPPLY IN B1

09SEP19	LST	DTS	MAKE	CHASSIS DATA
12AUG19	LST	DTS	PIERCE	FOR
29JUL19	KLE	KW1	MODEL	DWG NO.
REV	DATE	BY	CH	ENFORCER