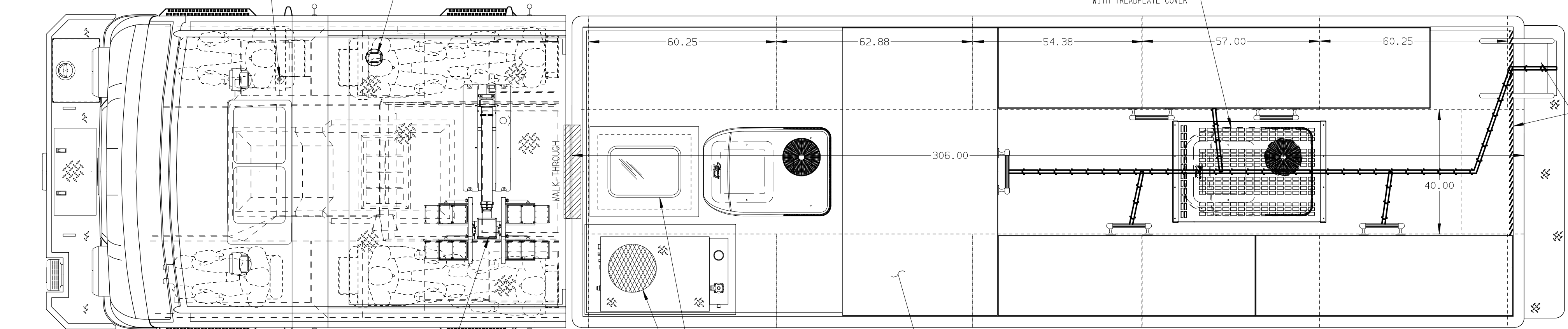
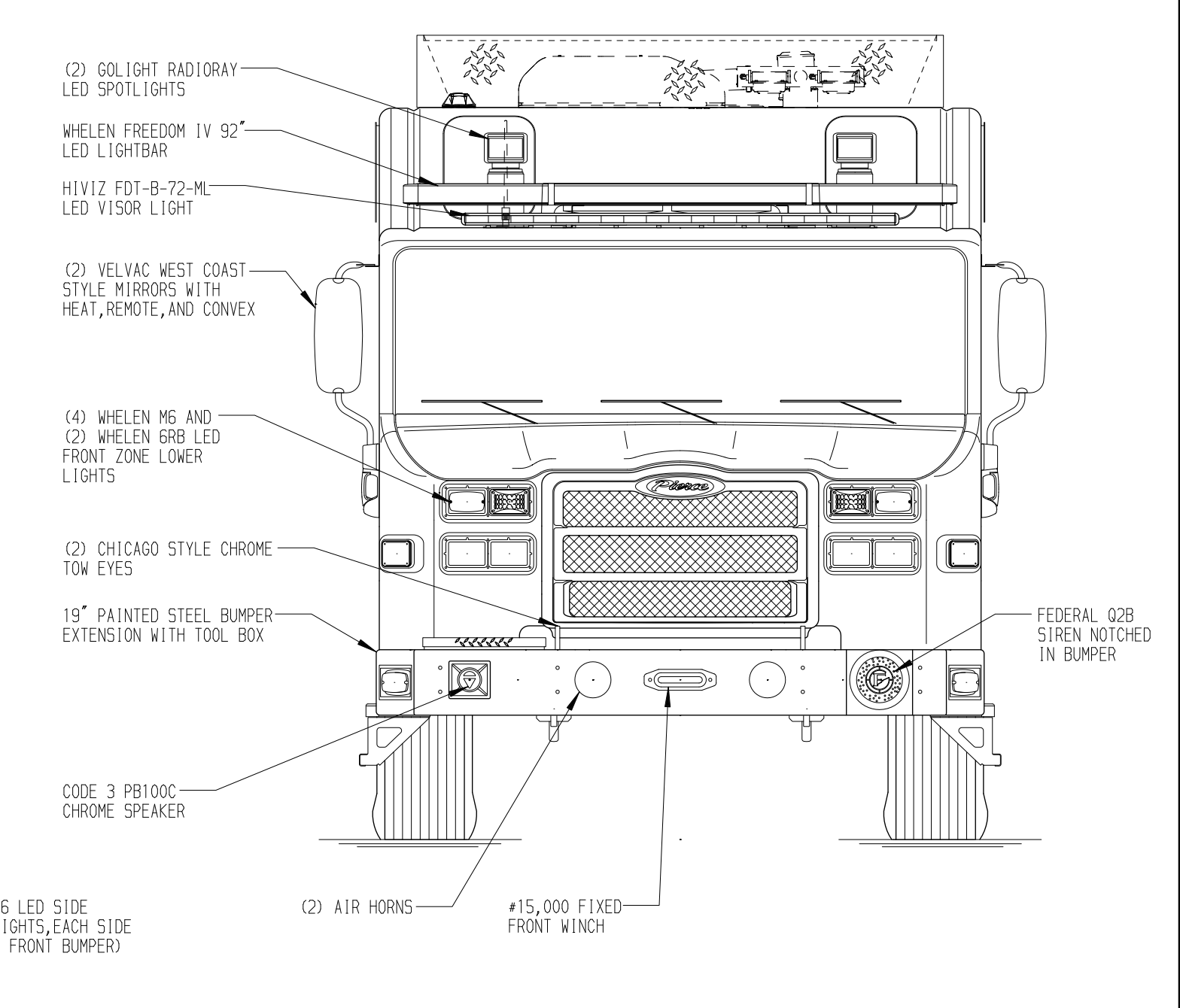
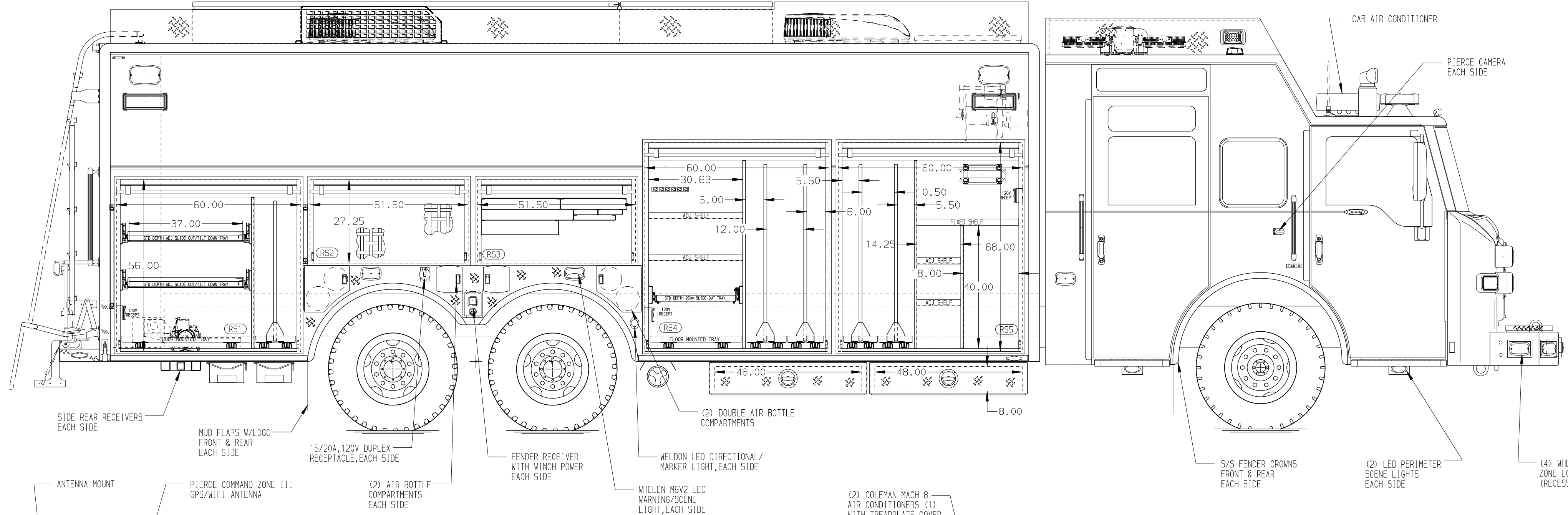
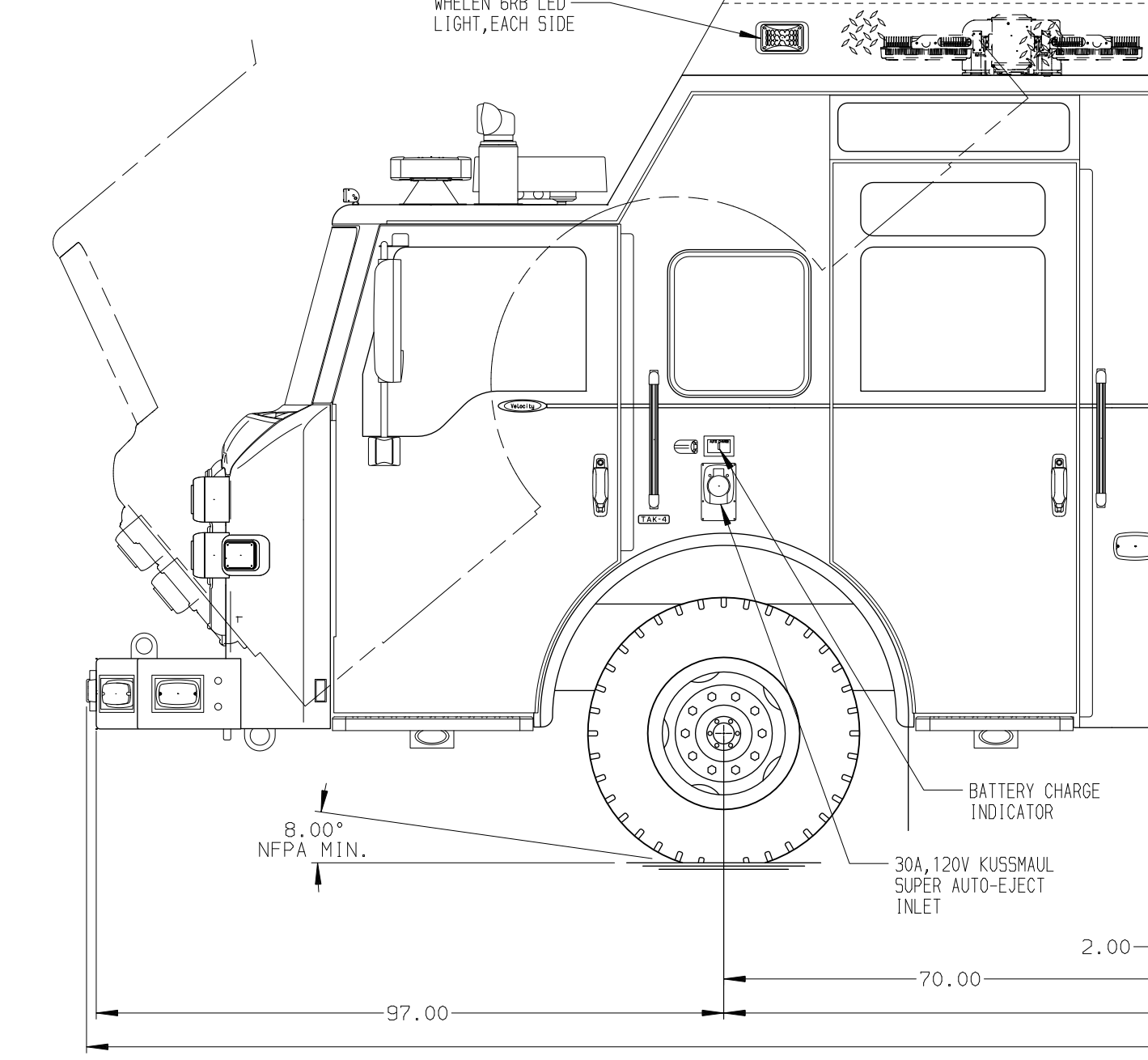
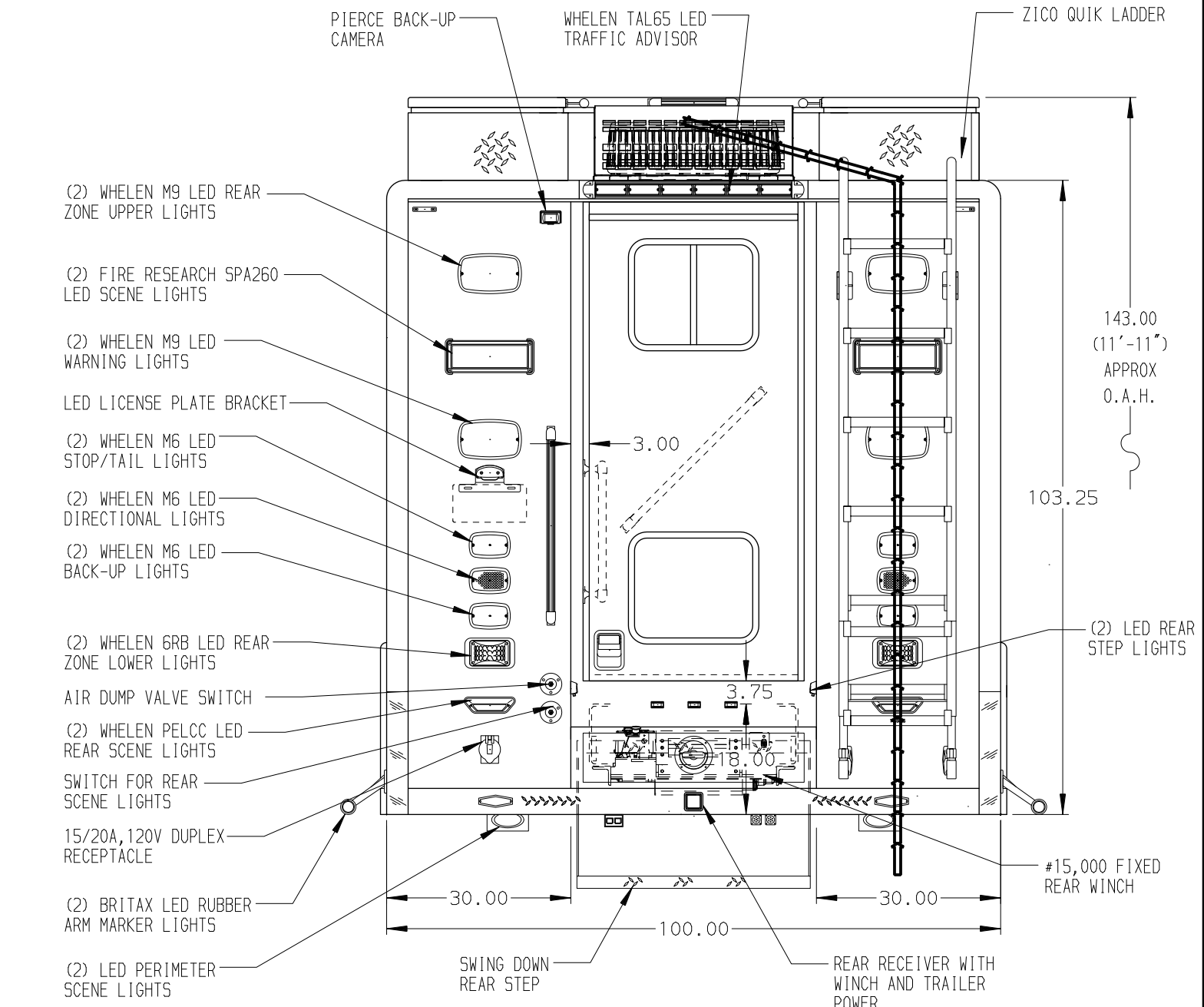
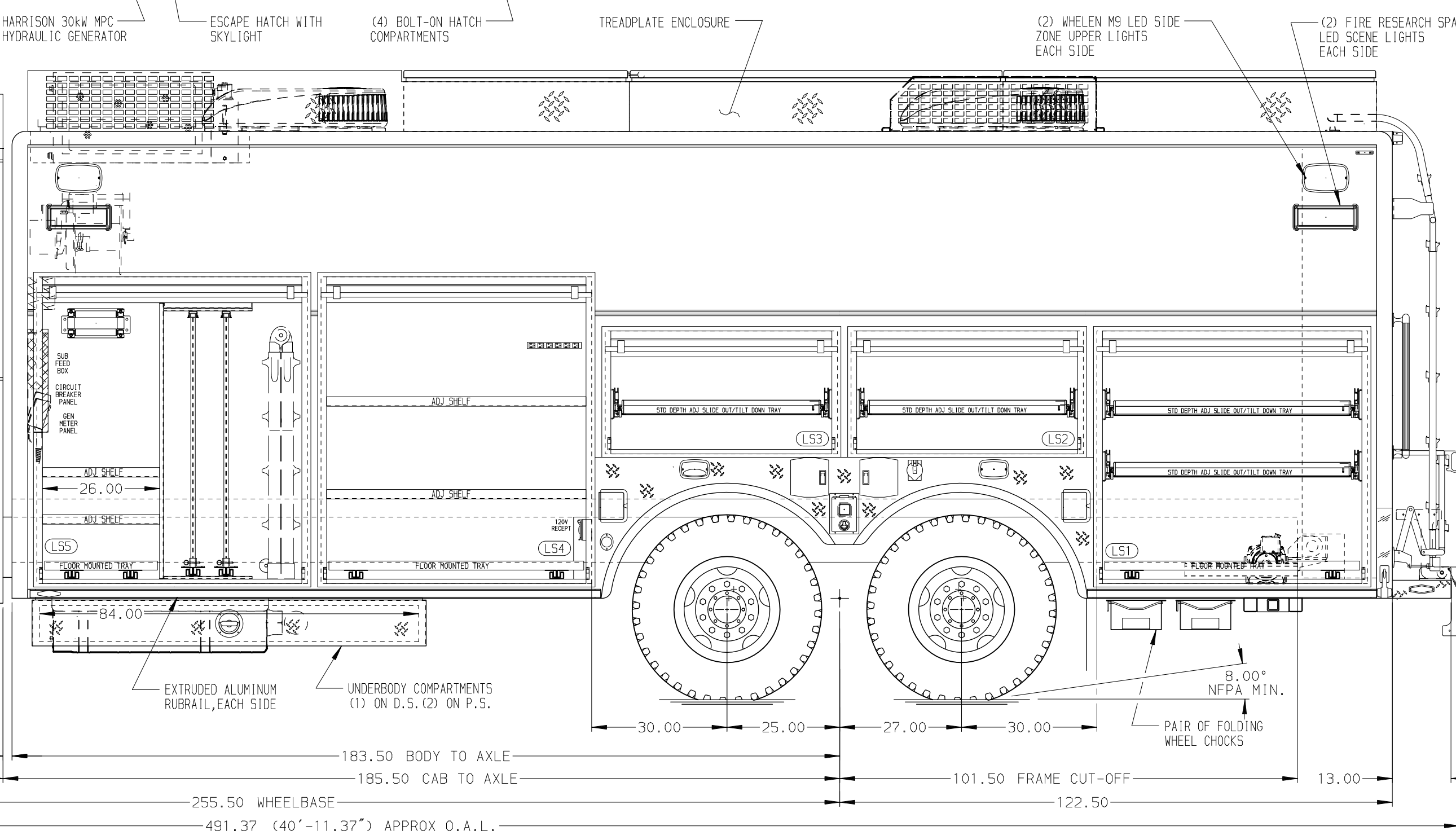


- RIGHT SIDE COMPARTMENTS CONTAIN THE FOLLOWING:**
- COMPARTMENT RS1 CONTAINS:
 - (2) STD DEPTH ADJ SLIDE OUT/TILT TRAYS
 - (1) FLOOR MOUNTED TRAY
 - (1) VERTICAL COMPARTMENT DIVIDER
 - (1) FLOOR MOUNTED TRAY W/TOOLBOARD
 - (1) 15/20A, 120V DUPLEX RECEPTACLE
 - COMPARTMENT RS2 CONTAINS:
 - CARGO RETENTION NETTING
 - COMPARTMENT RS3 CONTAINS:
 - (1) 7-SLOT RACK FOR AIR BAGS
 - (1) 15/20A, 120V DUPLEX RECEPTACLE
 - COMPARTMENT RS4 CONTAINS:
 - (2) STD DEPTH ADJ SHELVES
 - (1) VERTICAL COMPARTMENT DIVIDER
 - (2) FLOOR MOUNTED TRAYS W/TOOLBOARDS
 - (1) 20A, 120V 6-PLACE RECEPTACLE
 - (1) FLOOR MOUNTED TRAY
 - (1) STD DEPTH ADJ SLIDE OUT TRAY
 - (1) 15/20A, 120V DUPLEX RECEPTACLE
 - PEGBOARD ON REAR WALL OF COMPARTMENT
 - COMPARTMENT RS5 CONTAINS:
 - (2) VERTICAL COMPARTMENT DIVIDERS
 - (2) STD DEPTH ADJ SHELVES
 - (1) FIXED SHELF
 - (2) FLOOR MOUNTED TRAYS W/TOOLBOARDS
 - (1) ELECTRIC CORD REEL WITH 200' OF 10/4 YELLOW CORD
 - (1) 15/20A, 120V DUPLEX RECEPTACLE
 - PEGBOARD ON REAR WALL OF COMPARTMENT



- LEFT SIDE COMPARTMENTS CONTAIN THE FOLLOWING:**
- COMPARTMENT LS1 CONTAINS:
 - (2) STD DEPTH ADJ SLIDE OUT/TILT TRAYS
 - (1) FLOOR MOUNTED TRAY
 - COMPARTMENT LS2 CONTAINS:
 - (1) STD DEPTH ADJ SLIDE OUT/TILT TRAY
 - COMPARTMENT LS3 CONTAINS:
 - (1) STD DEPTH ADJ SLIDE OUT/TILT TRAY
 - COMPARTMENT LS4 CONTAINS:
 - (2) STD DEPTH ADJ SHELVES
 - (1) FLOOR MOUNTED TRAY
 - (1) 20A, 120V 6-PLACE RECEPTACLE
 - (1) 15/20A, 120V DUPLEX RECEPTACLE
 - PEGBOARD ON REAR WALL OF COMPARTMENT
 - COMPARTMENT LS5 CONTAINS:
 - (1) KUSSMAUL PUMP PLUS 1200 CHARGER
 - (1) VERTICAL COMPARTMENT DIVIDER
 - (2) STD DEPTH ADJ SHELVES
 - (1) FLOOR MOUNTED TRAY
 - (1) STD DEPTH ADJ SLIDE OUT TOOLBOARD
 - (1) CIRCUIT BREAKER PANEL
 - (1) GENERATOR METER PANEL
 - (1) SUB FEED BOX
 - (1) NIGHT SCAN CONTROLLER
 - (1) ELECTRIC CORD REEL WITH 200' OF 10/4 YELLOW CORD
 - (1) 30A, 120/240V T.L. RECEPTACLE
 - PEGBOARD ON REAR WALL OF COMPARTMENT



NOTE
DIMENSIONS SHOWN ARE APPROXIMATE AND ARE SUBJECT TO MINOR DEVIATIONS AS MAY OCCUR OR BE NECESSARY IN CONSTRUCTION. MINOR DETAILS NOT SHOWN.

- NOTES:**
- AIR INLET WITH DISCONNECT COUPLING LOCATED IN THE DRIVER'S SIDE LOWER STEP WELL OF CAB
 - FLOOR IN CAB AND CREW CAB TO BE PADDED RUBBER
 - BATTERY CHARGE INDICATOR LOCATED BEHIND CAB DOOR
 - DAVID CLARK 9 POSITION INTERCOM SYSTEM
 - JUMPER STUDS IN DRIVER'S SIDE STEP OF CAB
 - TURTLE TILE ON ALL COMPARTMENT FLOORS, HATCH FLOORS, AND SHELVES
 - 15/20A, 120V DUPLEX RECEPTACLE LOCATED ON ENGINE TUNNEL
 - POLISHED S/S SCUFFPLATES ON CAB AND CREW CAB DOOR JAMBS
 - ALUMINUM TREADPLATE ON REAR FENDER PANELS

MAXIMUM O.A.H. 12'-0"
MAXIMUM O.A.L. 41'-0"
SIDE ROLL AND FRONTAL IMPACT PROTECTION

CLEAR DOOR WIDTH KEY		CHASSIS DATA	
AMOR ROLL UP DOORS:	-2 1/4"	220CT19	DHE CDK
CURTAIN ROLL UP DOORS:	-2 1/2"	06SEP19	DHE CDK
PIERCE DOUBLE LAP DOORS:	-4 1/4"	06AUG19	DHE CDK
PIERCE LIFT-UP LAP DOORS:	-1 1/2"		
(EX: 60" F-F - 2 1/4" = 57 3/4" CLEAR)			
(F-F) = FRAME TO FRAME			

Pierce MANUFACTURING INC.		JOB NO.	33934
		SCALE	1:24
		DATE	
TITLE	HEAVY DUTY RESCUE WALKIN	DRAWN BY	DHE
FOR	CITY OF INDIANAPOLIS INDIANAPOLIS, IN	CHECKED BY	CDK
DWG NO.	33934AD-SH1	SHEET SIZE	D
		SHEET NO.	1 OF 1