

**RIGHT SIDE COMPARTMENTS CONTAIN THE FOLLOWING:**

**COMPARTMENT R51 CONTAINS:**  
 - (2) STD DEPTH ADJ SLIDE OUT/TILT TRAY  
 - (1) STD DEPTH FLOOR MOUNTED TRAY WITH SIDE SLIDES  
 - (1) ELECTRIC CORD REEL WITH 200' OF 10/3 YELLOW CORD EACH  
 - (1) LOW PRESSURE AIR REEL W/150' OF HOSE  
 - (1) SLIDE OUT ROLLER GUIDE BRACKET

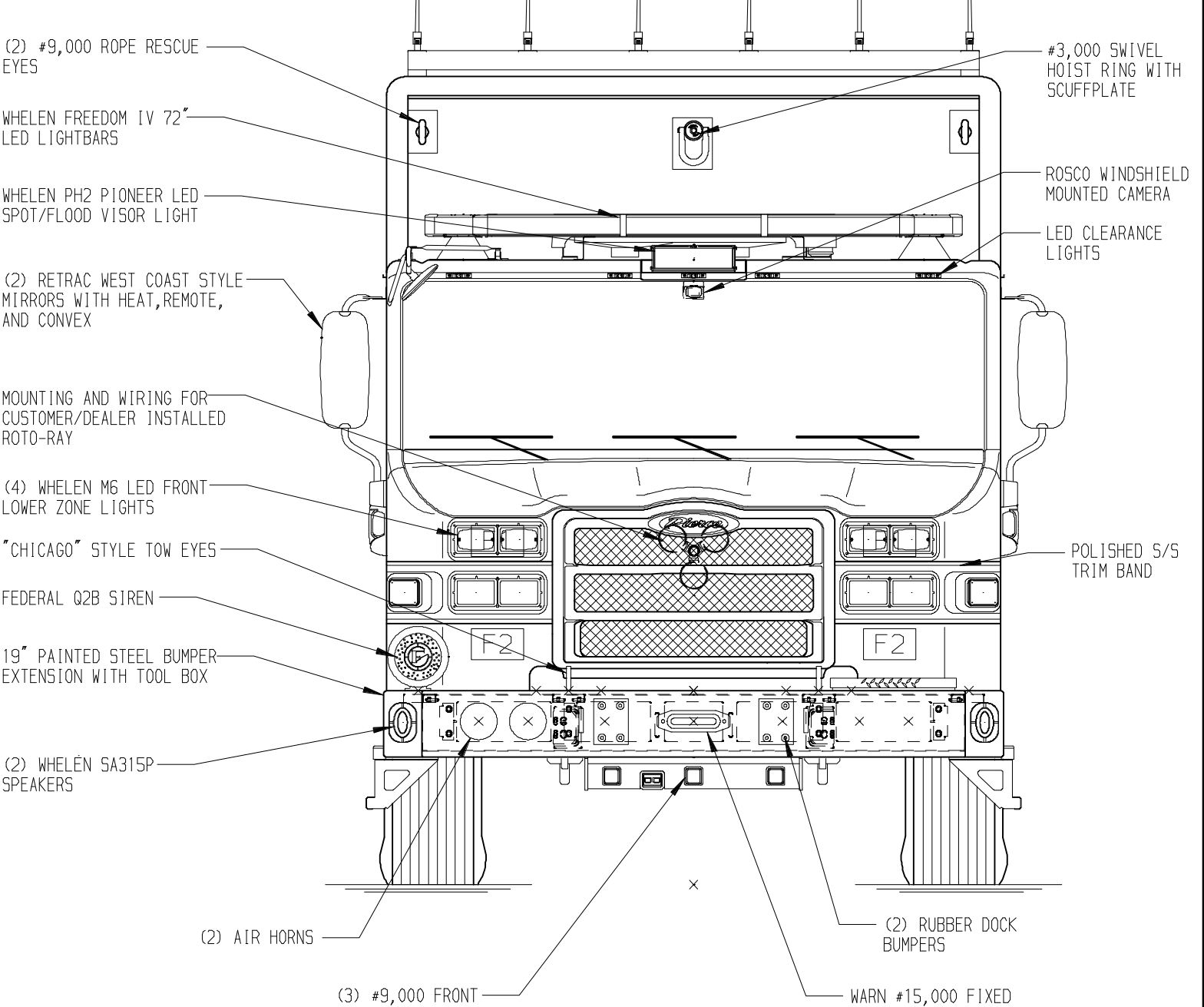
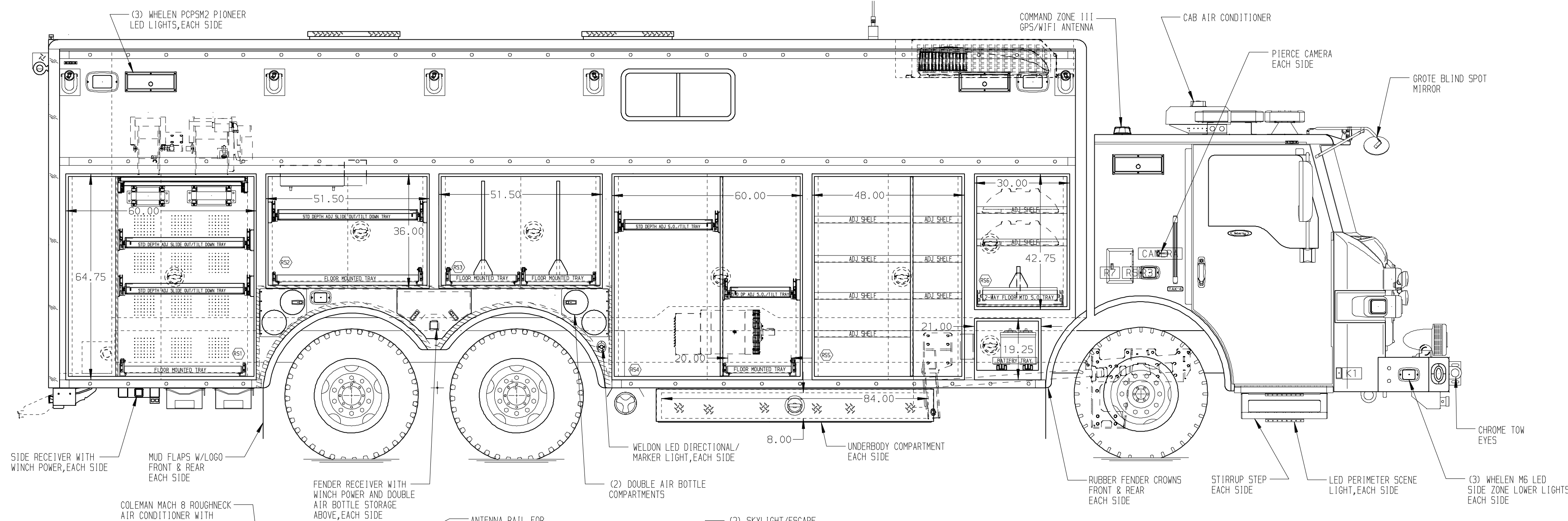
**COMPARTMENT R52 CONTAINS:**  
 - (1) STD DEPTH ADJ SLIDE OUT/TILT TRAY  
 - (1) STD DEPTH FLOOR MOUNTED TRAY WITH SIDE SLIDES  
 - COMMAND ZONE POWER DISTRIBUTION BOX

**COMPARTMENT R53 CONTAINS:**  
 - (2) STD DEPTH FLOOR MOUNTED TRAYS WITH SIDE SLIDES AND TOOLBOARDS

**COMPARTMENT R54 CONTAINS:**  
 - (1) VERTICAL PEGBOARD DIVIDER  
 - (1) STD DEPTH FLOOR MOUNTED TRAY WITH SIDE SLIDES  
 - (2) STD DEPTH ADJ SLIDE OUT/TILT TRAYS

**COMPARTMENT R55 CONTAINS:**  
 - (1) VERTICAL PEGBOARD DIVIDER  
 - (2) 2-WAY ADJ SHELVES  
 - (1) PD2180 BATTERY CHARGER/POWER CONVERTER (LOWER)

**COMPARTMENT R56 CONTAINS:**  
 - (2) 2-WAY ADJ SHELVES  
 - (1) 2-WAY FLOOR MOUNTED SLIDE OUT TRAY WITH 10" H DIVIDER



**REAR COMPARTMENTS CONTAIN THE FOLLOWING:**

**COMPARTMENT B1 CONTAINS:**  
 - (3) ADJUSTABLE SHELVES  
 - ALUMINUM PEGBOARD ON FRONT, BACK AND REAR WALL OF COMPARTMENT

**COMPARTMENT B2 CONTAINS:**  
 - ALUMINUM PEGBOARD ON FRONT, BACK AND REAR WALL OF COMPARTMENT

**LEFT SIDE COMPARTMENTS CONTAIN THE FOLLOWING:**

**COMPARTMENT L51 CONTAINS:**  
 - ALUMINUM PEGBOARD ON FRONT, BACK AND REAR WALL OF COMPARTMENT  
 - (1) FLOOR MOUNTED TRAY W/SIDE SLIDES  
 - (1) STD DEPTH ADJ SLIDE OUT/TILT TRAY  
 - (1) ELECTRIC CORD REEL WITH 200' OF 10/3 YELLOW CORD EACH  
 - (1) LOW PRESSURE AIR REEL W/150' OF HOSE  
 - (1) SLIDE OUT ROLLER GUIDE BRACKET

**COMPARTMENT L52 CONTAINS:**  
 - (1) STD DEPTH ADJ SLIDE OUT/TILT TRAY  
 - (1) RACK FOR 12 AIR BAGS

**COMPARTMENT L53 CONTAINS:**  
 - (1) VERTICAL PEGBOARD DIVIDER  
 - (3) STD DEPTH ADJ SHELVES

**COMPARTMENT L54 CONTAINS:**  
 - (1) VERTICAL PEGBOARD DIVIDER  
 - (1) STD DEPTH FLOOR MOUNTED TRAY WITH SIDE SLIDES  
 - (2) WHELEN M6 LED DIRECTIONAL LIGHTS  
 - (2) STD DEPTH FLOOR MOUNTED TRAYS WITH SIDE SLIDES AND TOOLBOARDS

**COMPARTMENT L55 CONTAINS:**  
 - (1) HORIZONTAL FLOOR EXTENSION  
 - (4) STD DEPTH ADJ SHELVES  
 - (1) STD DEPTH FLOOR MOUNTED TRAY WITH SIDE SLIDES  
 - (1) VERTICAL PEGBOARD DIVIDER  
 - (1) CIRCUIT BREAKER PANEL  
 - (1) KUSSMAUL 1200 CHARGER  
 - (1) GENERATOR METER PANEL  
 - ALUMINUM PEGBOARD ON BACK WALL  
 - (2) PD2180 BATTERY CHARGERS/POWER CONVERTERS (LOWER)  
 - (1) KUSSMAUL 120V BRAKE SYSTEM COMPRESSOR

**COMPARTMENT L56 CONTAINS:**  
 - (2) 2-WAY ADJ SHELVES  
 - (1) 2-WAY FLOOR MOUNTED SLIDE OUT TRAY WITH 10" H DIVIDER

**NOTE**  
 DIMENSIONS SHOWN ARE APPROXIMATE AND ARE SUBJECT TO MINOR DEVIATIONS AS MAY OCCUR OR BE NECESSARY IN CONSTRUCTION.  
 MINOR DETAILS NOT SHOWN.

**NOTES:**  
 1. AIR INLET/OUTLET WITH DISCONNECT FITTING LOCATED IN DRIVER'S SIDE LOWER STEP WELL OF CAB  
 2. POLISHED 5/5 TRIM BAND ON CAB DOORS  
 3. FLOOR IN CAB TO BE ALUMINUM TREADPLATE  
 4. BATTERY CHARGE INDICATOR LOCATED ON THE DRIVER'S SEAT WITH BRACKET  
 5. PIERCE LED STRIP LIGHTS LOCATED IN ALL BODY COMPARTMENTS  
 6. ONSPOT AUTOMATIC TIRE CHAINS  
 7. DAVID CLARK INTERCOM SYSTEM  
 8. ONAN 25kW SINGLE PHASE P10 DRIVEN GENERATOR LOCATED BETWEEN THE FRAME RAILS  
 9. BRUSHED 5/5 SCUFFPLATES ON REAR BODY CORNERS

(SIDE ROLL AND FRONTAL IMPACT PROTECTION)

CLEAR DOOR WIDTH KEY		20DEC19	DHE	CDK	CHASSIS DATA
AMJOR ROLL UP DOORS:	-2 1/4"	09DEC19	DHE	CDK	MAKE
PORTITE ROLL UP DOORS:	-2 1/2"	30OCT19	DHE	CDK	PIERCE
PIERCE DOUBLE LIP DOORS:	-4 1/4"	24OCT19	DHE	CDK	MODEL
PIERCE LIFT-UP LAP DOORS:	-1 1/2"	30AUG19	DHE	CDK	VX1500
(EX: 60" F-F - 2 1/4" = 57 3/4" CLEAR)		REV	DATE	BY	CH

		JOB NO.	33970
		SCALE	DATE
TITLE	HEAVY DUTY RESCUE WALKIN/NON-WALKIN COMBO	DRAWN BY	DHE 13AUG19
FOR	WICHITA FIRE DEPARTMENT WICHITA, KS	CHECKED BY	CDK 21AUG19
DWG NO.	33970AD-SH1	SHEET SIZE	SHEET NO.
		D	1 OF 1