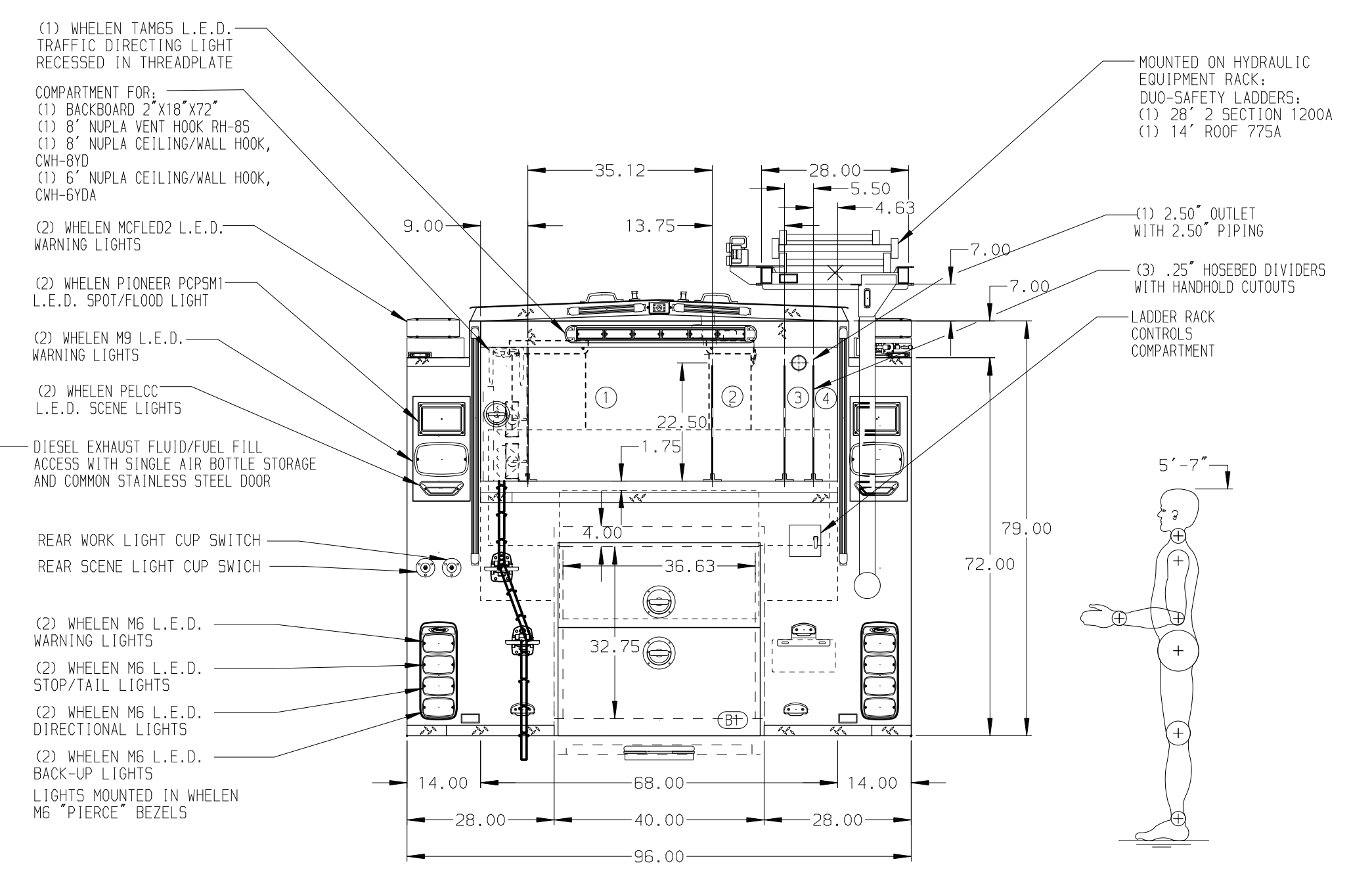
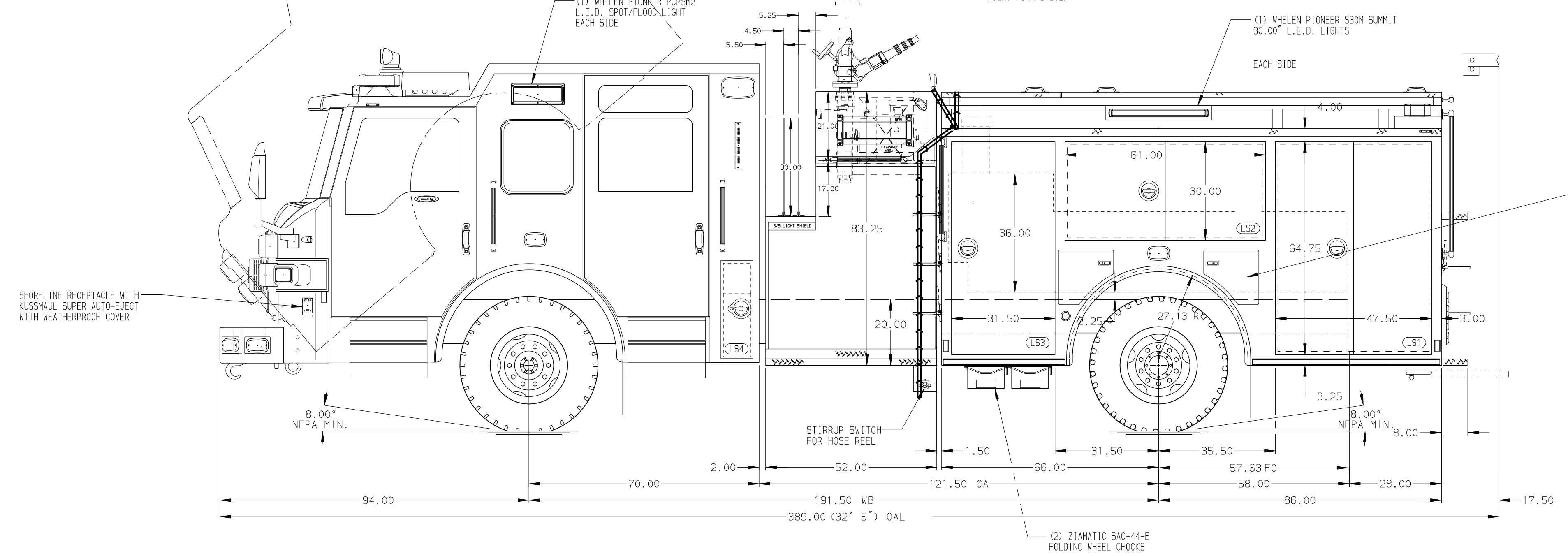


HOSEBED CAPACITIES

1	800' OF 5.00" HOSE
2	500' OF 2.50" HOSE
3	250' OF 2.50" HOSE
4	250' OF 2.50" HOSE



GALVANNEAL MAXIMUM O.A.L. 419.00" MAXIMUM O.A.H. 122.00" SIDE ROLL AND FRONTAL IMPACT PROTECTION

NOTE
DIMENSIONS SHOWN ARE APPROXIMATE AND ARE SUBJECT TO MINOR DEVIATIONS AS MAY OCCUR OR BE NECESSARY IN CONSTRUCTION. MINOR DETAILS NOT SHOWN.

- VOSEL LUBE SYSTEM PUMP LOCATED PER SHOP ORDER
- KUSSMAUL BATTERY CHARGER LOCATED IN COMPARTMENT LS3
- S/SIL SCUFFPLATES AT CAB DOOR JAMBS
- BATTERY CHARGE INDICATOR LOCATED NEAR DRIVER'S SEAT RISER WITH BRACKET
- REVERSED HINGED DOOR ON COMPARTMENT LS3
- DRIP PAN GUARD FOR ROLL-UP DOOR LOCATED IN B1
- ONE FULL WIDTH/DEPTH ADJUSTABLE SHELF IN COMPARTMENTS LS1,LS3,RS3,B1; TWO IN RS1
- ONE FLOOR MOUNTED SLIDE-OUT TRAY IN COMPARTMENT RS3
- SWING-OUT TOOL BOARD WITH PEGBOARD PATTERN IN COMPARTMENT LS1
- DRAIN HOLE WITH SPLASH GUARD LOCATED IN PIKE POLE COMPARTMENTS
- ALL BODY COMPARTMENTS WITH LOUVERS SHALL HAVE A REMOVABLE FILTER
- LOUVERS IN COMPARTMENT B1
- PARTITION BETWEEN COMPARTMENTS LS1/B1 AND RS1/B1
- ONE AIR BOTTLE HOLDER IN COMPARTMENTS LS2,RS2
- PLUMBING DIAGRAM REQUIRED
- AIR INLET WITH DISCONNECT COUPLING LOCATED ON D.S. SEAT RISER
- DUST FILTERS IN ALL BODY COMPARTMENTS

REV	DATE	BY	CH	VELOCITY	MODEL	MAKE	CHASSIS DATA
06DEC19	LME	JJR					
03OCT19	LME	JJR					
04SEP19	LME	SMA			PIERCE		
14JUN19	LME	JBL					

		JOB NO.	33990
		SCALE	1:24
TITLE 1500-D-500P 152 BODY FULL HEIGHT FRONT & REAR, FDLER, HYD LADDER RACK, 30G FOAM CELL, HUSKY 12		DATE	
		DRAWN BY	LME
FOR CITY OF MESA FIRE DEPARTMENT MESA, ARIZONA		CHECKED BY	SMA
		DATE	10JUN19
DWG NO. 33990AD		SHEET SIZE	D
		SHEET NO.	1 OF 1