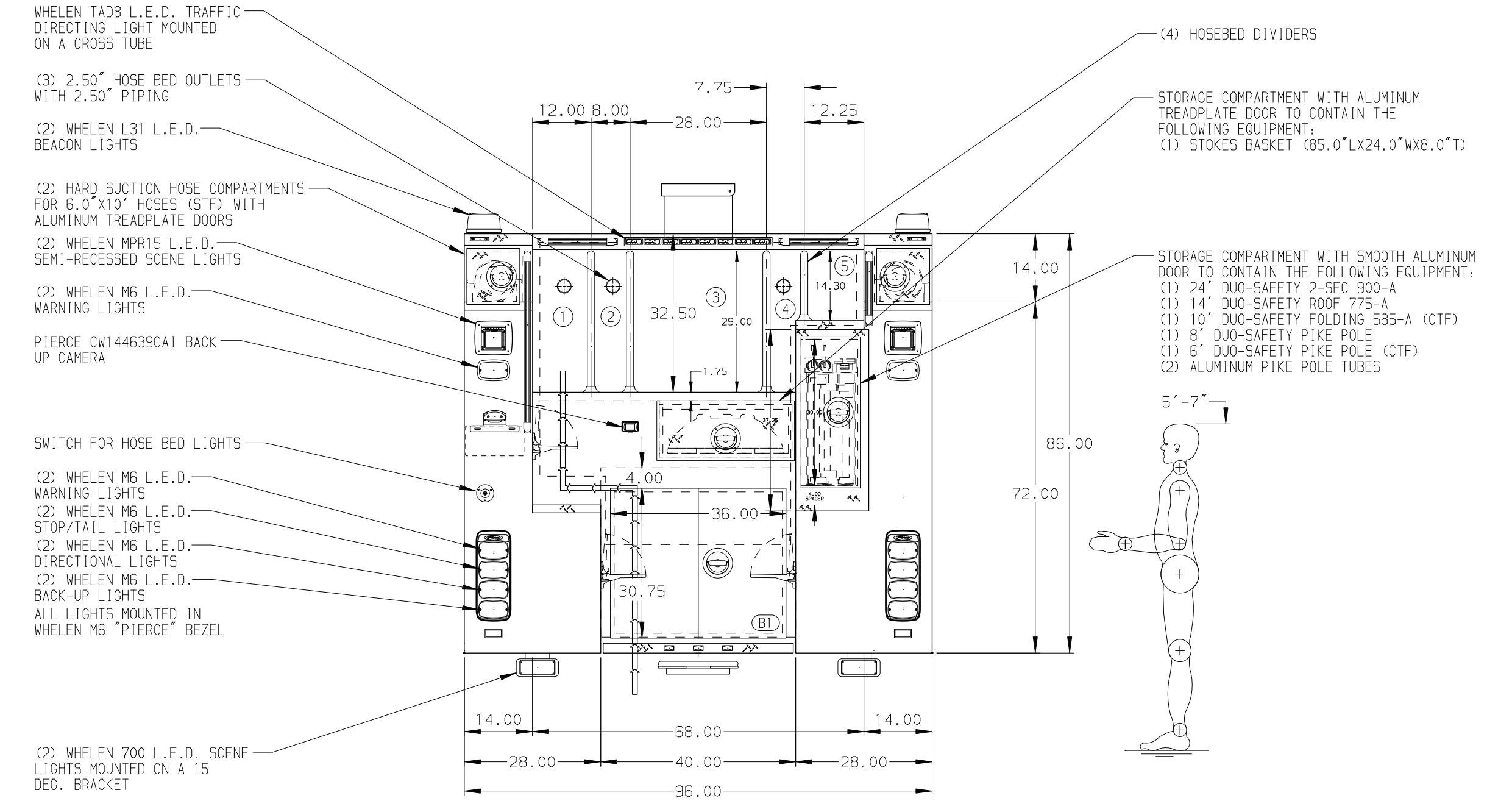
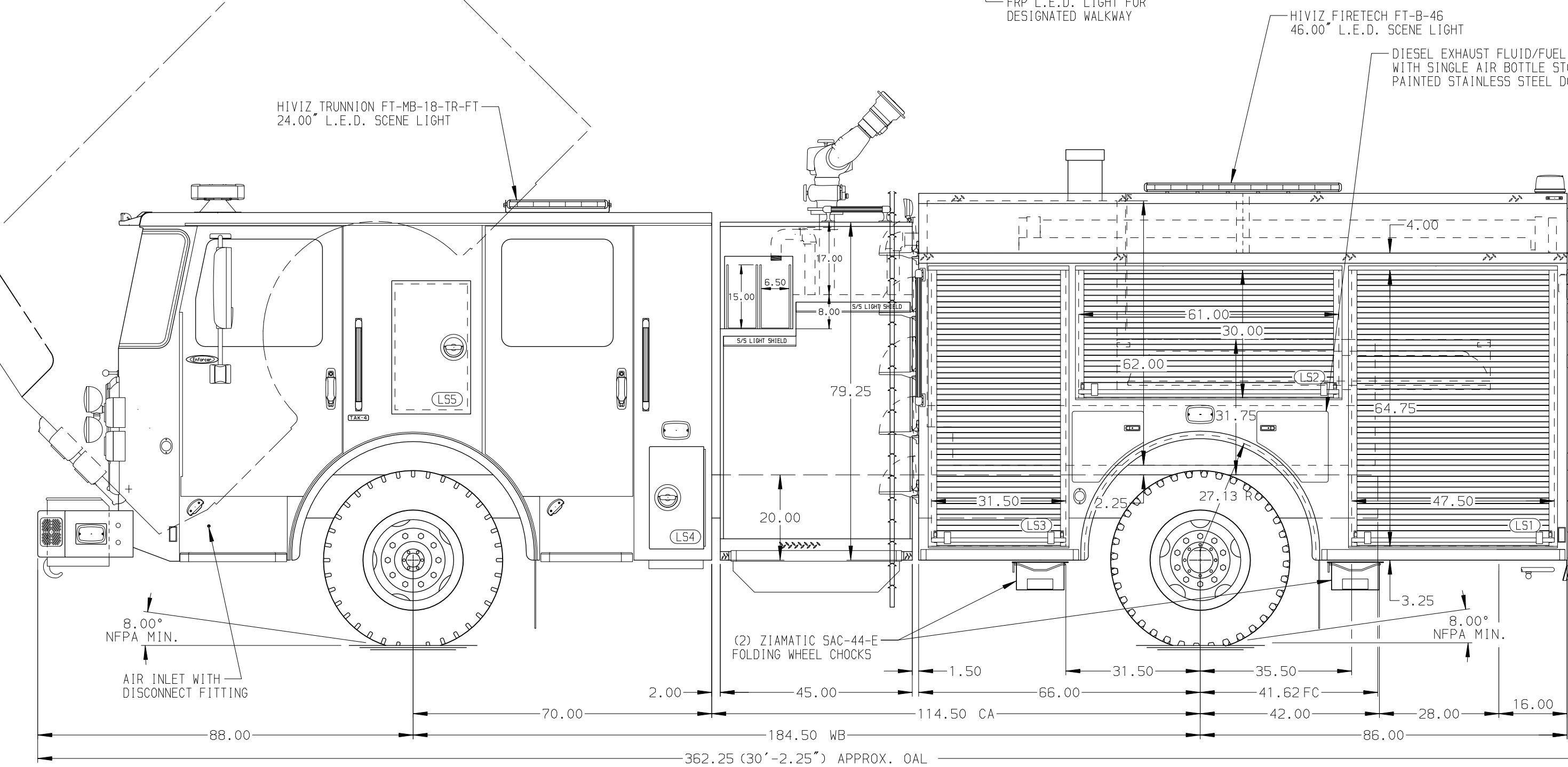


- HOSEBED CAPACITIES
- ① 400' OF 2.50" D.J. POLY HOSE (PRECONNECTED)
 - ② 250' OF 1.75" D.J. POLY HOSE (PRECONNECTED)
 - ③ 750' OF 5.00" D.J. POLY HOSE
 - ④ 250' OF 1.75" D.J. POLY HOSE (PRECONNECTED)
 - ⑤ 200' OF 2.50" D.J. POLY HOSE



ALUMINUM BODY

NOTE
DIMENSIONS SHOWN ARE APPROXIMATE AND ARE SUBJECT TO MINOR DEVIATIONS AS MAY OCCUR OR BE NECESSARY IN CONSTRUCTION. MINOR DETAILS NOT SHOWN.

- 1. SINGLE POINT LUBE SYSTEM LOCATED PER SHOP ORDER
- 2. BATTERY CHARGER LOCATED IN COMPARTMENT-L53
- 3. BATTERY CHARGER INDICATOR LOCATED ON DRIVER SIDE SEAT RISER
- 4. 120V SHORELINE RECEPTACLE LOCATED ON DRIVER SIDE SEAT RISER
- 5. ONE ADJUSTABLE SHELF WITH SIDES IN COMPARTMENT-L51, L52, L53, R51, R52, R53
- 6. ONE FLOOR MOUNTED SLIDE-OUT TRAY WITH SIDES IN COMPARTMENT-L51, L53, R51, R53, B1
- 7. PAC TRAC EQUIPMENT MOUNTING SYSTEM ON THE REAR WALL IN COMPARTMENT-L51, L52, L53, R51, R52, R53
- 8. ONE 120V DUPLEX RECEPTACLE IN EACH EMS CABINET
- 9. ONE 120V DUPLEX RECEPTACLE IN COMPARTMENT-L51, L52, L53, R51, R52, R53

REV	DATE	BY	CH	ENFORCER
▽	08NOV19	BST	AZA	MAKE
▽	16OCT19	BST	AZA	PIERCE
▽	27JUN19	BST	CKN	MODEL

		JOB NO.	34030
		SCALE	DATE
CHASSIS DATA TITLE 2000-D-750P, 152" PUMPER BODY, DELUGE, (2) CROSSLAYS LADDERS BETWEEN TANK AND BODY FOR CITY OF CORNING CORNING, NY DWG NO.	DRAWN BY BST 18JUN19 CHECKED BY CKN 21JUN19 SHEET SIZE D SHEET NO. 1 OF 1	PIERCE MANUFACTURING INC.	
		34030AD	