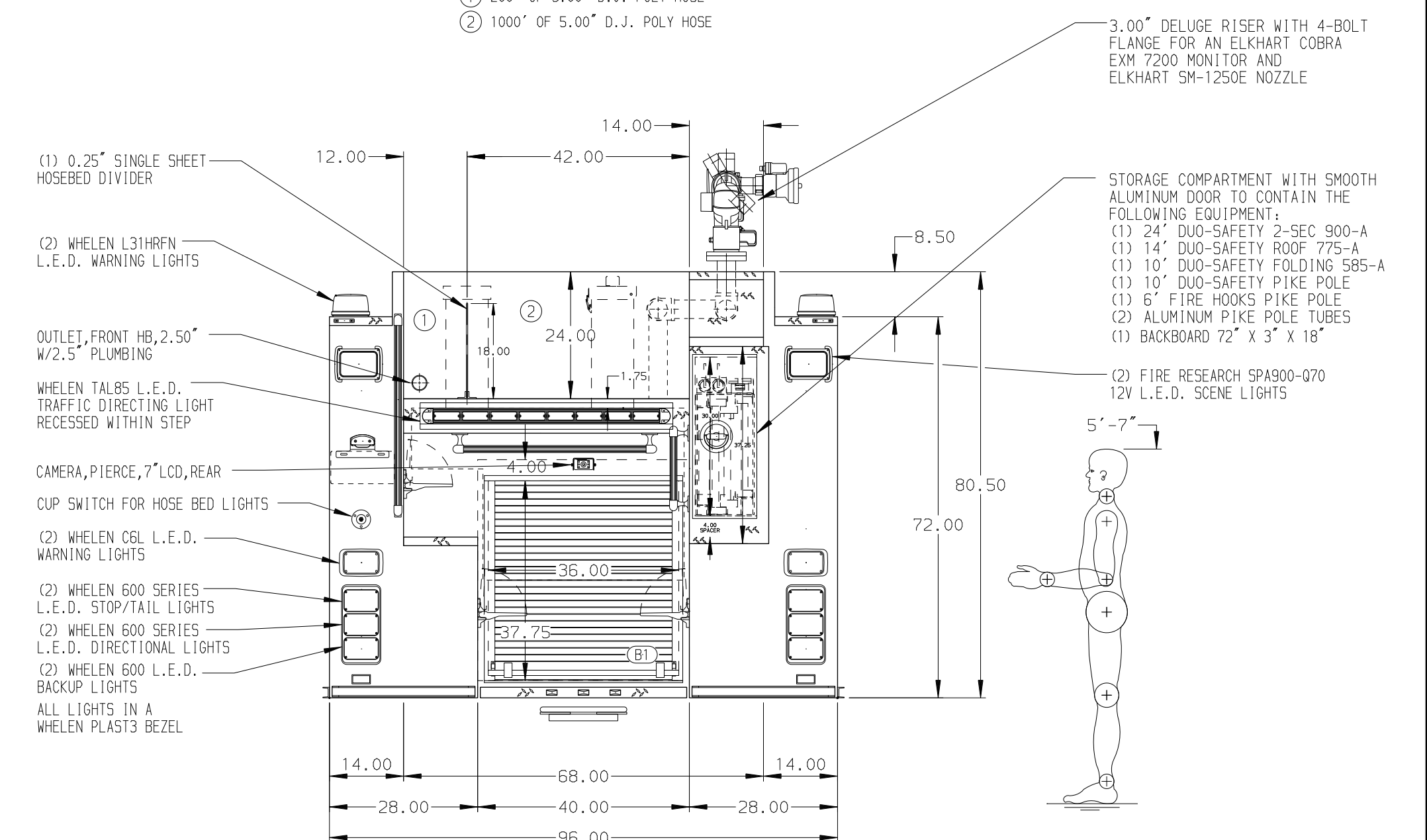


- HOSEBED CAPACITIES
- ① 200' OF 3.00" D.J. POLY HOSE
  - ② 1000' OF 5.00" D.J. POLY HOSE



ALUMINUM BODY

SIDE ROLL AND FRONTAL IMPACT PROTECTION

NOTE  
DIMENSIONS SHOWN ARE APPROXIMATE AND ARE SUBJECT TO MINOR DEVIATIONS AS MAY OCCUR OR BE NECESSARY IN CONSTRUCTION. MINOR DETAILS NOT SHOWN.

		JOB NO.	34032
		SCALE	1:24
TITLE 1750-D-530P, 500G WATER W/30G FOAM, DELUGE, HUSKY 3 152" PUMPER BODY, LADDERS BETWEEN TANK AND BODY		DATE	
		DRAWN BY	KLE
MAKE PIERCE		CHECKED BY	NPA
		DATE	03JUN19
MODEL SABER FR		CHECKED BY	NPA
		DATE	05JUN19
DWG NO. 34032AD		SHEET SIZE	D
		SHEET NO.	1 OF 1