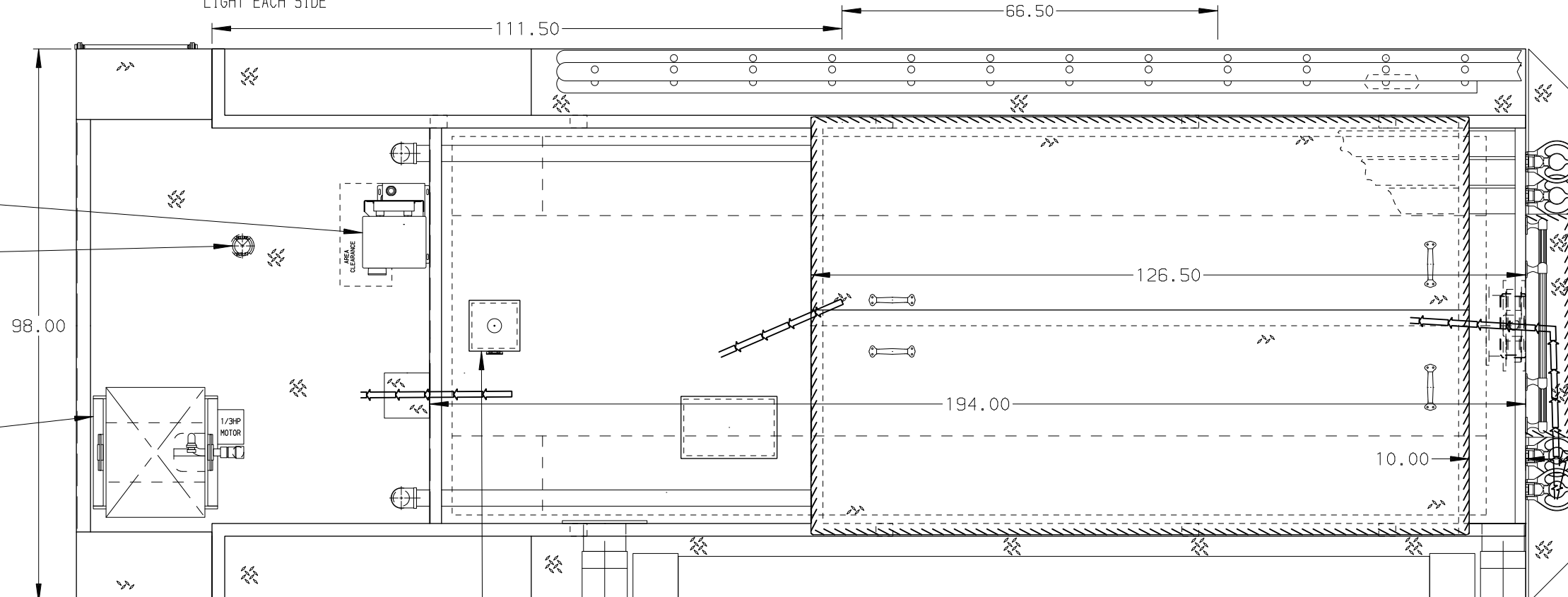
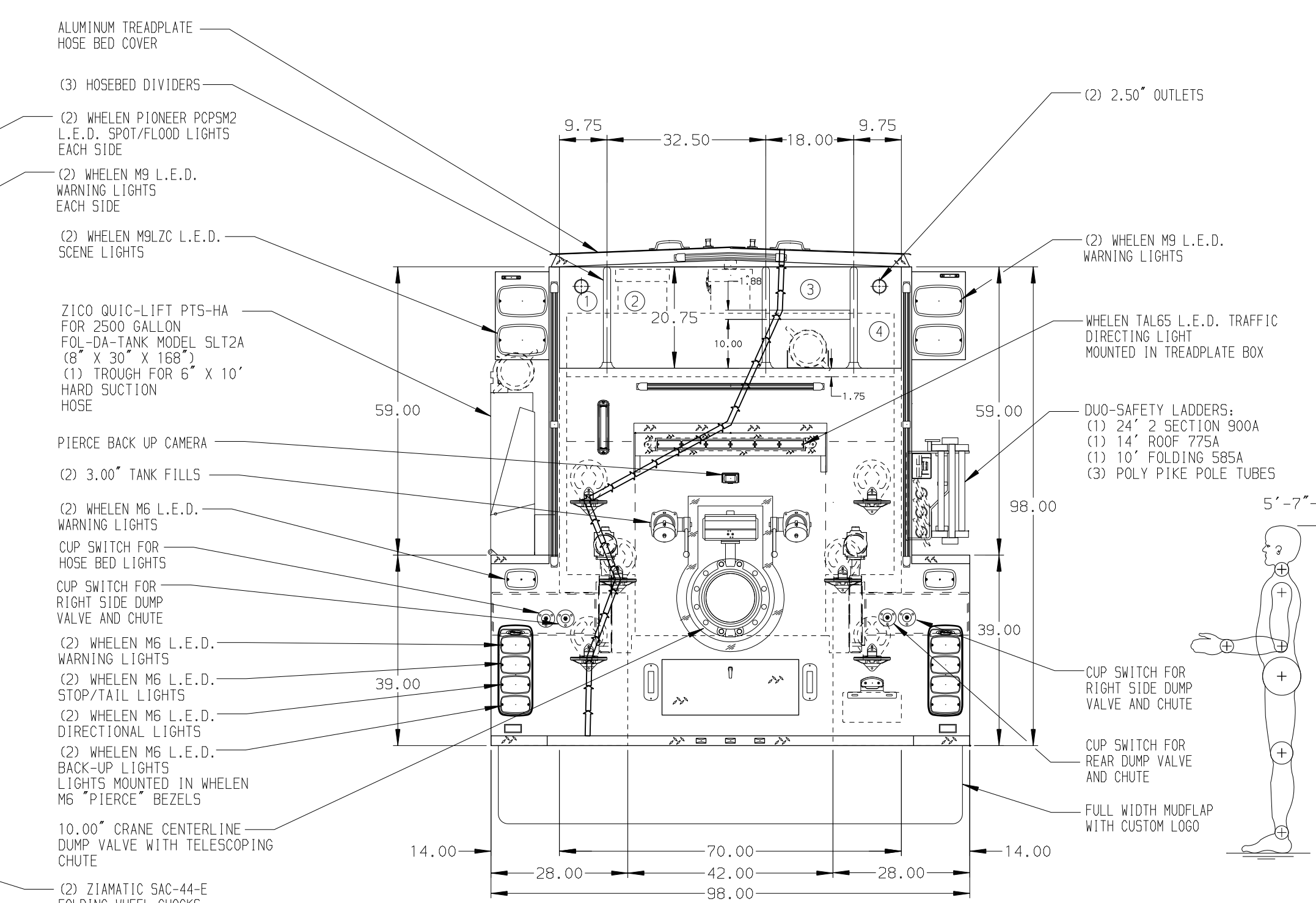
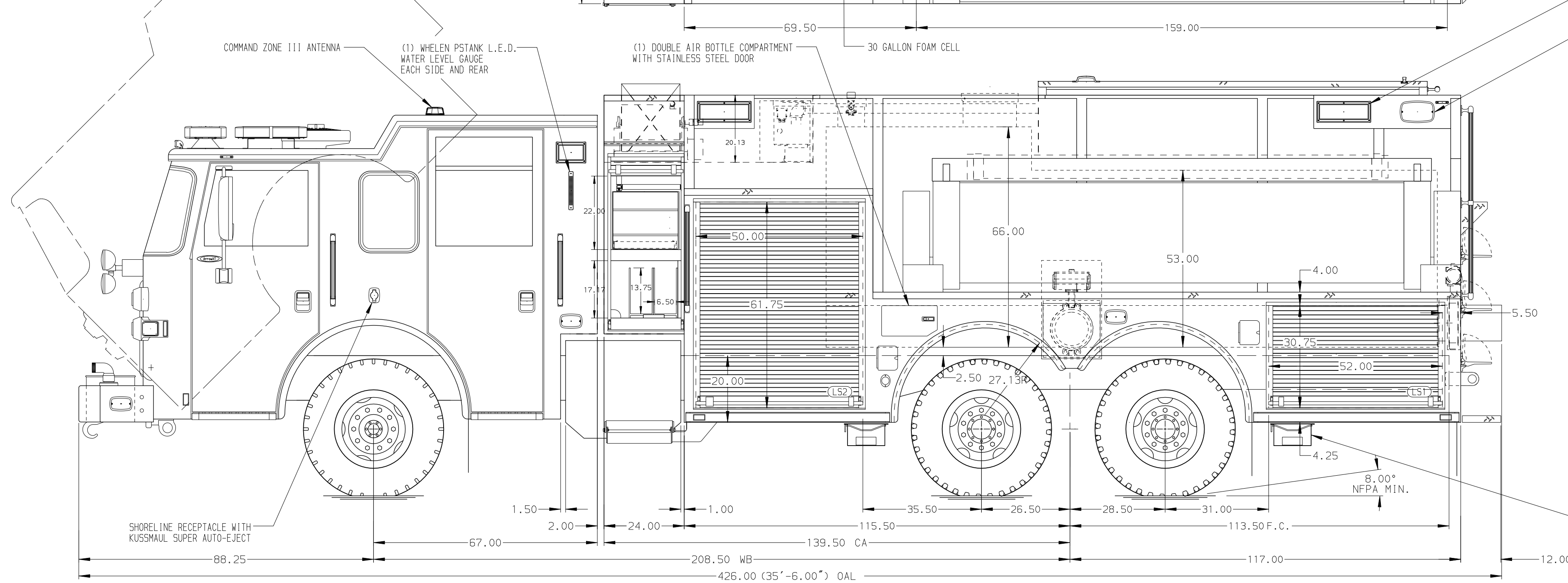


128.00
(10'-8")
APPROX
O.A.H.



- HOSEBED CAPACITIES
- ① 300' OF 2.50" D.J. POLY HOSE
 - ② 1000' OF 4.00" D.J. POLY HOSE
 - ③ 250' OF 3.00" D.J. POLY HOSE
 - ④ 200' OF 2.50" D.J. POLY HOSE W/200' OF 1.75" D.J. POLY HOSE



ALUMINUM BODY

SIDE ROLL AND FRONTAL IMPACT PROTECTION

NOTE
DIMENSIONS SHOWN ARE APPROXIMATE AND ARE SUBJECT TO MINOR DEVIATIONS AS MAY OCCUR OR BE NECESSARY IN CONSTRUCTION. MINOR DETAILS NOT SHOWN.

- 1. BATTERY CHARGER LOCATED BEHIND DRIVER'S SEAT
 - 2. BATTERY CHARGE INDICATOR LOCATED NEAR DRIVER'S SEAT RISER WITH BRACKET
 - 3. DUAL L.E.D. LIGHT STRIPS LOCATED IN HOSE BED
 - 4. ONE FULL WIDTH/DEPTH ADJUSTABLE SHELF IN COMPARTMENTS L51,RS1,TWO IN RS2,THREE IN L52
 - 5. ONE FLOOR MOUNTED SLIDE-OUT TRAY IN COMPARTMENTS L51,RS1
- AIR INLET WITH DISCONNECT COUPLING LOCATED IN D.S. STEP WELL

REV	DATE	BY	CH	ARROW XT
1	150CT19	JWO	DTS	CHASSIS DATA
2	140CT19	KOU	NPE	MAKE
3	19SEP19	JWO	DTS	PIERCE
4	02JUL19	JWO	NPE	MODEL

		JOB NO.	34053
		SCALE	1:24
TITLE	1500-D-2370P W/30G FOAM,232",LOW DS,FULL HEIGHT PS (2) X-LAYS,DELUGE,BOOSTER REEL	DRAWN BY	JWO
FOR	THE PLAINS VOLUNTEER FIRE DEPARTMENT YORKTOWN, VIRGINIA	CHECKED BY	CDU
DWG NO.	34053AD	SHEET SIZE	D
		SHEET NO.	1 OF 1