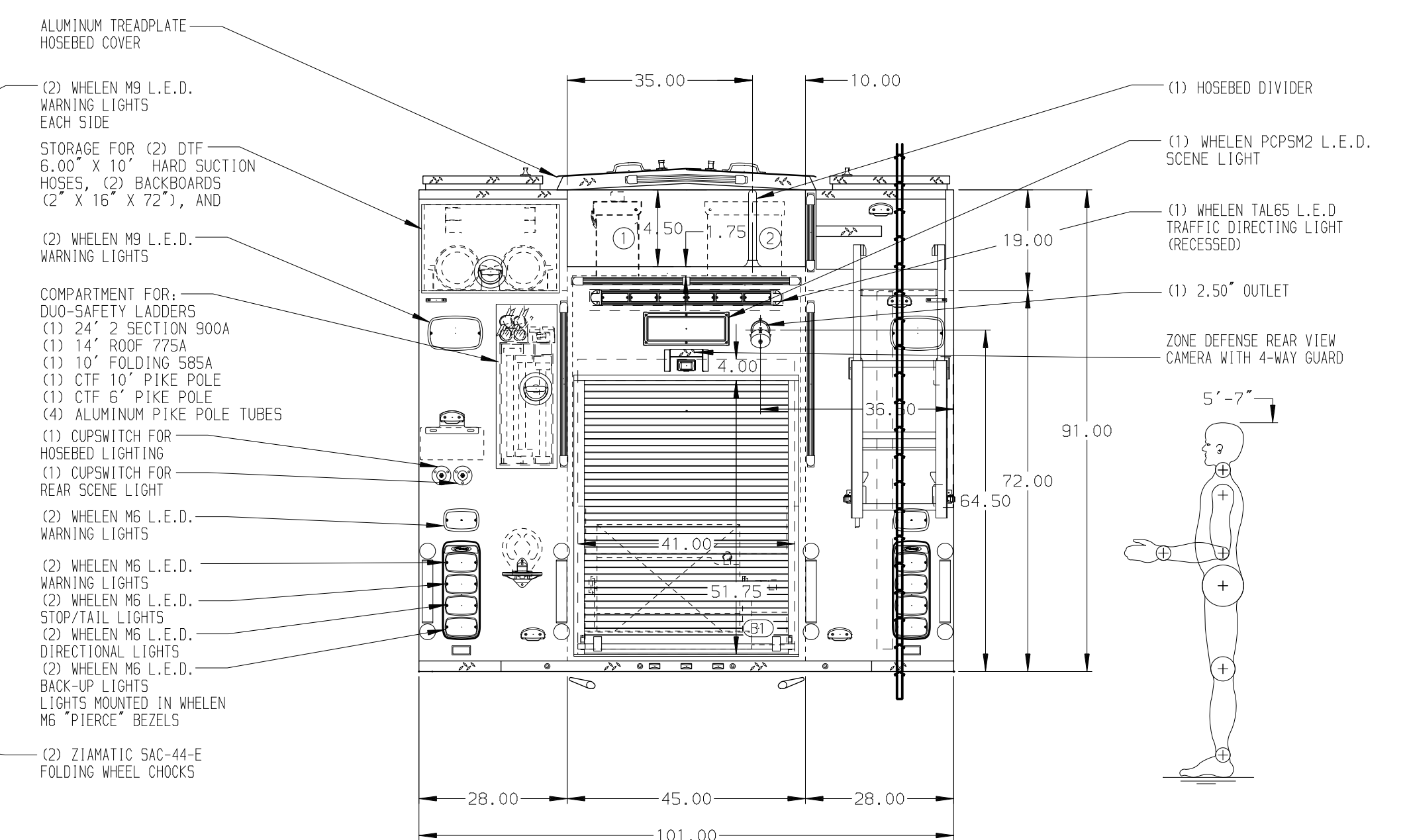
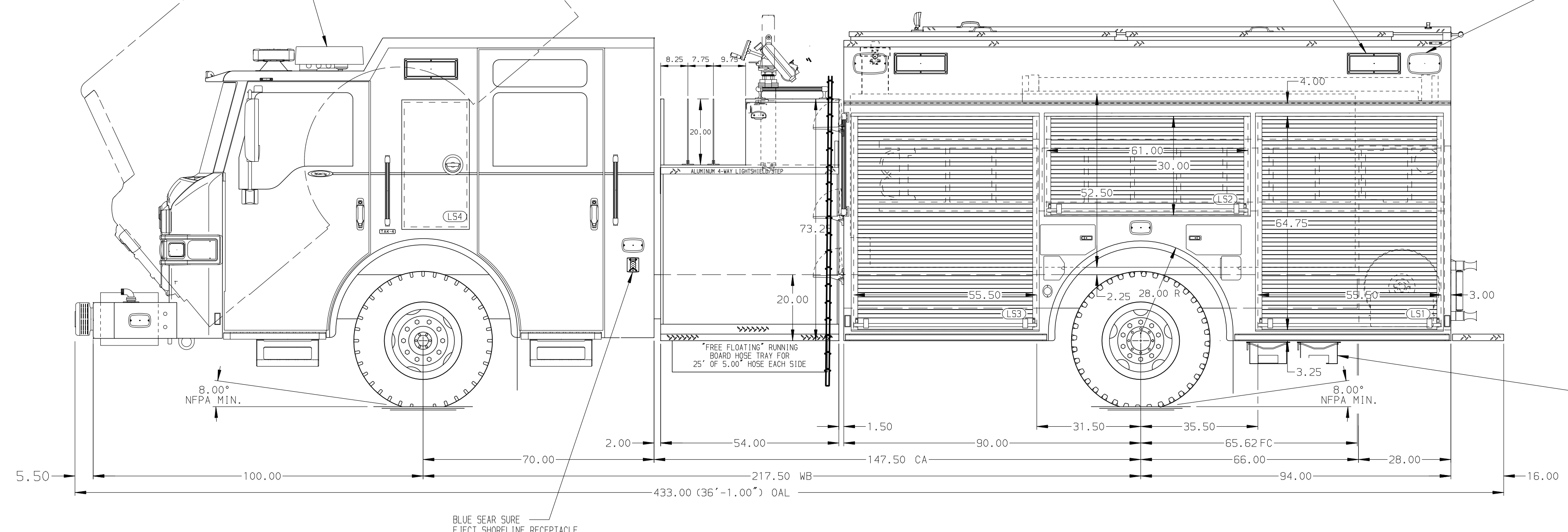


HOSEBED CAPACITIES

① 960' OF 5.00" D.J. POLY HOSE

② 288' OF 2.50" D.J. POLY HOSE



ALUMINUM BODY

MAXIMUM O.A.H. 127.00"

SIDE ROLL & FRONTAL IMPACT PROTECTION

NOTE  
DIMENSIONS SHOWN ARE APPROXIMATE AND ARE SUBJECT TO MINOR DEVIATIONS AS MAY OCCUR OR BE NECESSARY IN CONSTRUCTION. MINOR DETAILS NOT SHOWN.

- BATTERY CHARGE INDICATOR LOCATED NEAR D.S. SEAT RISER WITH BRACKET
- ONE L.E.D. LIGHT STRIP LOCATED ON EACH SIDE IN THE HOSEBED
- AIR INLET W/ DISCONNECT FITTING LOCATED IN DRIVERS STEP AREA

REV	DATE	BY	CH	VELOCITY
17SEP19	AMI	CHR		CHASSIS DATA
11SEP19	AMI	KOU		PIERCE
23AUG19	AMI	CHR		MODEL

		JOB NO.	34084
		SCALE	DATE
TITLE	1500-D-1275P 1250 WATER, 25 FOAM CELL, 184" HDRP (3)CROSSLAYS, DELUGE, BOOSTER REEL, HSH COMPT LS	DRAWN BY	AMI
FOR	HARRIS COUNTY #10 (EASTEX FIRE RESCUE) HOUSTON, TEXAS	CHECKED BY	KOU
DWG NO.	34084AD-SH1	SHEET SIZE	SHEET NO.
		D	1 OF 2