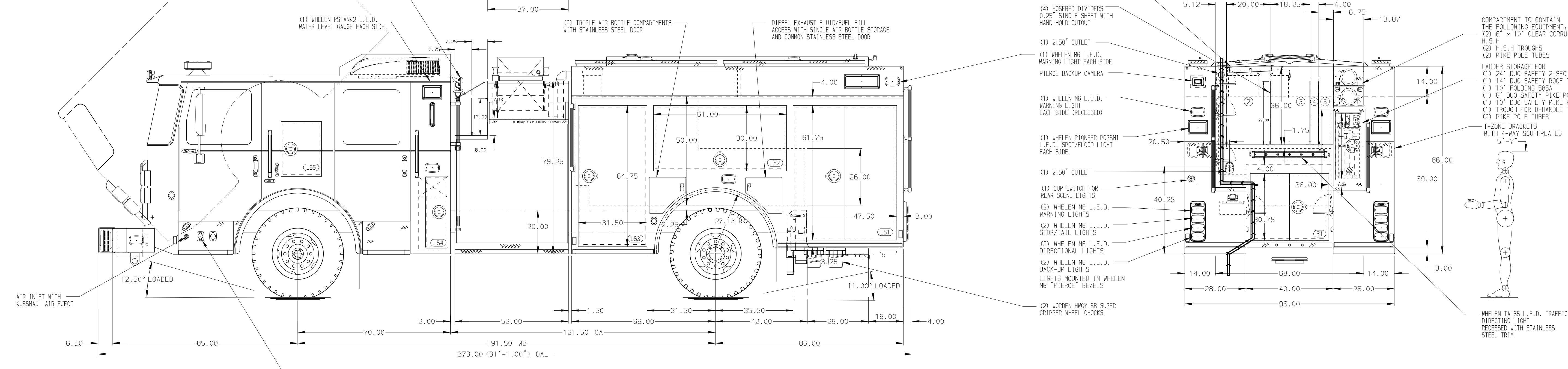


- HOSEBED CAPACITIES
- ① - 200' OF 2.50" HOSE
 - ② - 650' OF 4.00" LARGE DIAMETER HOSE
 - ③ - 600' OF 2.50" HOSE
 - ④ - (2) 100' OF 1.75" HOSE BUNDLES
 - ⑤ - 400' OF 1.75" HOSE



ALUMINUM BODY

SIDE ROLL AND FRONTAL IMPACT PROTECTION

NOTE
DIMENSIONS SHOWN ARE APPROXIMATE AND ARE SUBJECT TO MINOR DEVIATIONS AS MAY OCCUR OR BE NECESSARY IN CONSTRUCTION. MINOR DETAILS NOT SHOWN.

1. AIR OUTLET WITH SHUT-OFF VALVE LOCATED DS PUMP PANEL
2. BATTERY CHARGE INDICATOR LOCATED IN COMPARTMENT LS3
3. BATTERY CHARGE INDICATOR LOCATED ON DRIVER'S SEAT RISER
4. REVERSED HINGED DOOR ON COMPARTMENT LS3
5. BRUSHED STAINLESS STEEL SCUFFPLATE INSIDE EACH BODY COMPARTMENT DOORS
6. ONE FIXED FULL WIDTH/DEPTH SHELF IN COMPARTMENT LS3
7. ONE FULL WIDTH/DEPTH ADJUSTABLE SHELF IN COMPARTMENT B1 TWO IN LS1, LS3, RS1, & RS2 THREE IN RS3
8. ONE FLOOR MOUNTED SLIDE-OUT TRAY IN COMPARTMENT LS1, RS1, & B1
9. ONE SWING-OUT ALUMINUM TOOL BOARD IN COMPARTMENT LS1 & LS2
10. ONE SMOOTH ALUMINUM TOOL BOARD WITH TRACKS IN COMPARTMENT LS2
11. CTECH DRAWER ASSEMBLY IN COMPARTMENT LS3
12. PARTITION BETWEEN COMPARTMENTS LS1/B1 AND RS1/B1
13. ONE VERTICAL PARTITION IN COMPARTMENT LS1
14. ALUMINUM TREADPLATE ON FLOOR OF ALL COMPARTMENT FLOORS
15. PEGBOARD ON BACK WALL IN COMPARTMENT LS1
16. PEGBOARD ON SIDE WALL IN COMPARTMENT LS1
17. PEGBOARD ON BACK WALL FULL HEIGHT IN COMPARTMENT LS2

REV	DATE	BY	CH	ENFORCER
18NOV19		MMF	AZA	MAKE
13NOV19		MMF	AZA	PIERCE
17OCT19		MMF	AZA	MODEL

		JOB NO.	34180
		SCALE	DATE
2000-D-700P 680 WATER, 20 FOAM, 152" PUMPER BODY 3" RAISED REAR, HYD LDR RACK PS, COLEMAN-MACH 8 AC		DRAWN BY	01AUG19
CITY OF MARYSVILLE MARYSVILLE, CALIFORNIA		CHECKED BY	02AUG19
DWG NO. 34180AD		SHEET SIZE	SHEET NO.
		D	1 OF 1