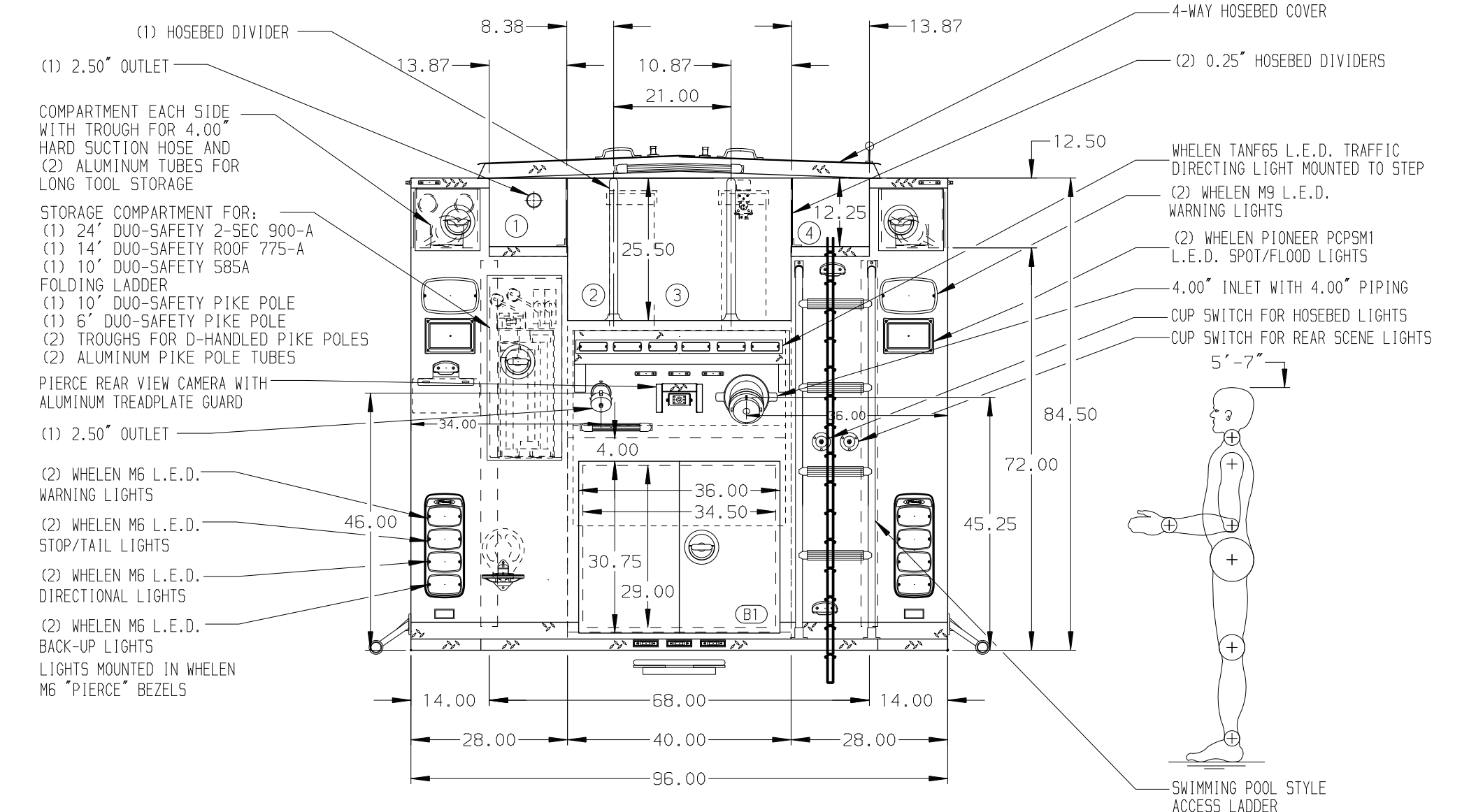


- HOSEBED CAPACITIES**
- ① - 200' OF 2.50" D.J. HOSE
  - ② - 200' OF 2.50" D.J. HOSE
  - ③ - 1000' OF 4.00" RUBBER LDH
  - ④ - 400' OF 2.50" D.J. HOSE



**ALUMINUM BODY**

**SIDE ROLL AND FRONTAL IMPACT PROTECTION**

**NOTE**  
 DIMENSIONS SHOWN ARE APPROXIMATE AND ARE SUBJECT TO MINOR DEVIATIONS AS MAY OCCUR OR BE NECESSARY IN CONSTRUCTION. MINOR DETAILS NOT SHOWN.

1. AIR INLET WITH DISCONNECT COUPLING FORWARD IN D5 STEP WELL
2. BATTERY CHARGER/COMPRESSOR LOCATED IN COMPARTMENT R53
3. DUAL L.E.D. LIGHT STRIPS LOCATED IN HOSE BED
4. ONE FULL WIDTH/DEPTH ADJUSTABLE SHELF IN COMPARTMENTS LS2, LS3, AND RS1; TWO IN LS1; THREE IN RS3
5. ONE ADJUSTABLE TILTING SLIDE-OUT TRAY IN COMPARTMENT RS1
6. ONE FLOOR MOUNTED SLIDE-OUT TRAY IN COMPARTMENTS LS1, RS1, AND B1
7. ANCHOR PLATE FOR NEDERMAN EXHAUST SYSTEM HOSE LOCATION VERTICAL FROM TAILPIPE
8. SWING-OUT TOOL BOARD WITH PEGBOARD PATTERN IN COMPARTMENT RS2
9. TWO COMPARTMENT VENTS WITH SPLASH GUARDS IN RS PUMP PANEL COMPARTMENT
10. ALL BODY COMPARTMENTS WITH LOUVERS SHALL HAVE A REMOVABLE FILTER
11. CTECH DAWER ASSEMBLY IN COMPARTMENTS LS3 AND RS3
12. PAC TRAC ON THE REAR WALL OF COMPARTMENTS LS1, LS3, AND RS2
13. PARTITION BETWEEN COMPARTMENTS LS1/B1 AND RS1/B1
14. TWO ZIAMATIC SCBA HOLDER BRACKETS LOCATED IN COMPARTMENT RS1
15. COMPARTMENT VENTILATION SYSTEM WITH TIMER
16. MOUNTING BRACKETS FOR 2 FIRE EXTINGUISHERS LOCATED IN RS3
17. TURTLE TILE MATTING ON SHELVING IN COMPARTMENTS LS1, LS2, LS3, RS1, RS3, AND B1
18. TURTLE TILE WITH RAMP MATTING ON FLOOR IN COMPARTMENTS LS2, LS3, RS2, AND RS3
19. ONE VERTICAL DIVIDER IN COMPARTMENT LS3
20. ROLLED HOSE STORAGE RACK IN COMPARTMENT LS3
21. ONE RECEPTACLE LOCATED IN COMPARTMENTS LS1, RS1, AND RS3
22. DUAL STRIP LIGHTS LOCATED IN CARGO AREA

		JOB NO.	34207 (01/02)
		SCALE	1:24
<b>TITLE</b> 1750-D-650 GAL POLY, 600 GAL WATER & 50 GAL FOAM 161" FH/FD, (2) SPEEDLAYS, DELUGE, GENERATOR		DRAWN BY	KLE
		CHECKED BY	CKN
<b>FOR</b> R.M. OF WOOD BUFFALO WOOD BUFFALO, ALBERTA CANADA		DATE	07AUG19
		SHEET SIZE	D
<b>DWG NO.</b> 34207AD-SH1		DATE	09AUG19
		SHEET NO.	1 OF 1

REV	DATE	BY	CH	VELOCITY-FR
16DEC19		KLE	CW1	PIERCE
05NOV19		KLE	CW1	PIERCE
15AUG19		KLE	NPA	MODEL