

BODY	WATER TANK
75' HAL Aluminum Body	400 Gallon Poly Water Tank
COMPT, LEFT SIDE FRONT	Foam System
Full Height RollUp Forward	Foam System Not Required
COMPT, LEFT SIDE REAR	Foam Cell
Full Height RollUp Rearward	Foam Cell Not Required
COMPT, RIGHT SIDE FRONT	
Full Height RollUp Forward	
COMPT, RIGHT SIDE REAR	
Full Height RollUp Rearward	

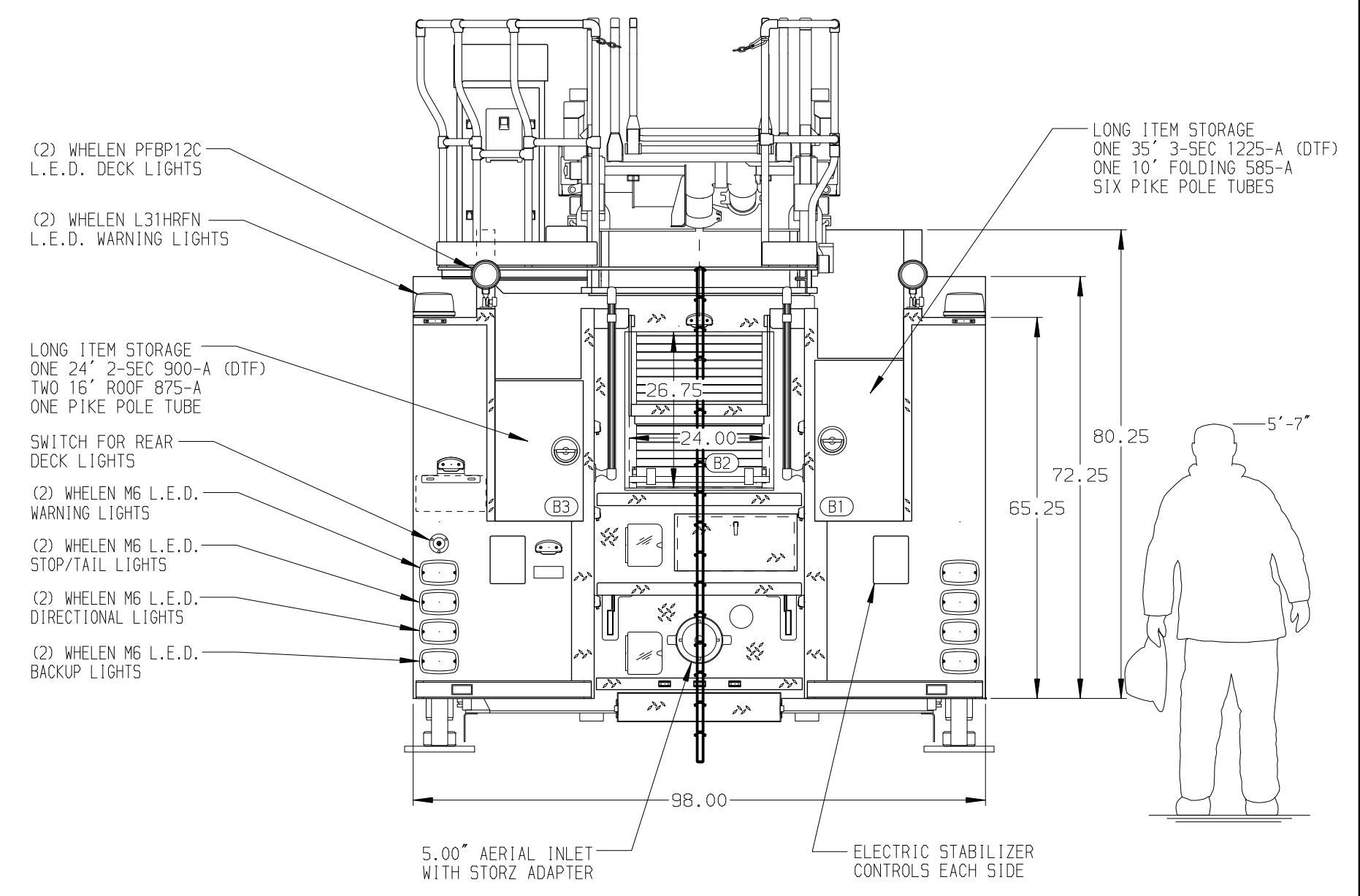
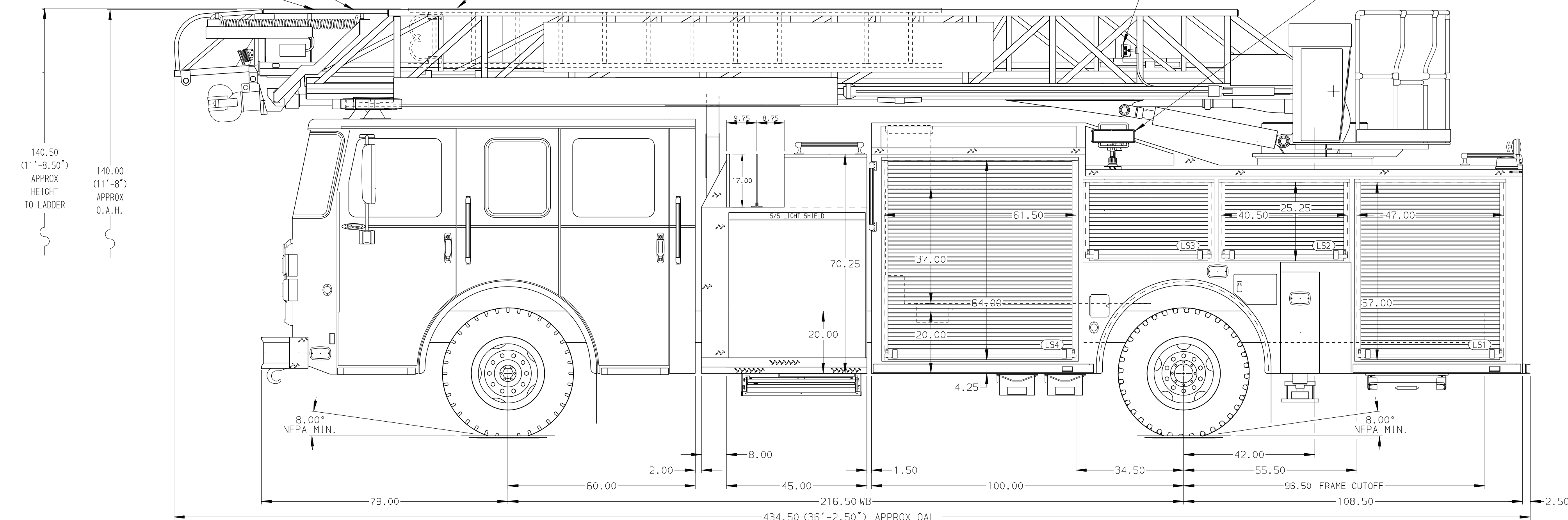
MOUNTING BRACKETS FOR PIKE POLE
AT AERIAL FLY SECTION

MOUNTING BRACKETS FOR AXE
AT AERIAL FLY SECTION

DUO-SAFETY 14' 775A ROOF
LADDER ON AERIAL FLY SECTION

WHELEN MICRO PIONEER MPB
L.E.D. (1) TRACKING AND
(1) TIP LIGHT EACH SIDE

(1) WHELEN PIONEER PW42
L.E.D. SCENE LIGHT EACH SIDE



CHASSIS	CAB	AXLE, FRONT, CUSTOM	TRANSMISSION	PUMPHOUSE	CROSSLAYS, 1.50"	SPEEDLAYS
Enforcer Chassis	6000 Enforcer Cab	22,800 Lb Dana Axle	Allison 5th Gen, 3000 EV5 P	45" Control Zone Side Mount	(2) 1.50" Standard Capacity	Speedlays Not Required
ENGINE	BUMPER	AXLE, REAR		PUMP	CROSSLAYS, 2.50"	GENERATOR
450 HP Cummins L9 Engine	10" Extended Stainless Steel	33,500 Lb Meritor Axle		1500 GPM DarLey PSM	2.50" Crosslay Not Required	Generator Not Required

NOTE
DIMENSIONS SHOWN ARE APPROXIMATE
AND ARE SUBJECT TO MINOR DEVIATIONS
AS MAY OCCUR OR BE NECESSARY IN
CONSTRUCTION.
MINOR DETAILS NOT SHOWN.

- 120V BLUE SEA SURE EJECT 7851 SHORELINE RECEPTACLE LOCATED ON DRIVER SIDE PUMP PANEL
- AIR INLET WITH DISCONNECT COUPLING IN THE DRIVER SIDE STEPPWELL
- BATTERY CHARGER LOCATED IN COMPARTMENT PER SHOP ORDER
- BATTERY CHARGE INDICATOR LOCATED ON THE DRIVER SIDE PUMP PANEL
- FOUR ADJUSTABLE SHELVES IN COMPARTMENTS PER SHOP ORDER
- TWO FLOOR MOUNTED SLIDE-OUT TRAYS IN COMPARTMENTS PER SHOP ORDER
- 1.50" RAISED AERIAL POSTAL
- LIFTING EYE RESCUE ATTACHMENT AT AERIAL TIP
- 1500 GPM HIGH FLOW WATERWAY

REV	DATE	BY	CH	ENFORCER
300CT19	TKA	KBO	MAKE	
220CT19	TKA	NDA	PIERCE	
27SEP19	TKA	KBO	MODEL	

Pierce MANUFACTURING INC.

JOB NO. 34232

SCALE 1:24 DATE

TITLE 75 AERIAL LADDER & BODY ASSEMBLY

FOR LIBERTY FIRE DEPARTMENT

DWG NO. 34232AD

DRAWN BY TKA DATE 21AUG19

CHECKED BY CRI DATE 23AUG19

SHEET SIZE D SHEET NO. 1 OF 1