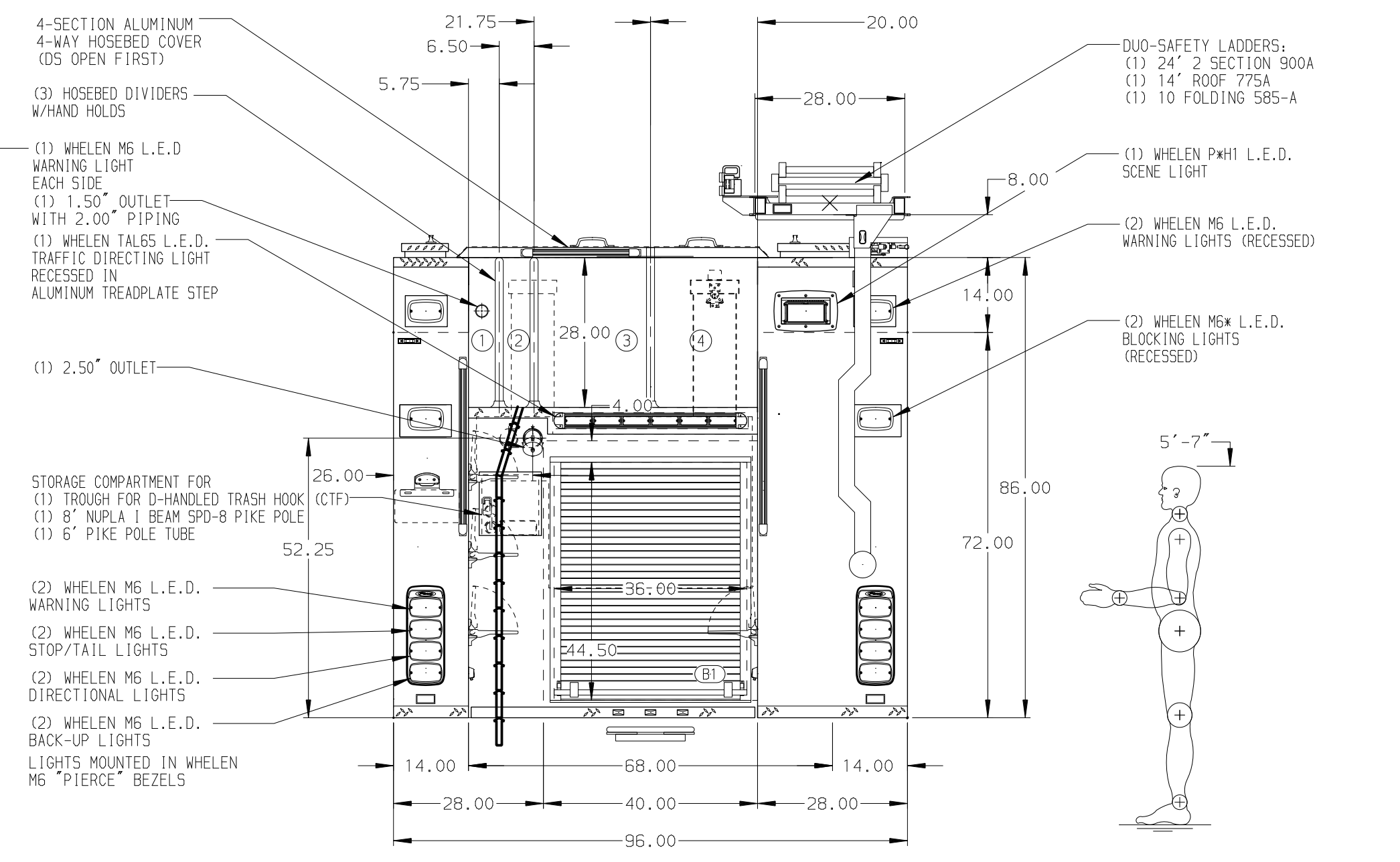


HOSEBED CAPACITIES

- 200' OF 1.75" D.J. POLY HOSE
- 200' OF 2.50" D.J. POLY HOSE
- 800' OF 4.00" D.J. POLY HOSE
- 800' OF 2.50" D.J. POLY HOSE



GALVANNEAL

NOTE
 DIMENSIONS SHOWN ARE APPROXIMATE AND ARE SUBJECT TO MINOR DEVIATIONS AS MAY OCCUR OR BE NECESSARY IN CONSTRUCTION.
 MINOR DETAILS NOT SHOWN.

- CUSTOMER FURNISHED WHEEL CHOCKS AND MOUNTING BRACKETS
- AIR INLET WITH DISCONNECT COUPLING LOCATED ON DRIVER'S SIDE SEAT RISER
- KUSSMAUL BATTERY CHARGER LOCATED IN COMPARTMENT LS3
- BATTERY CHARGE INDICATOR LOCATED ON DRIVER'S SEAT RISER
- SUB-FEED CIRCUIT BREAKER PANEL IN THE CREW CAB DRIVER'S SIDE WALL
- ONE FULL WIDTH/DEPTH ADJUSTABLE SHELF IN COMPARTMENT LS1, LS3, RS3 & B1, TWO IN LS2 & RS1
- ONE ADJUSTABLE SLIDE-OUT TRAY IN COMPARTMENT RS3
- ONE FLOOR MOUNTED SLIDE-OUT TRAY IN COMPARTMENT LS1
- ONE SWING-OUT ALUMINUM TOOLBOARD LOCATED IN COMPARTMENT RS2
- PARTITION BETWEEN COMPARTMENTS RS1/B1
- ONE VERTICAL PARTITION (SPECIAL HEIGHT) IN COMPARTMENT RS1
- ALUMINUM PEGBOARD WITH TRACKS ON THE BACK WALL OF COMPARTMENT RS2

| REV | DATE | BY | CH | QUANTUM |
|-----|-------|-----|-----|--------------|
| 27 | JAN20 | AMI | PJP | CHASSIS DATA |
| 24 | JAN20 | AMI | PJP | MAKE |
| 06 | DEC19 | JWO | PJP | PIERCE |
| 28 | AUG19 | AMI | KOU | MODEL |

| | | | |
|---------|---|------------|-----------|
| | | JOB NO. | 34254 |
| | | SCALE | DATE |
| TITLE | 1500-D-530P 500 GAL OF WATER W/ 30 GAL FOAM CELL 152" PUMPER, (2) X-LAYS, 1 DEADLAY, HYD. LADDER RACK | DRAWN BY | AMI |
| FOR | CATHEDRAL CITY FIRE DEPARTMENT CATHEDRAL CITY, CALIFORNIA | CHECKED BY | KOU |
| DWG NO. | 34254AD | SHEET SIZE | SHEET NO. |
| | | D | 1 OF 1 |