

Pumper, PUC

BODY
Pumper, PUC, Aluminum
CHASSIS
Enforcer Chassis, PUC

CHASSIS
AXLE, FRONT, CUSTOM
20,000 Lb Dana Axle

AXLE, REAR
27,000 Lb Dana Axle

ENGINE
450 HP Cummins L9 Engine

TRANSMISSION
Allison 5th Gen, 3000 EVS P

BUMPER
19" Extended Stainless Steel

CAB
7010 Enforcer Cab, PUC

BODY
WATER TANK
970 Gallon Poly Water Tank

COMPT, PUMPER, REAR
39.50" FF RollUp Rear Compt w/Space Saver, PUC

COMPT, PUMPER, LEFT SIDE
189" RollUp Full Height & Depth Front & Rear, PUC

COMPT, PUMPER, RIGHT SIDE
189" RollUp Full Height & Depth Front & Rear, PUC

FIRE SUPPRESSION
PUMPHOUSE
Control Zone, PUC

PUMP
1500 GPM Pierce PUC

CROSSLAYS, 1.50"
(2) 1.50", Full Width Poly Trays, 200'

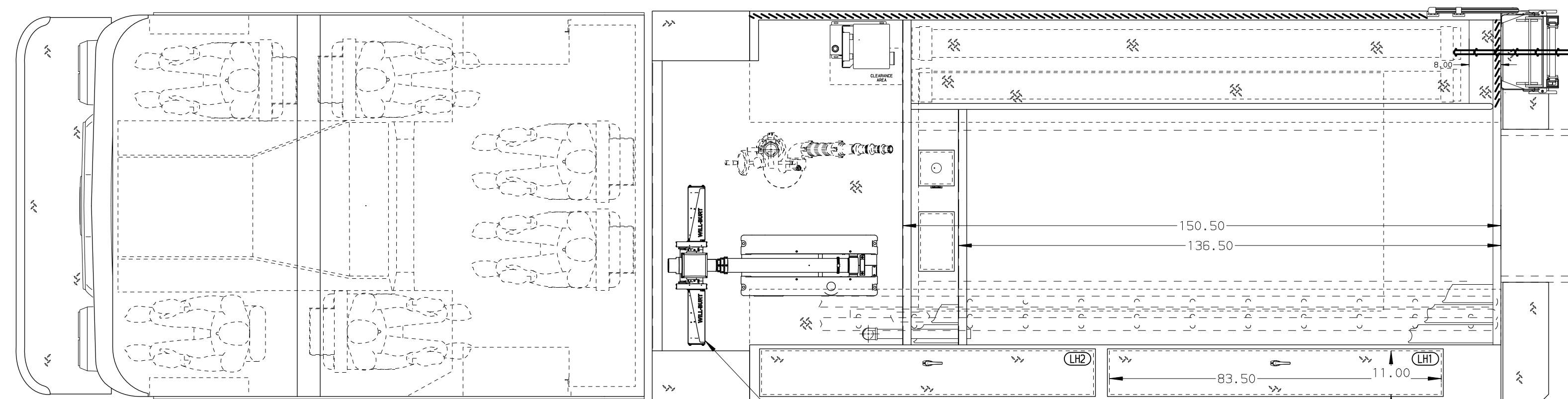
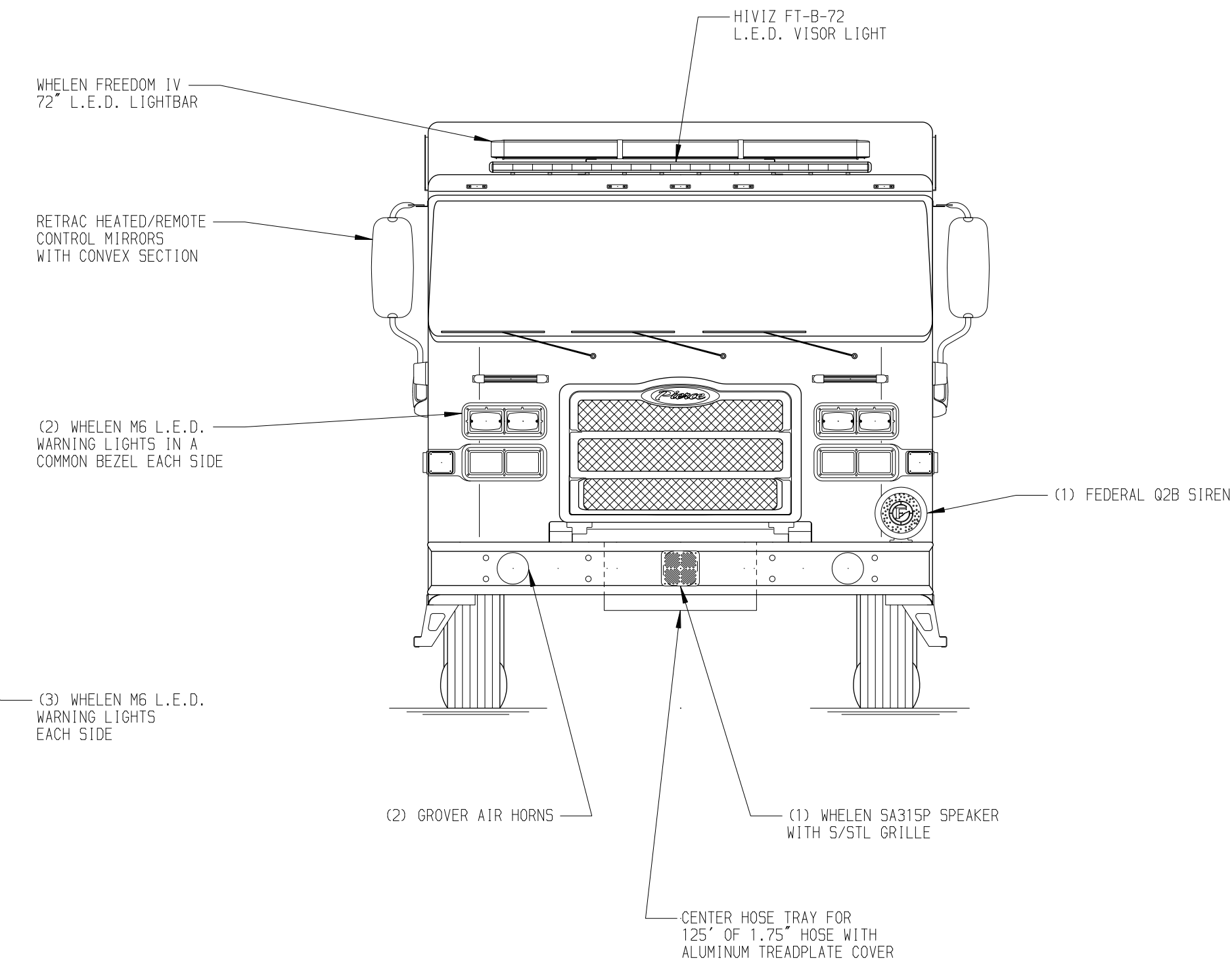
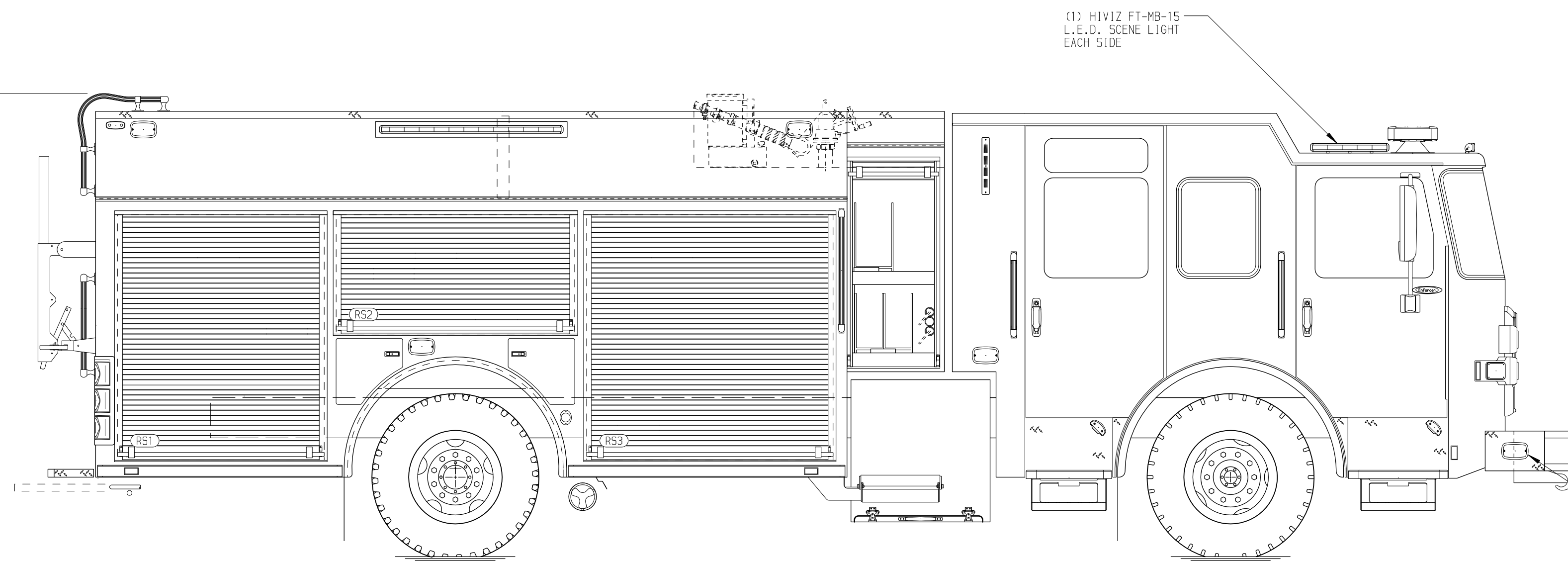
CROSSLAYS, 2.50"
(1) 2.50", Full Width Poly Tray, 200'

GENERATOR
Generator Not Required

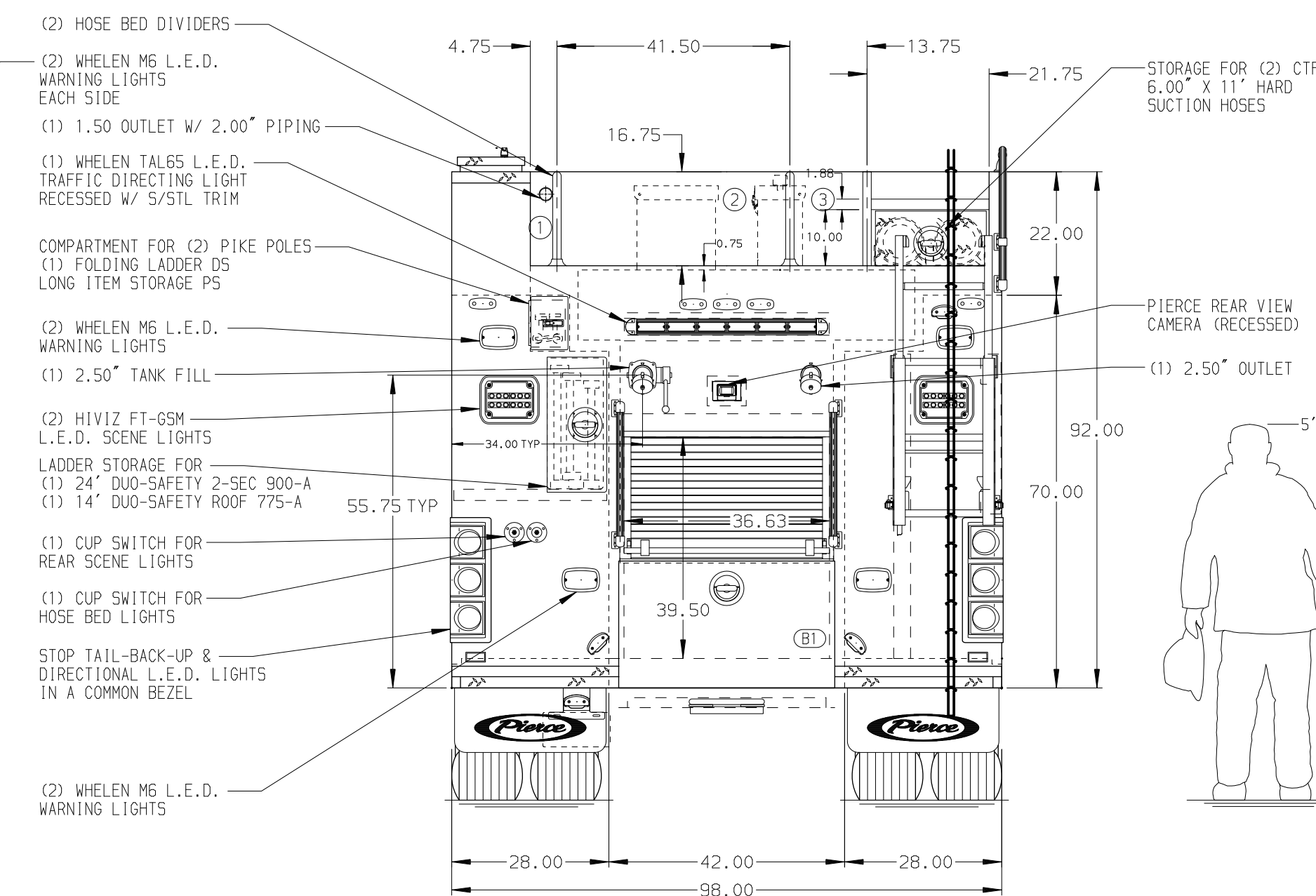
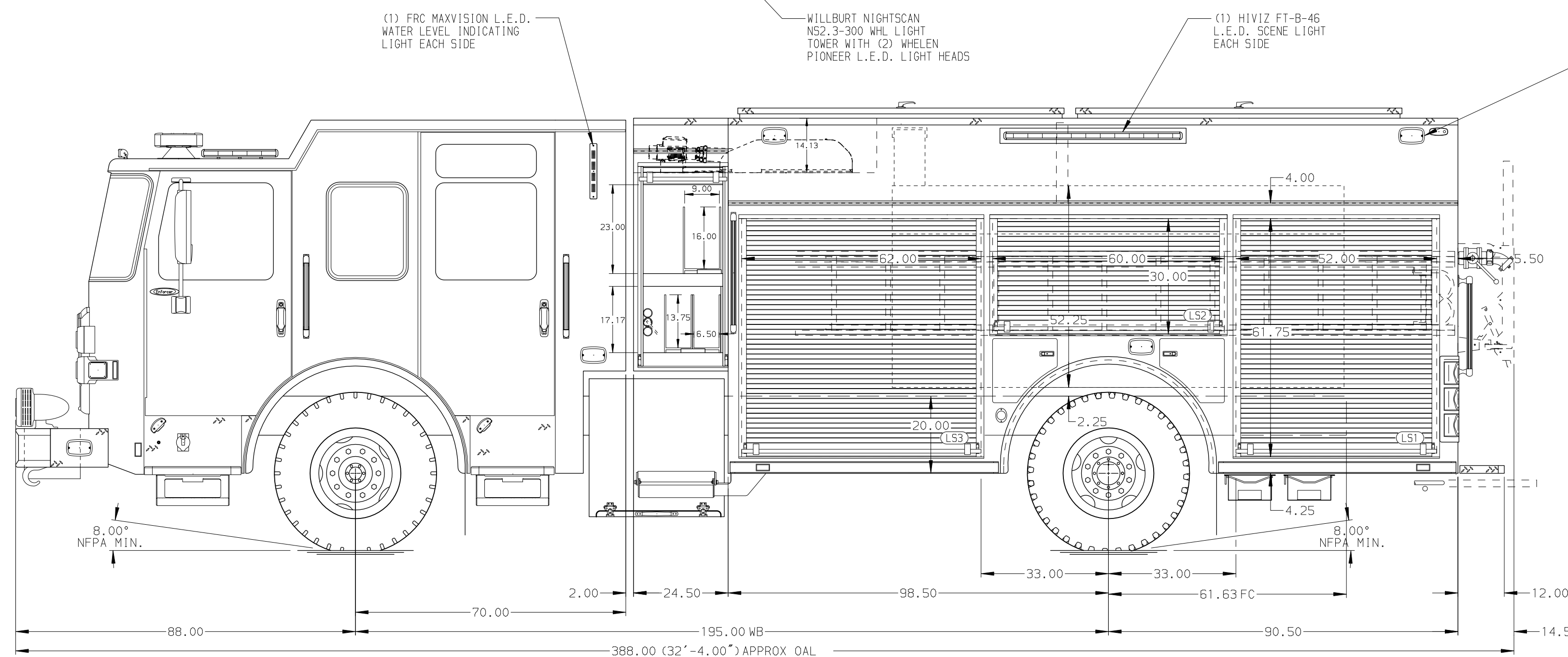
Foam System
Husky 3 Single Agent Foam System

Foam Cell
30 Gallon Foam Cell, Reduced Water, PUC

123.00
(10'-3")
APPROX
O.A.H.



HOSEBED CAPACITY	
BED 1	200' OF 1.75" D.J. POLY HOSE
BED 2	1200' OF 5.00" D.J. POLY HOSE
BED 3	400' OF 3.00" D.J. POLY HOSE



NOTE
DIMENSIONS SHOWN ARE APPROXIMATE AND ARE SUBJECT TO MINOR DEVIATIONS AS MAY OCCUR OR BE NECESSARY IN CONSTRUCTION. MINOR DETAILS NOT SHOWN.

- ONE 1.50 OUTLET WITH 2.00 PIPING AND SWIVEL LOCATED IN CENTER BUMPER TRAY
- SHORELINE RECEPTACLE LOCATED ON DRIVER SIDE OF THE CAB
- AIR INLET WITH DISCONNECT COUPLING IN THE DRIVER SIDE STEPWELL
- BATTERY CHARGER LOCATED IN COMPARTMENT PER SHOP ORDER
- BATTERY CHARGE INDICATOR LOCATED ON THE DRIVER SIDE SEAT RISER
- FOUR ADJUSTABLE SHELVES LOCATED PER SHOP ORDER
- ONE CTECH THREE DRAWER ASSEMBLY LOCATED PER SHOP ORDER
- ONE 120V 4-PLACE RECEPTACLE LOCATED PER SHOP ORDER
- SIX 120V DUPLEX RECEPTABLES LOCATED PER SHOP ORDER

REV	DATE	BY	CH	ENFORCER
01NOV19	COL	KBO	MAKE	CHASSIS DATA
21OCT19	COL	KBO	PIERCE	FOR
15OCT19	COL	KBO	MODEL	DWG NO.

	JOB NO.	34265
	SCALE	DATE
TITLE	Pierce PUC Pumper Approval Drawing	
FOR	West Walworth VFD	
DWG NO.	34265AD	
CHECKED BY	KBO	SHEET NO.
DRAWN BY	COL	1 OF 1