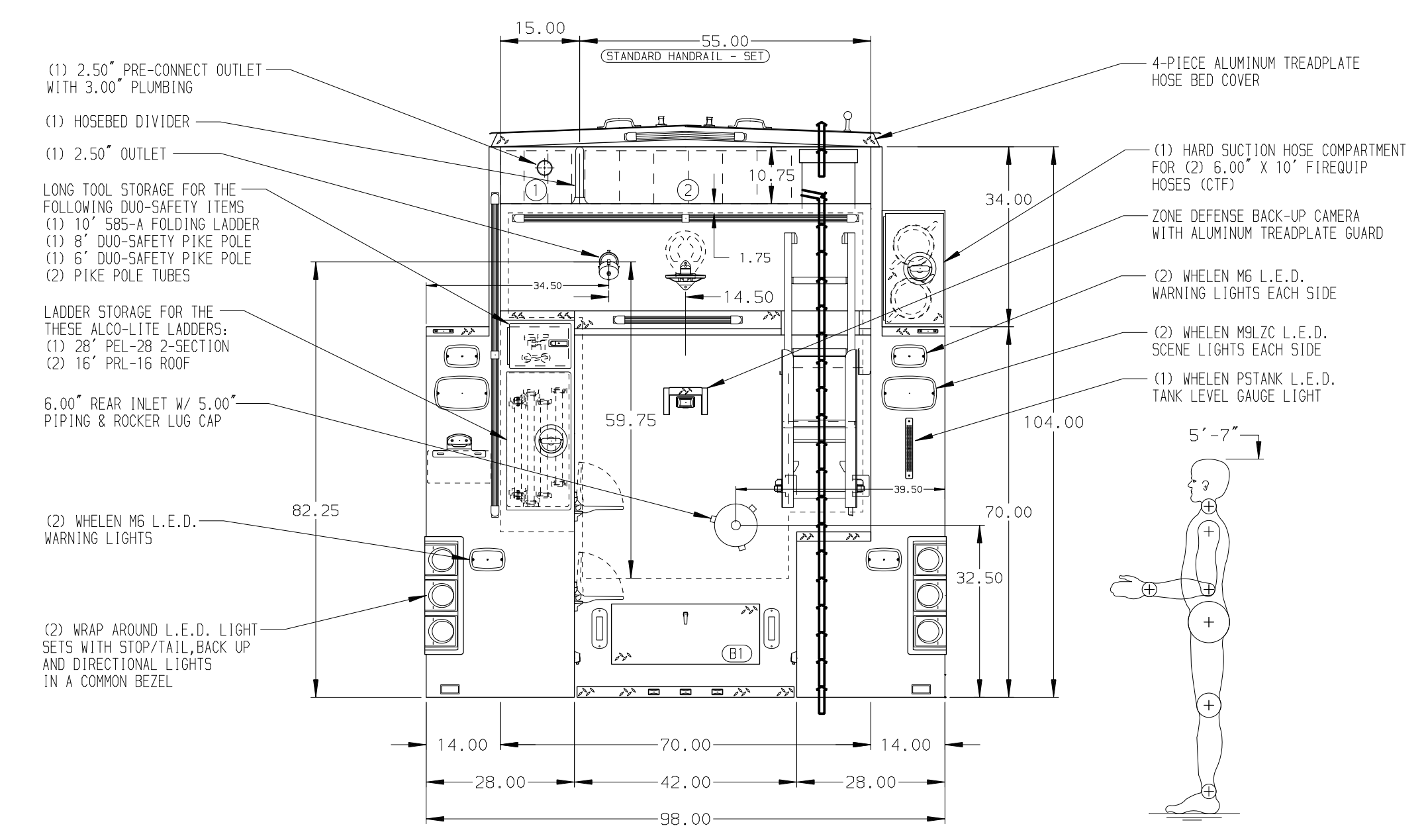
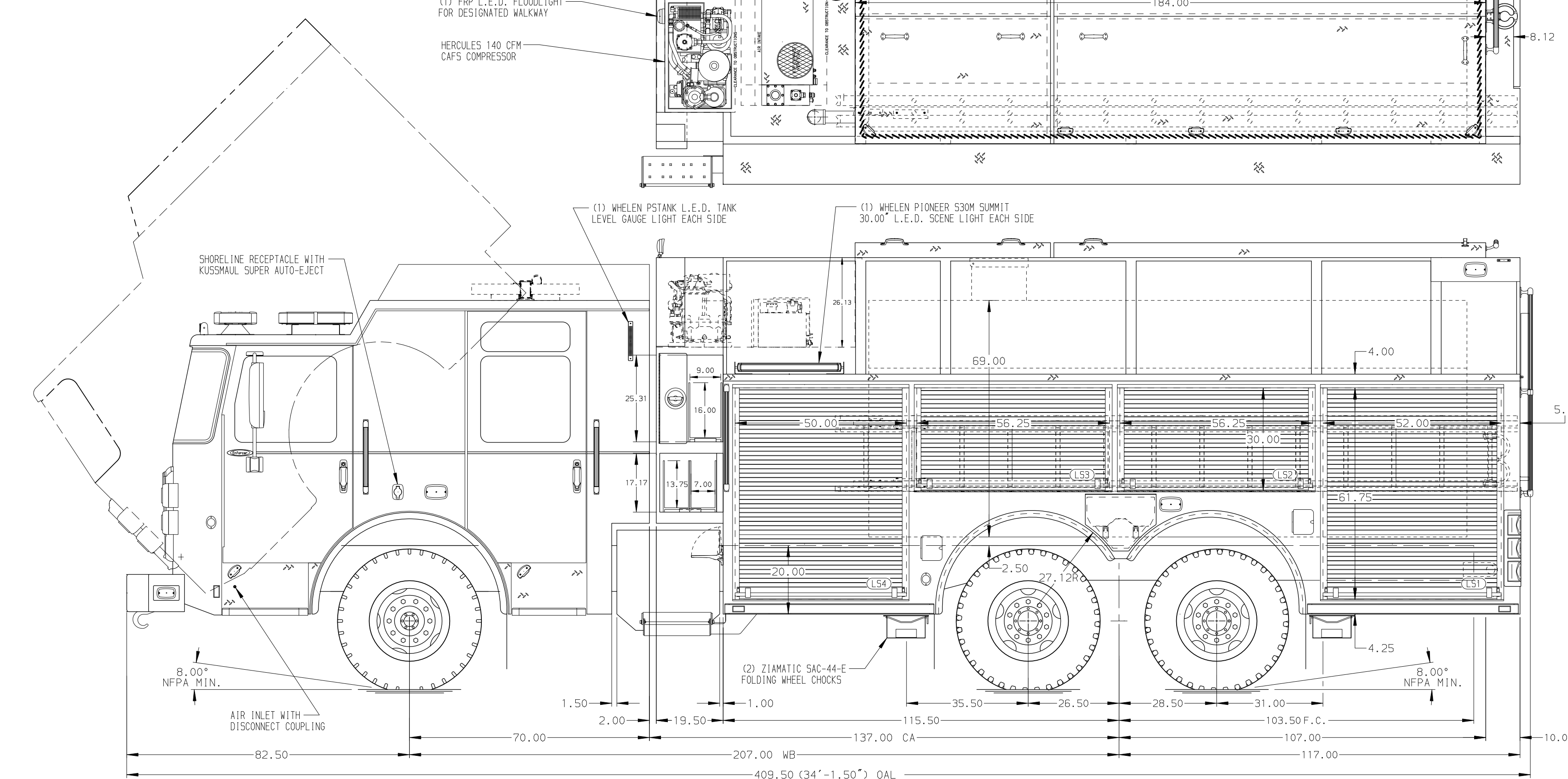


HOSEBED CAPACITIES  
 ① 400' OF 2.50" D.J. HOSE  
 ② 1100' OF 4.00" L.D. HOSE



**ALUMINUM BODY**

**NOTE**  
 DIMENSIONS SHOWN ARE APPROXIMATE AND ARE SUBJECT TO MINOR DEVIATIONS AS MAY OCCUR OR BE NECESSARY IN CONSTRUCTION. MINOR DETAILS NOT SHOWN.

- BATTERY CHARGER/COMPRESSOR LOCATED BEHIND DRIVER'S SEAT
- BATTERY CHARGE INDICATOR LOCATED ON DRIVER'S SEAT RISER
- DUAL L.E.D. LIGHT STRIPS LOCATED IN HOSE BED
- FULL WIDTH/DEPTH ADJUSTABLE SHELVES LOCATED PER SHOP ORDER
- FLOOR MOUNTED SLIDE-OUT TRAYS LOCATED PER SHOP ORDER
- SWING-OUT ALUMINUM TOOL BOARD WITH PAC-TRAC MOUNTING LOCATED PER SHOP ORDER
- TWO ADJUSTABLE TOOL BOARD MOUNTED TO SLIDE-OUT TRAYS LOCATED PER SHOP ORDER
- THREE ADDITIONAL POLY TRAYS SHIPPED LOOSE
- CIRCUIT BREAKER PANEL IN COMPARTMENT L54
- SUB FEEL CIRCUIT BREAKER PANEL IN COMPARTMENT L54
- 120V DUPLEX RECEPTACLE LOCATED IN COMPARTMENT R54
- ONE HANWAY ELECTRIC REWIND CORD REEL MODEL 1618-17-18 LOCATED R54 WITH 200' OF 10/3 CABLE
- CIRCUIT BREAKER SUB-FEED IN COMPARTMENT L54
- PAC-TRAC ON REAR WALLS OF L53 & R53
- CTECH TWO-DRAWER ASSEMBLY IN COMPARTMENT L54
- ONE VERTICAL PARTITION WITH PEGBOARD PATTERN IN COMPARTMENT R54

		JOB NO.	34299
		SCALE	DATE
<b>Pierce MANUFACTURING INC.</b>		TITLE	1500-D-2475P, 30G FOAM TANK, 232" PUC TANKER
<b>MANUFACTURING INC.</b>		FOR	(3) X-LAYS, DELUGE, GENERATOR, LIGHT TOWER, CABLE REEL
<b>MANUFACTURING INC.</b>		CHECKED BY	GVH 03SEP19
<b>MANUFACTURING INC.</b>		SHEET SIZE	D 1 OF 1
<b>MANUFACTURING INC.</b>		DWG NO.	34299AD

REV	DATE	BY	CH	ENFORCER
02JAN20	GVH	DTS		
18NOV19	GVH	DTS		
11SEP19	GVH	NPA		