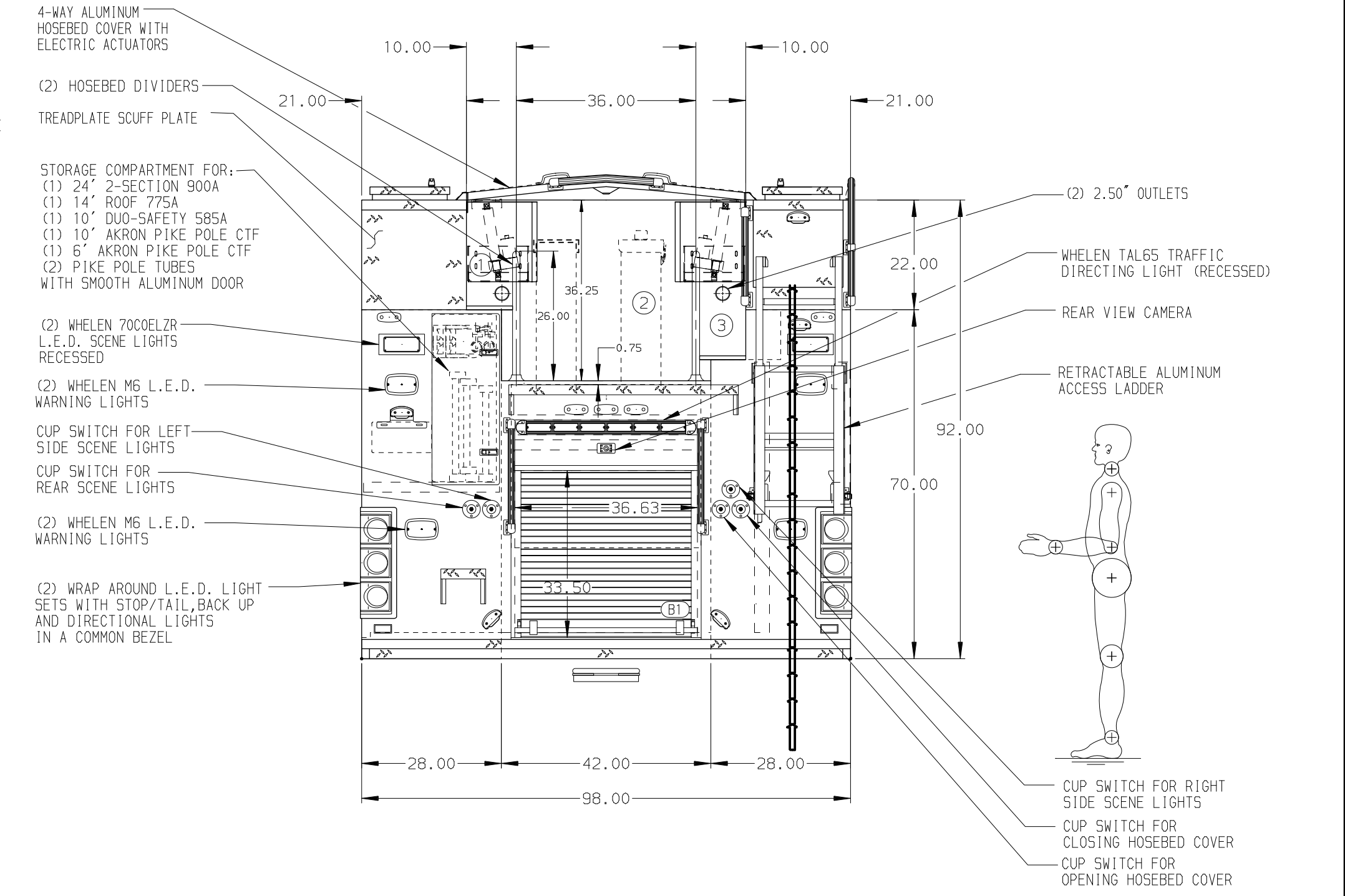
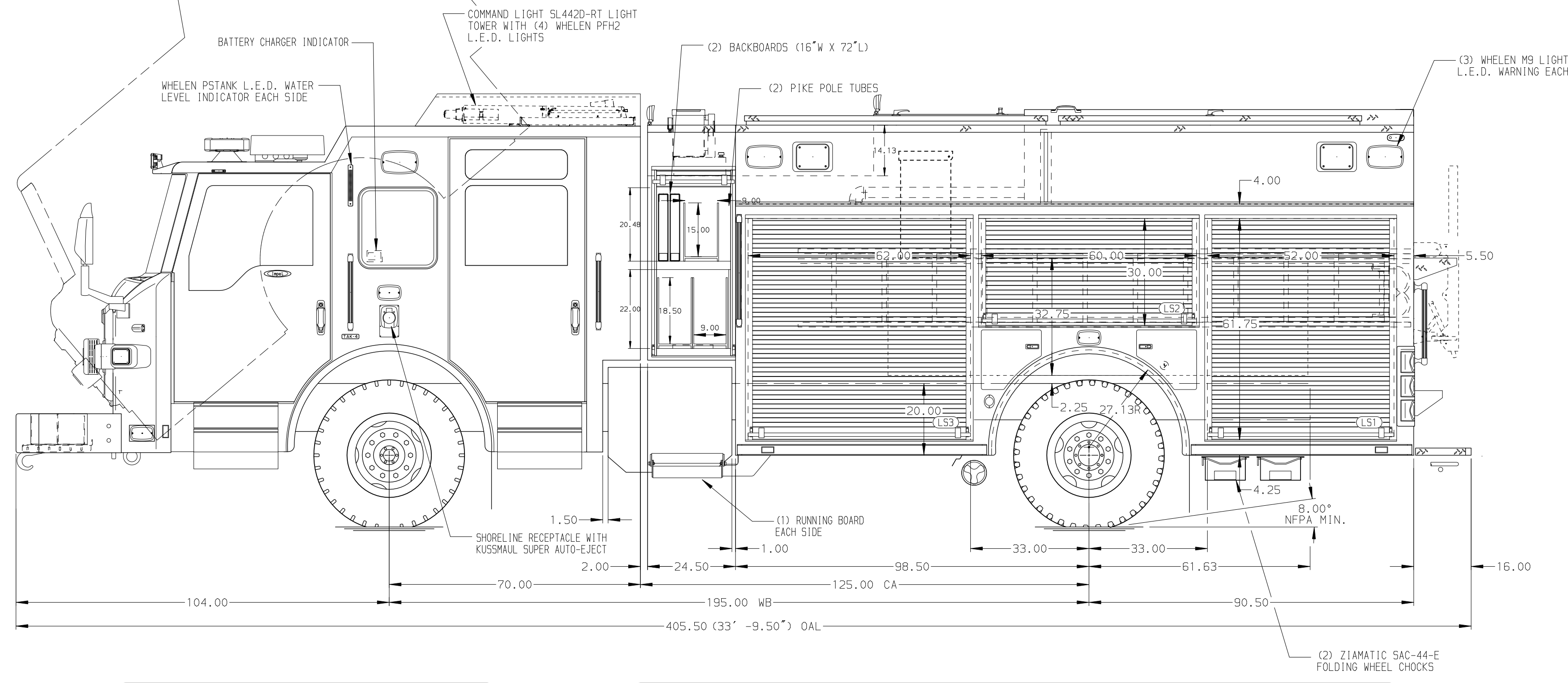


- HOSEBED CAPACITIES
- ① 200' OF 2.50" D.J. HOSE
 - ② 850' OF 5.00" D.J. HOSE
 - ③ 200' OF 2.50" D.J. HOSE



ALUMINUM BODY

MAXIMUM O.A.H. 131"

SIDE ROLL AND FRONTAL IMPACT PROTECTION

NOTE
 DIMENSIONS SHOWN ARE APPROXIMATE AND ARE SUBJECT TO MINOR DEVIATIONS AS MAY OCCUR OR BE NECESSARY IN CONSTRUCTION.
 MINOR DETAILS NOT SHOWN.

1. BATTERY CHARGER/COMPRESSOR LOCATED IN COMPARTMENT LS3
2. TWO ADJUSTABLE FULL WIDTH/FULL DEPTH SHELVES LOCATED IN COMPARTMENTS LS3, AND RS1
3. THREE ADJUSTABLE SHELVES IN COMPARTMENT RS3
4. PEG BOARD MOUNTED TO THE BACK WALL OF COMPARTMENTS LS2 AND RS3
5. TWO VERTICAL PARTITIONS IN COMPARTMENT RS3
6. SYSTL SCUFFPLATES AT CAB DOOR JAMBS
7. DUAL L.E.D. LIGHT STRIPS LOCATED BELOW THE HOSEBED COVER
8. DRIP PAN GUARD LOCATED ON ALL ROLLUP DOORS
9. PULL STRAP ON ALL SIDE COMPARTMENT DOORS
10. SUB FEED BREAKER BOX LOCATED BEHIND DRIVER'S SEAT

11. AIR INLET/OUTLET RECESSED IN PUMP PANEL

REV	DATE	BY	CH	IMPEL FR
13JAN20	KLE	MSA	CHASSIS DATA	
16DEC19	KLE	MSA	MAKE	
06DEC19	LME	MSA	PIERCE	
03DEC19	KLE	MSA	MODEL	
18NOV19	KLE	MSA		

TITLE	1500-D-500P W/40 GAL. FOAM CELL, 189" FH & FD PUC (3)CROSSLAYS, LADDERS THRU BODY, GENERATOR, HUSKY 3
FOR	CITY OF GOODYEAR GOODYEAR, ARIZONA
DWG NO.	34326AD

JOB NO.	34326
SCALE	1:24
DATE	
DRAWN BY	LME
CHECKED BY	WKL
SHEET SIZE	D
SHEET NO.	1 OF 1