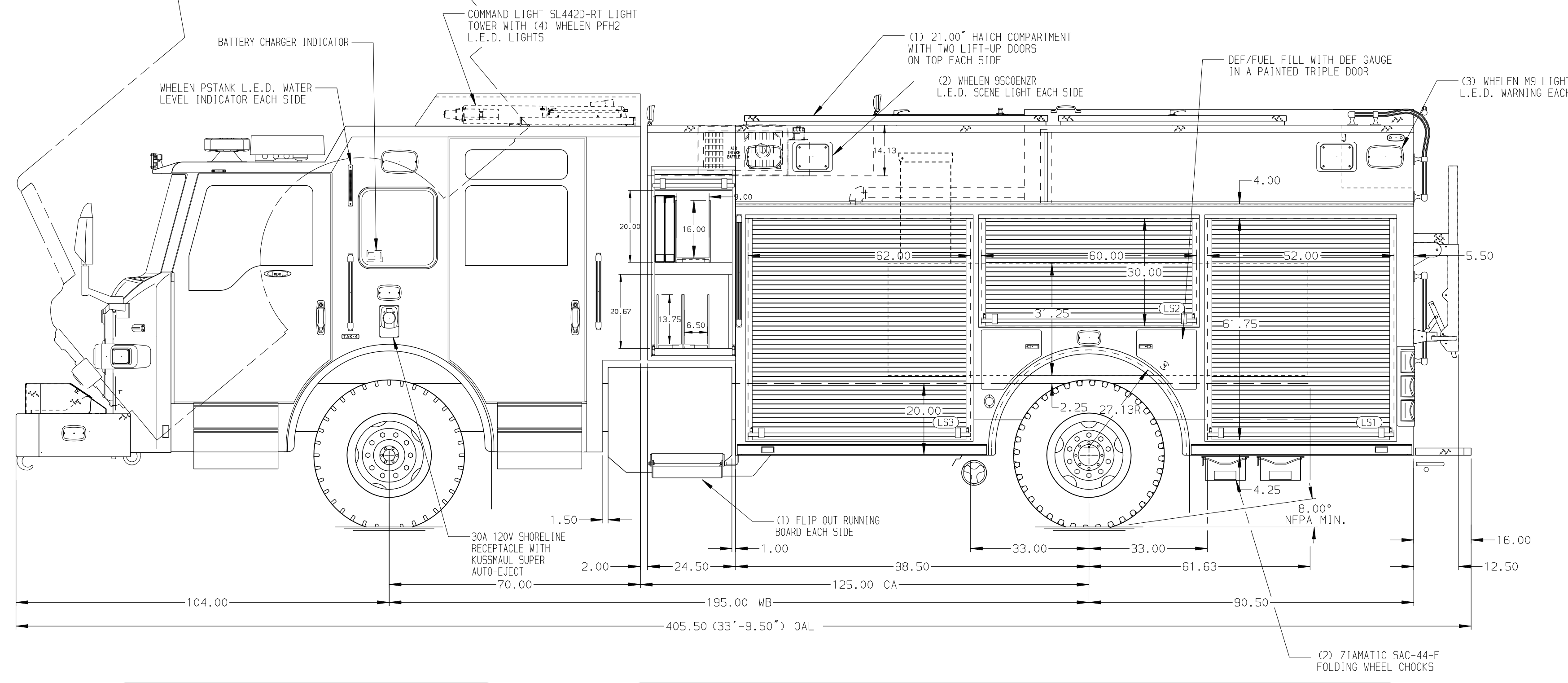
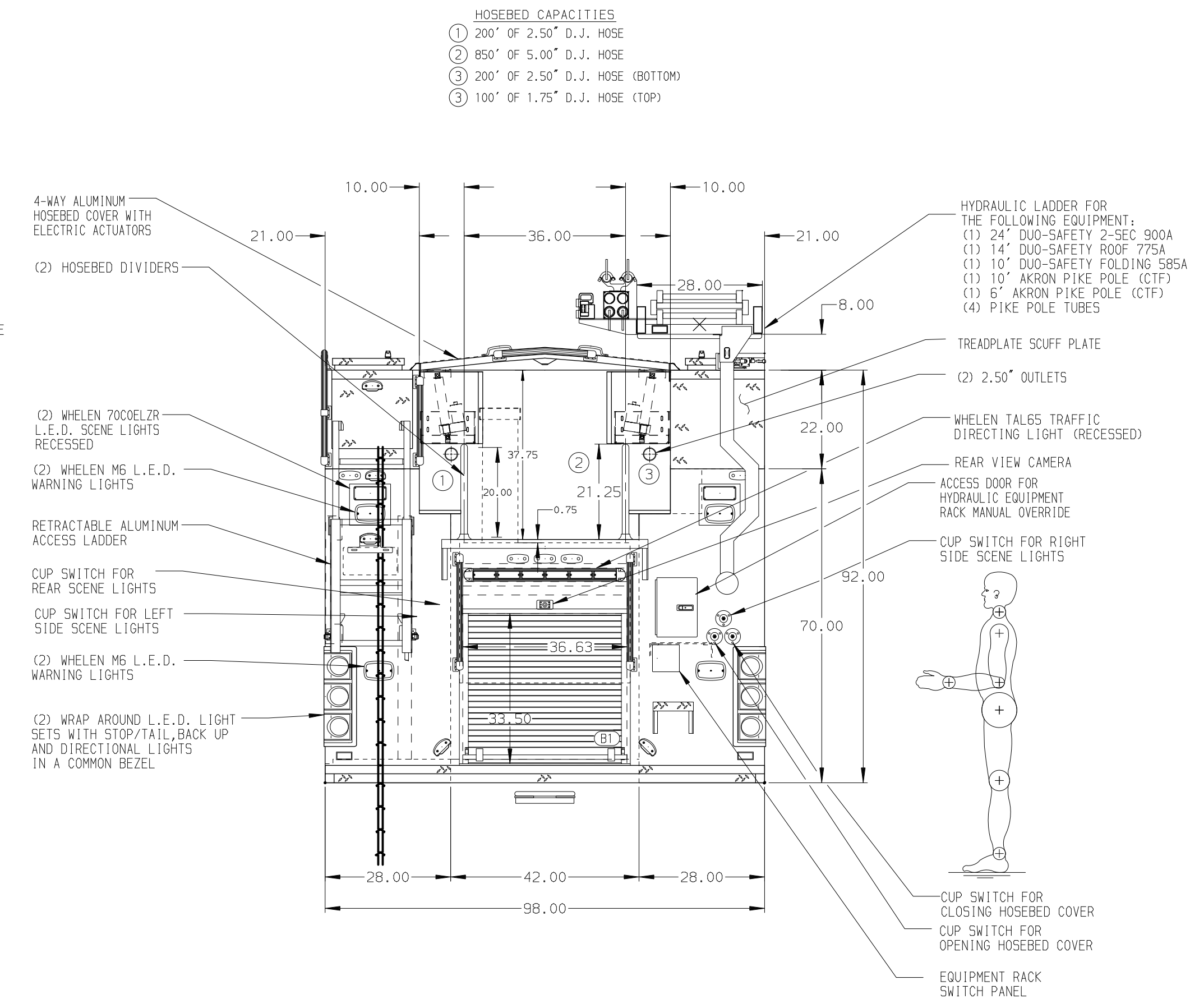
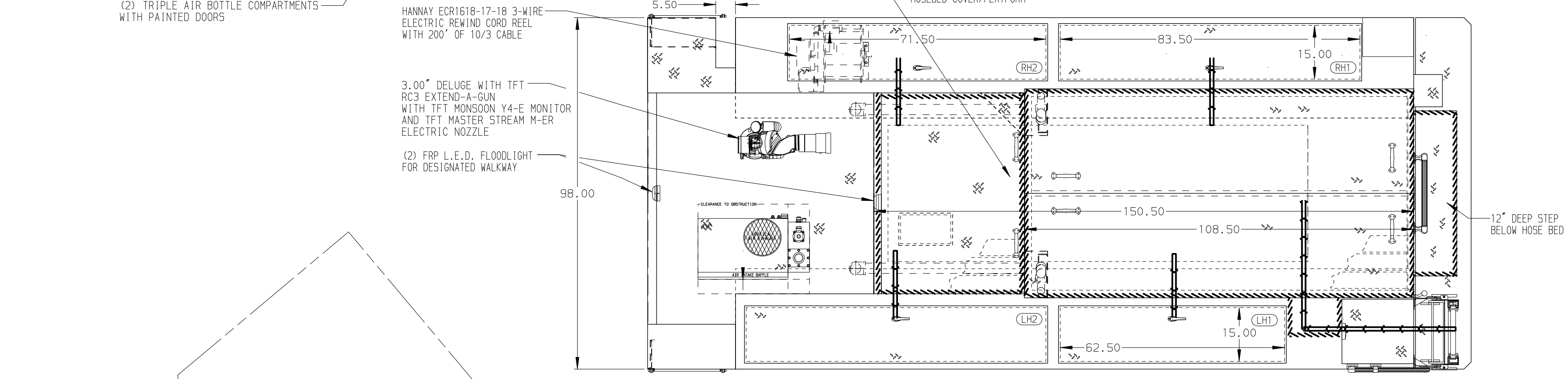


- HOSEBED CAPACITIES**
- ① 200' OF 2.50\"/>



ALUMINUM BODY

MAXIMUM O.A.H. 134"

SIDE ROLL AND FRONTAL IMPACT PROTECTION

**NOTE**  
DIMENSIONS SHOWN ARE APPROXIMATE AND ARE SUBJECT TO MINOR DEVIATIONS AS MAY OCCUR OR BE NECESSARY IN CONSTRUCTION. MINOR DETAILS NOT SHOWN.

1. BATTERY CHARGER/COMPRESSOR LOCATED BEHIND DRIVER'S SEAT
2. TWO ADJUSTABLE FULL WIDTH/FULL DEPTH SHELVES LOCATED IN COMPARTMENTS L53 AND R51
3. ONE ADJUSTABLE SLIDE-OUT TRAY IN COMPARTMENT L52 AND R52
4. ONE SPECIAL WIDTH FLOOR MOUNTED SLIDE OUT TRAY IN COMPARTMENTS L51 AND R53
5. ONE FLOOR MOUNTED SLIDE-OUT TRAY IN COMPARTMENT B1
6. ONE TOOLBOARD WITH PAC TRAC ADDED TO SLIDE-OUT TRAY IN COMPARTMENTS L51, R53
7. ONE SLIDE-OUT DOUBLE FACED TOOLBOARD WITH PAC TRAC IN COMPARTMENTS L51 AND R53
8. S/STL SCUFFPLATES AT CAB DOOR JAMBS
9. DUAL L.E.D. LIGHT STRIPS LOCATED BELOW THE HOSEBED COVER
10. DRIP PAN GUARD LOCATED ON ALL ROLLUP DOORS

11. PULL STRAP ON ALL SIDE COMPARTMENT DOORS
12. AIR INLET W/DISCONNECT COUPLING ON DS PUMP PANEL
13. AIR INLET W/DISCONNECT COUPLING ON DS PUMP PANEL
14. AIR OUTLET W/SHUT OFF VALVE IN FRONT BUMPER IN RECESSED BOX
15. SUB FEED BREAKER BOX IN COMPARTMENT L53

13JAN20	KLE	MSA	CHASSIS	
30DEC19	KLE	MSA	DATA	
06DEC19	LME	MSA	MAKE	
03DEC19	KLE	MSA	PIERCE	
19NOV19	KLE	MSA	MODEL	
REV	DATE	BY	CH	IMPEL FR

		JOB NO.	34327
		SCALE	DATE
TITLE	1500-D-500P, 500 GAL WATERTANK, 189" BODY PUC, (3) XLAYS, HYDRAULIC LADDER RACK	DRAWN BY	LME
FOR	CITY OF GOODYEAR, GOODYEAR, ARIZONA	CHECKED BY	WKL
DWG NO.	34327AD	SHEET SIZE	D
		SHEET NO.	1 OF 1