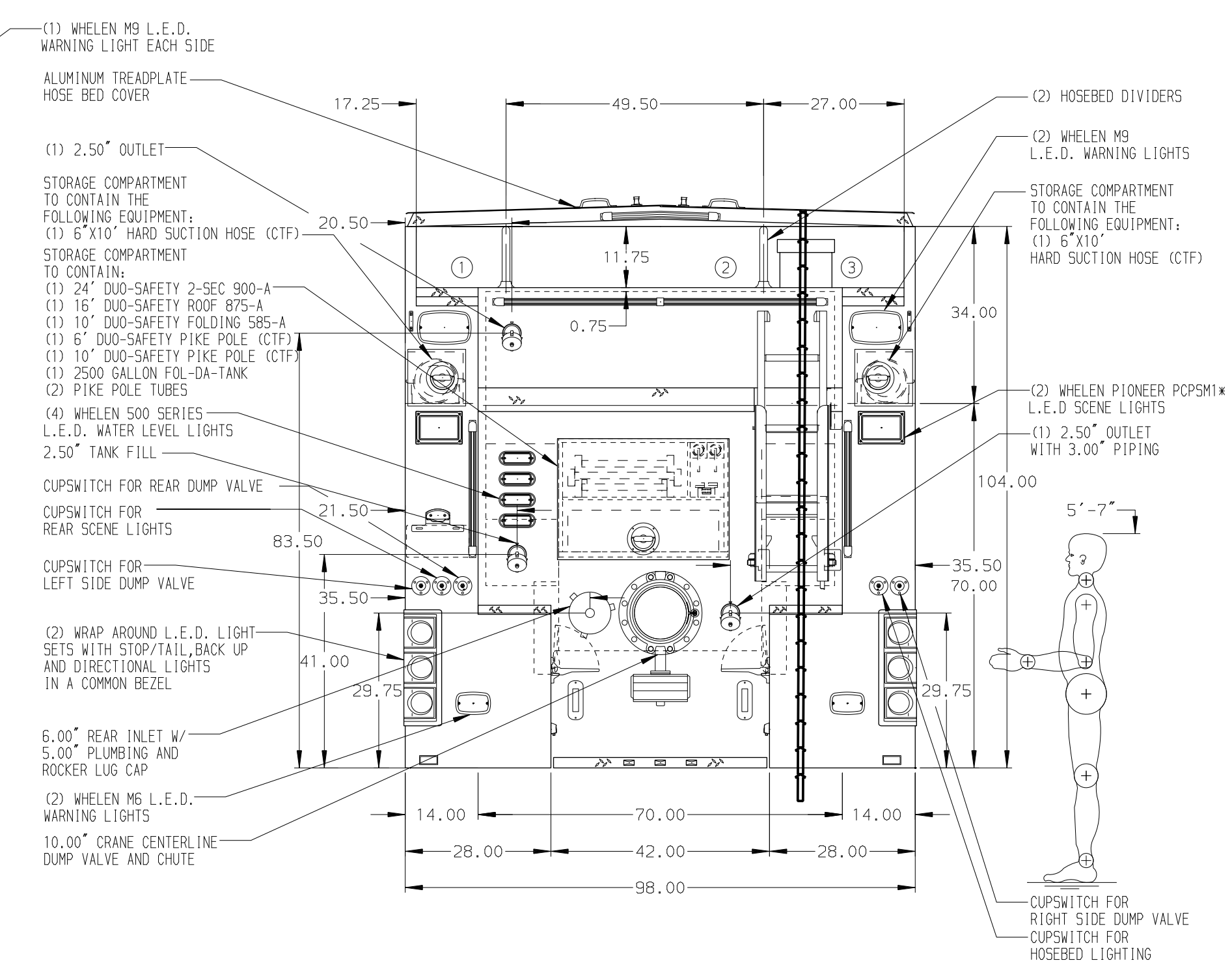
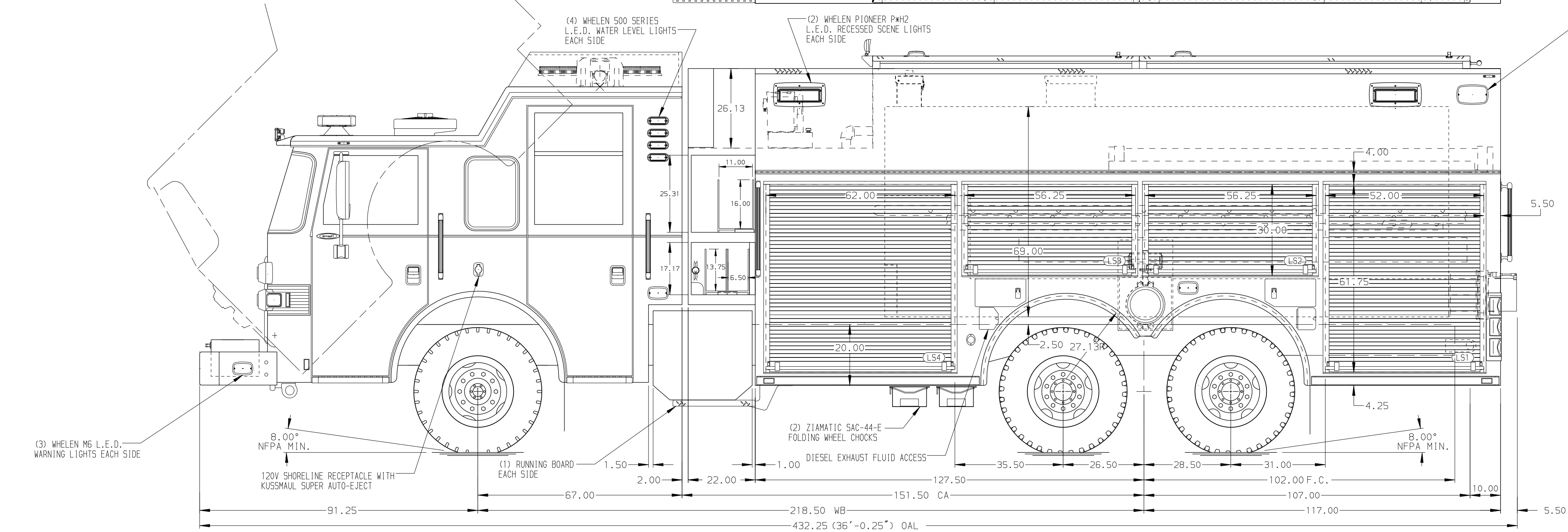


- HOSEBED CAPACITIES
- ① 300' OF 3.00" D.J. HOSE
 - ② 800' OF 5.00" D.J. HOSE
 - ③ 300' OF 3.00" D.J. HOSE



ALUMINUM BODY

SIDE ROLL & FRONTAL IMPACT PROTECTION

NOTE
DIMENSIONS SHOWN ARE APPROXIMATE AND ARE SUBJECT TO MINOR DEVIATIONS AS MAY OCCUR OR BE NECESSARY IN CONSTRUCTION.
MINOR DETAILS NOT SHOWN.

1. BATTERY CHARGER IN L54
2. BATTERY CHARGER INDICATOR LOCATED NEAR DRIVER'S SEAT RISER WITH BRACKET
3. FULL WIDTH/DEPTH ADJUSTABLE SHELVES TWO IN L51 AND R51 AND ONE IN L54, R52, R53, AND R54
4. TWO ADJUSTABLE SLIDE-OUT TRAYS WITH 6.00" HIGH SIDES IN L54
5. ONE FLOOR MOUNTED SLIDE-OUT TRAY WITH SIDE SLIDES IN L51 AND R51
6. TWO SLIDE-OUT TOOL BOARDS WITH PEGBOARD PATTERN IN R54
7. ONE VERTICAL PARTITION IN R54
8. HORIZONTAL EQUIPMENT MOUNTING TRACKS IN L52 AND L53
9. TWO HONDA GENERATORS (CTF) IN R54
10. TWO CIRCUIT BREAKER PANELS IN R54

11. ONE HANNAY ELECTRIC REWIND CORD REEL MODEL 1616-17-18 WITH 200' OF 10/3 CABLE IN R54
12. LITTLE GIANT VELOCITY MODEL 13 15413-001 13' LADDER IN R54
13. ONE 120V NEMA DUPLEX RECEPTACLE IN L51 AND R51

CUSTOMER APPROVAL			
APPROVED BY:			
DATE:			
08JAN20	LST	AZA	CHASSIS DATA
12DEC19	LST	AZA	MAKE
10DEC19	LST	AZA	PIERCE
18NOV19	LST	AZA	MODEL
14NOV19	LST	AZA	ARROW-XT
REV	DATE	BY	CH

		JOB NO.	34333
		SCALE	1:24
TITLE 1500-D-2380P 2350 WATER, 30 FOAM, 244" PUC TANKER BODY (3) CROSSLAYS, DELUGE, HUSKY 3, REAR AND SIDE DUMPS	DATE		
	DRAWN BY	LST	18SEP19
FOR SUN VALLEY FIRE DEPARTMENT SUN VALLEY, IDAHO	CHECKED BY	AZA	26SEP19
	DWG NO.	34333AD	
	SHEET SIZE	D	SHEET NO. 1 OF 1