

PUMPER BODY

Medium Aluminum 2nd Gen Pumper

CHASSIS

Enforcer Chassis

CHASSIS AXLE, FRONT, CUSTOM

18,000 Lb TAK-4 Axle

AXLE, REAR

27,000 Lb Dana Axle

ENGINE

450 HP Cummins L9 Engine

TRANSMISSION

Allison 5th Gen, 3000 EVS P

BUMPER

19" Extended Painted Steel

CAB

7010 Enforcer Cab

BODY WATER TANK

1000 Gallon Poly Water Tank

COMPT, PUMPER, REAR

51.25" FF RollUp Rear Compt

COMPT, PUMPER, LEFT SIDE

152" RollUp Full Height Front & Rear FDLR

COMPT, PUMPER, RIGHT SIDE

152" RollUp Full Height Front & Rear FDLR

FIRE SUPPRESSION PUMPHOUSE

48" Control Zone Side Mount

PUMP

1500 GPM Hale D5D

CROSSLAYS, 1.50"

1.50" Crosslays Not Required

CROSSLAYS, 2.50"

(1) 2.50" Standard Capacity

SPEEDLAYS

(2) 1.50" W/Tray Std. Capacity

GENERATOR

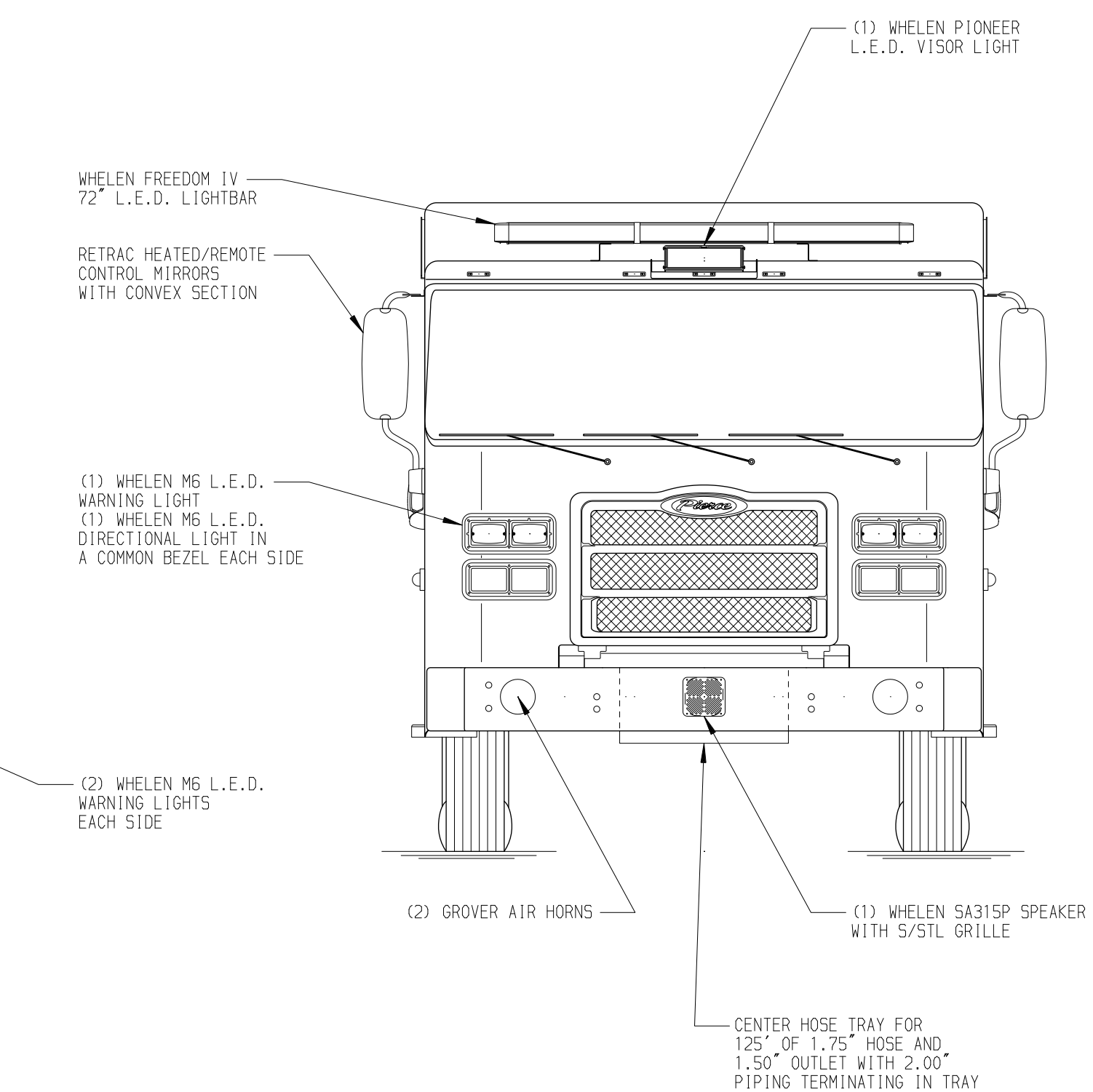
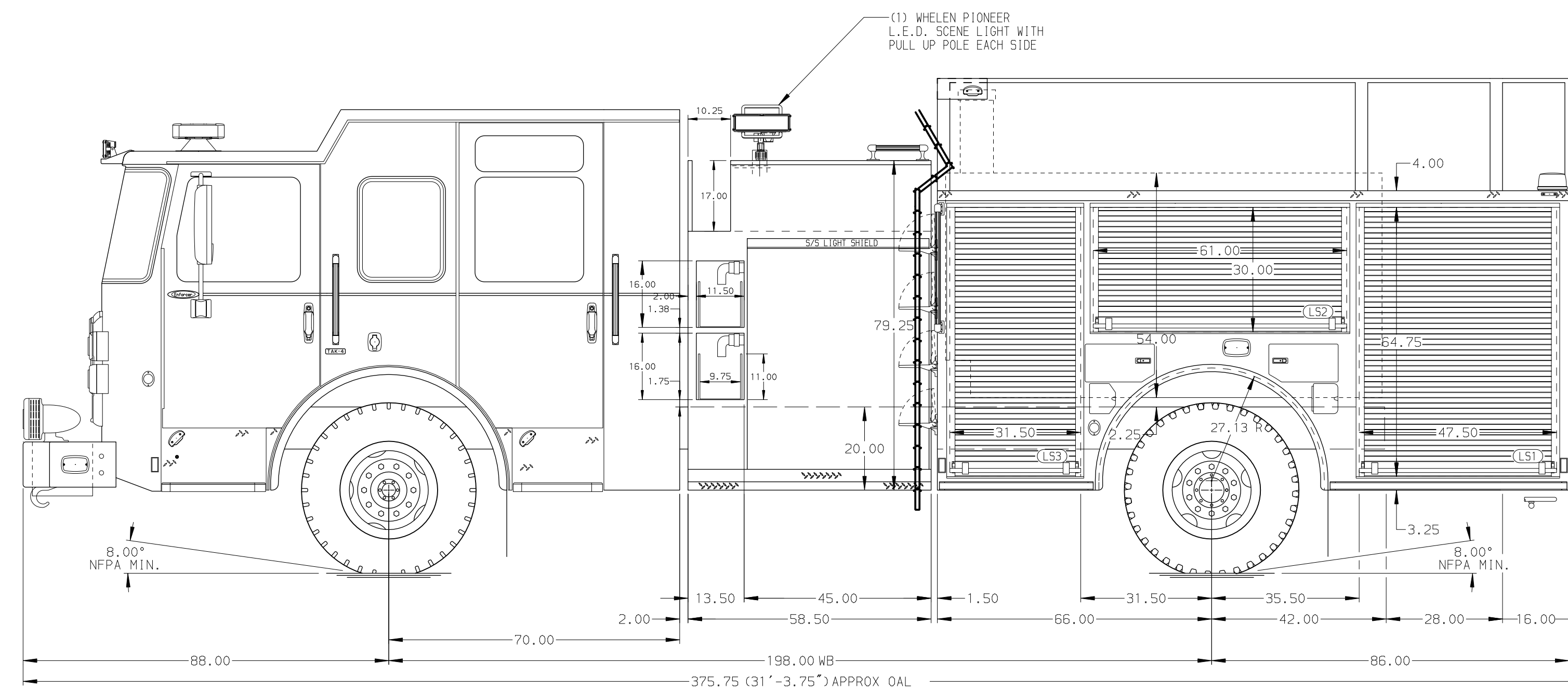
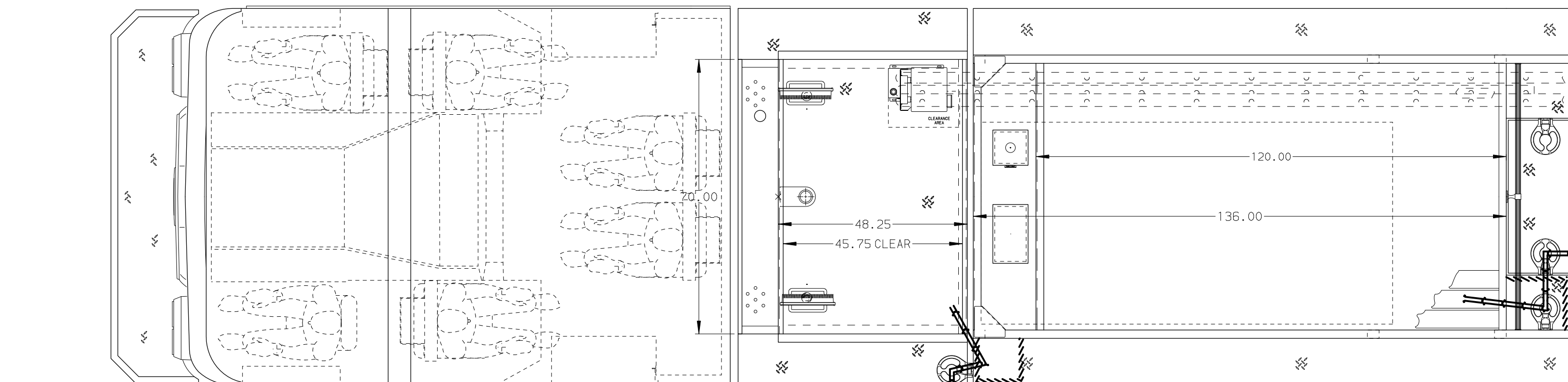
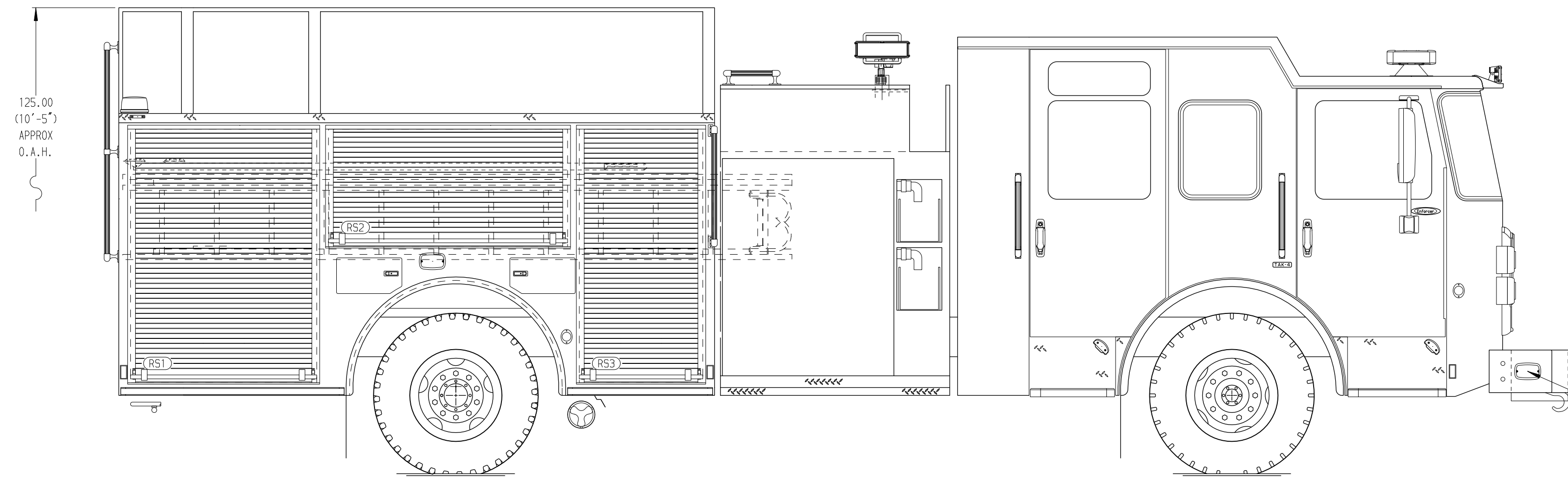
Generator Not Required

Foam System

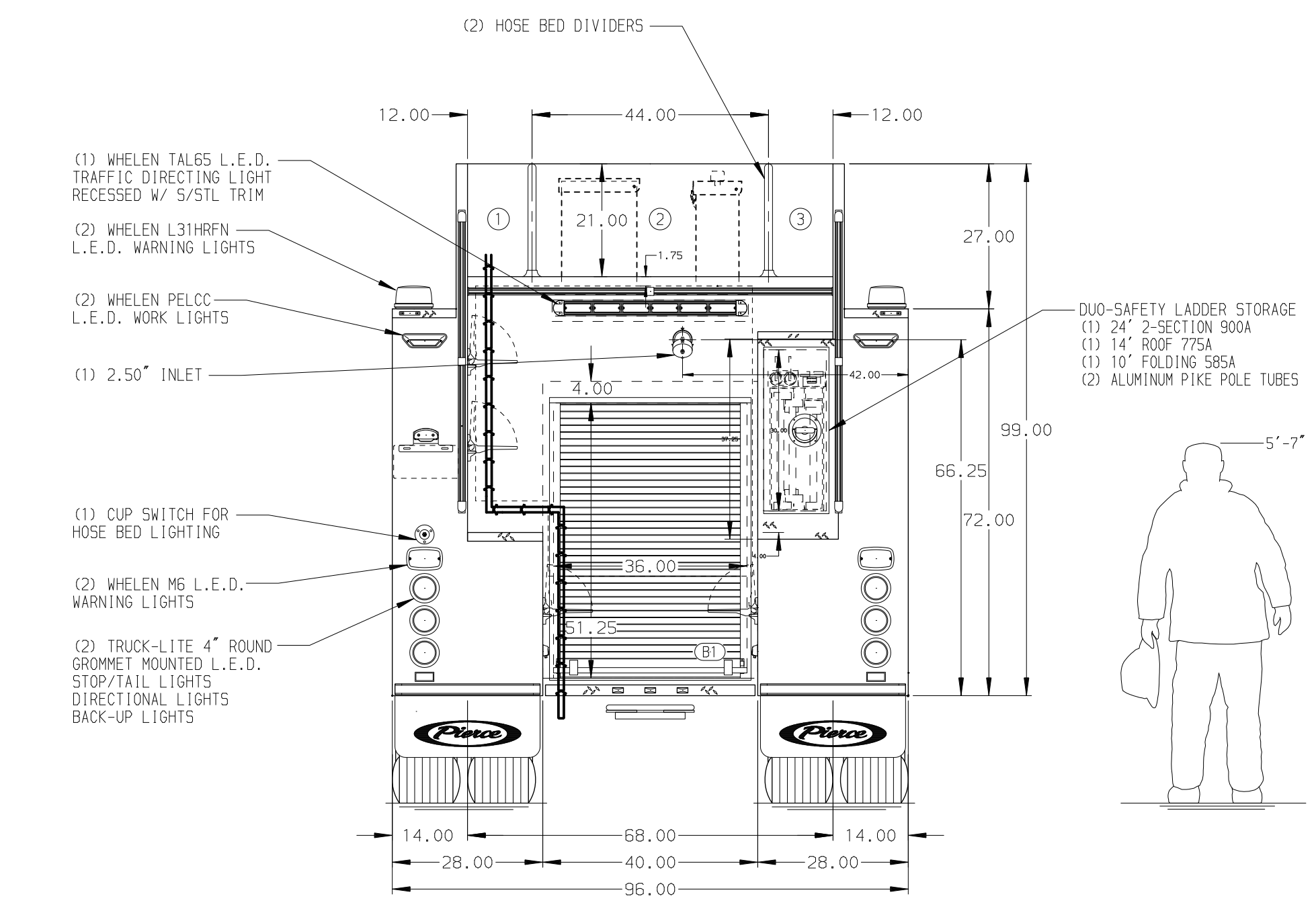
Husky 3 Single Agent Foam System

Foam Cell

20 Gallon Foam Cell, Not Reduced Water



HOSEBED CAPACITY	
BED 1	500' OF 3.00" D.J. POLY HOSE
BED 2	1000' OF 5.00" D.J. POLY HOSE
BED 3	500' OF 3.00" D.J. POLY HOSE



NOTE
DIMENSIONS SHOWN ARE APPROXIMATE AND ARE SUBJECT TO MINOR DEVIATIONS AS MAY OCCUR OR BE NECESSARY IN CONSTRUCTION. MINOR DETAILS NOT SHOWN.

1. SHORELINE RECEPTACLE WITH KUSSMAUL SUPER AUTO-EJECT LOCATED ON DRIVER SIDE OF THE CAB
2. AIR INLET WITH DISCONNECT COUPLING IN THE DRIVER SIDE STEPPWELL
3. BATTERY CHARGER LOCATED IN COMPARTMENT PER SHOP ORDER
4. BATTERY CHARGE INDICATOR LOCATED ON THE DRIVER SIDE SEAT RISER
5. FIVE ADJUSTABLE SHELVES LOCATED PER SHOP ORDER
6. ONE FLOOR MOUNTED SLIDE-OUT TRAY LOCATED PER SHOP ORDER

REV	DATE	BY	CH	ENFORCER
20DEC19	COL	KBO		PIERCE
08NOV19	COL	KBO		MODEL

	TITLE	Pierce Pumper Approval Drawing	JOB NO.	34406
	MAKE	PIERCE	SCALE	1:24
FOR	Mountain Home Volunteer Fire Department	DRAWN BY	COL	100CT19
DWG NO.	34406AD	CHECKED BY	KBO	100CT19
		SHEET SIZE	D	SHEET NO. 1 OF 1