

**PUMPER
BODY**

Medium Aluminum 2nd Gen Pumper

CHASSIS

Arrow XT Chassis

**CHASSIS
AXLE, FRONT, CUSTOM**

19,500 Lb TAK-4 Axle

AXLE, REAR

24,000 Lb Meritor Axle

ENGINE

450 HP Cummins L9 Engine

TRANSMISSION

Allison 5th Gen, 3000 EVS P

BUMPER

19" Extended Stainless Steel

CAB

6700 Arrow XT Cab

BODY

WATER TANK

500 Gallon New York Style Water Tank

COMPT, PUMPER, REAR

30.75" FF RollUp Rear Compt

COMPT, PUMPER, LEFT SIDE

152" Lap Full Height Front & Rear FOLER

COMPT, PUMPER, RIGHT SIDE

152" Lap Full Height Front & Rear FOLER

**FIRE SUPPRESSION
PUMPHOUSE**

45" Control Zone Side Mount

PUMP

2000 GPM Waterous CSU

CROSSLAYS, 1.50"

(2) 1.50" Standard Capacity

CROSSLAYS, 2.50"

2.50" Crosslay Not Required

SPEEDLAYS

Speedlays Not Required

GENERATOR

Generator Not Required

Foam System

Foam System Not Required

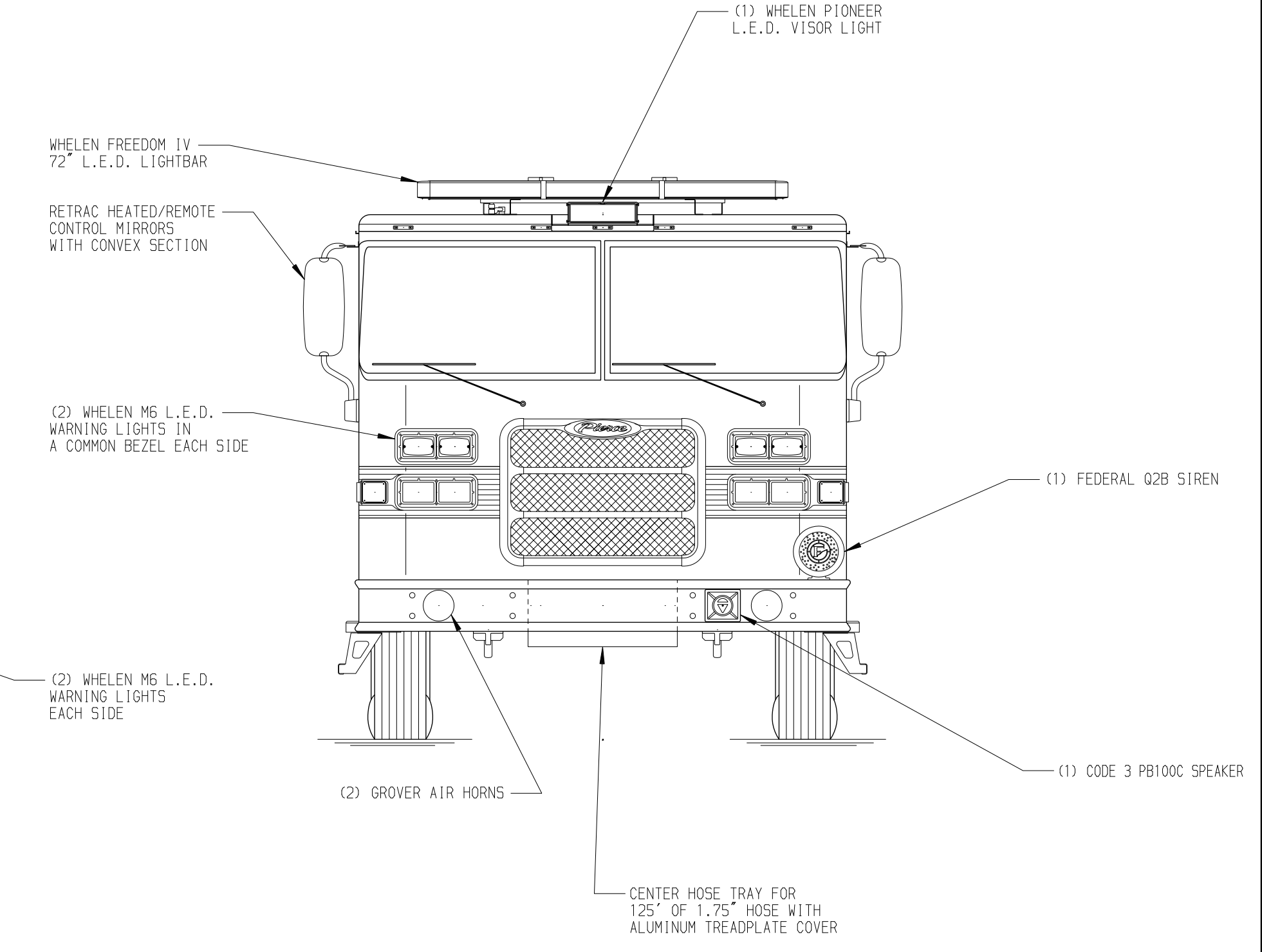
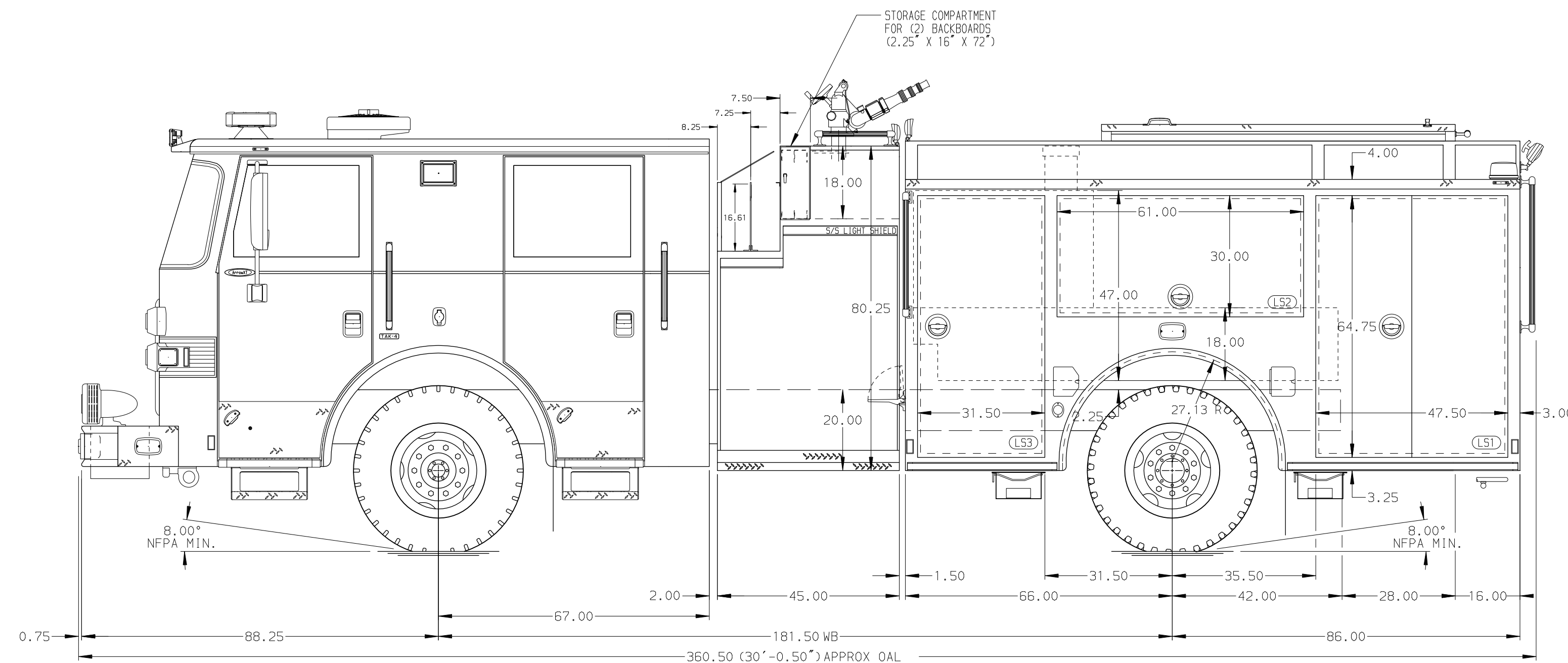
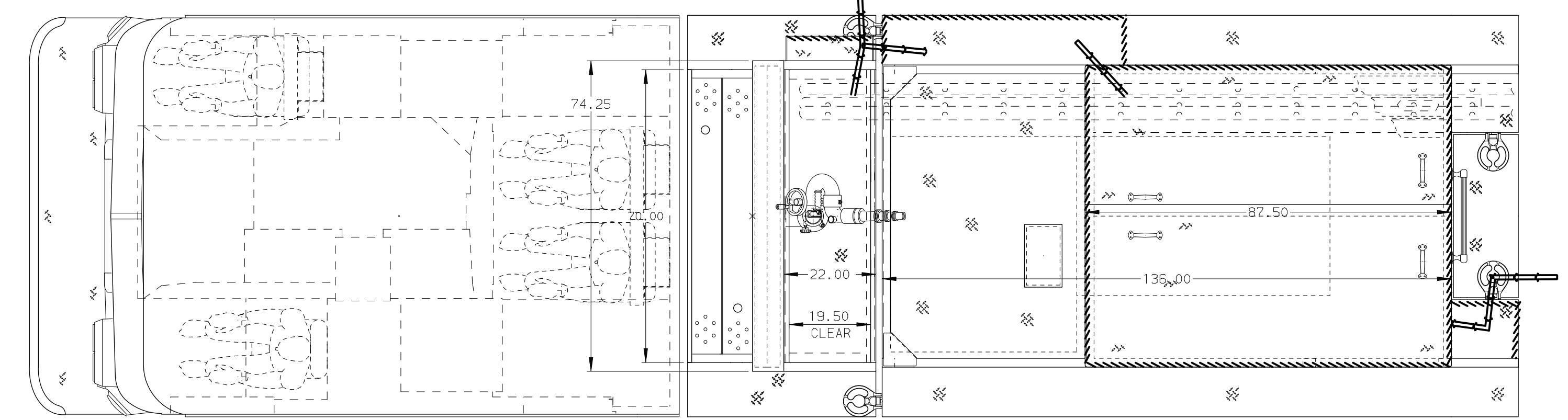
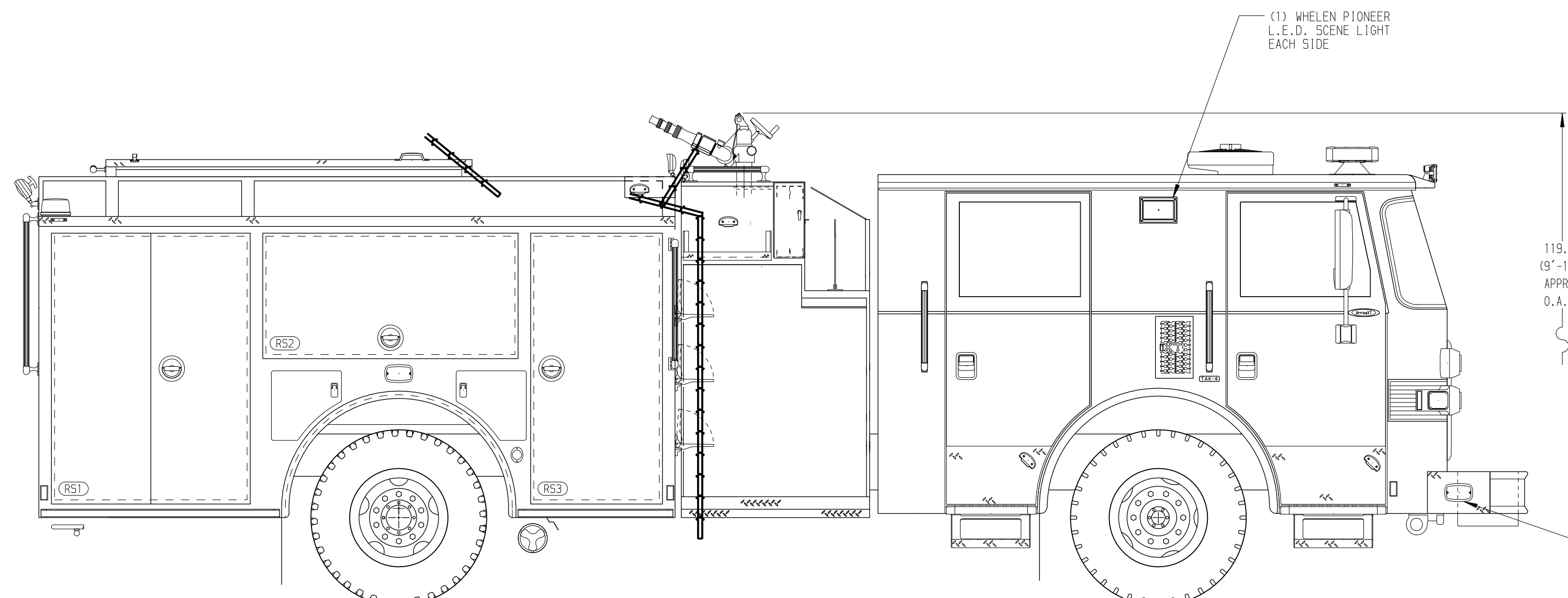
Foam Cell

Foam Cell Not Required

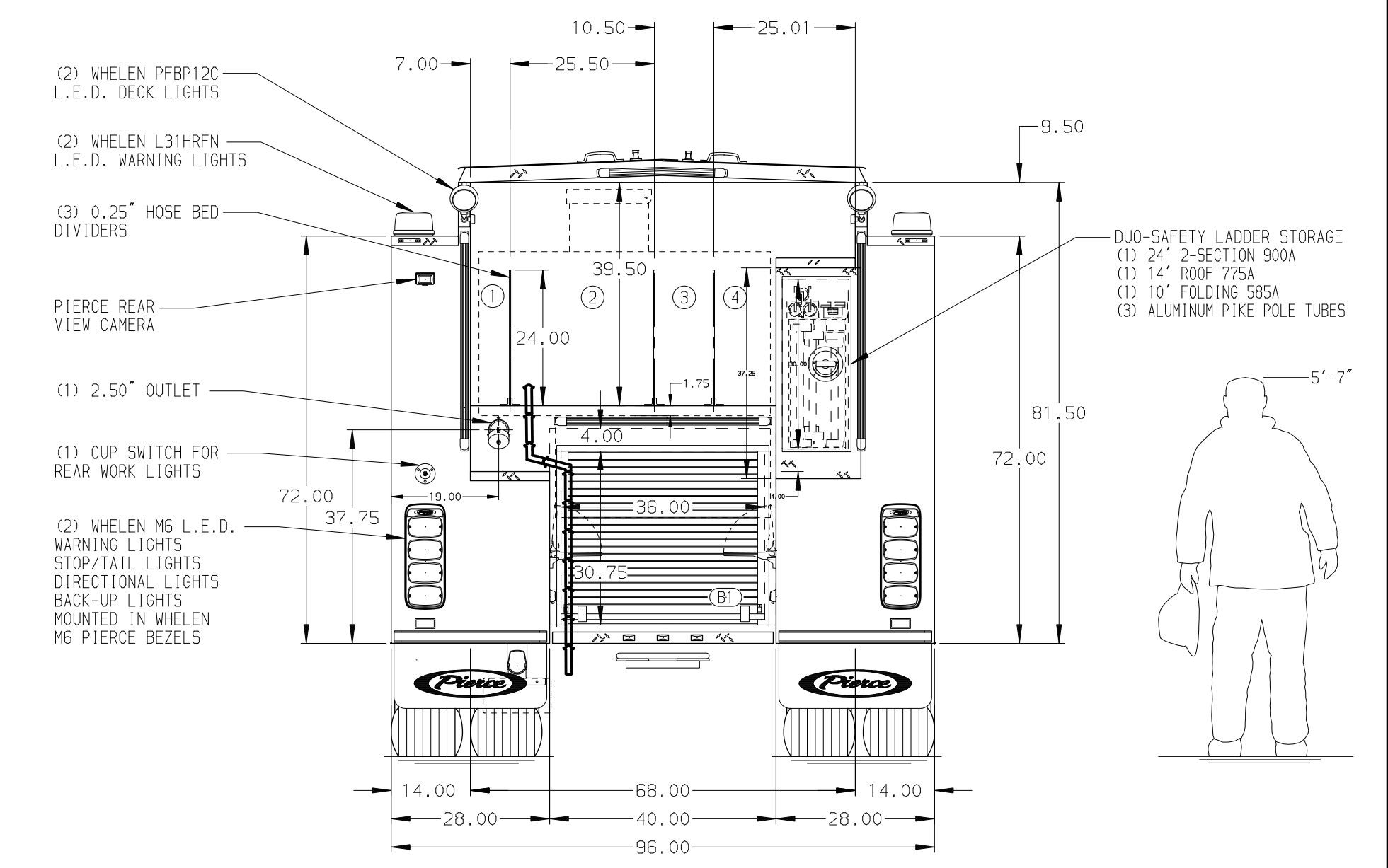
Side Roll and Frontal Impact Protection

NOTE
DIMENSIONS SHOWN ARE APPROXIMATE AND ARE SUBJECT TO MINOR DEVIATIONS AS MAY OCCUR OR BE NECESSARY IN CONSTRUCTION. MINOR DETAILS NOT SHOWN.

1. ONE 1.50" OUTLET WITH 2.00" PIPING AND SWIVEL LOCATED IN CENTER BUMPER TRAY
2. SHORELINE RECEPTACLE WITH KUSSMAUL SUPER AUTO-EJECT LOCATED ON DRIVER SIDE OF THE CAB
3. AIR INLET WITH DISCONNECT COUPLING IN THE DRIVER SIDE STEPWELL
4. BATTERY CHARGER LOCATED IN COMPARTMENT PER SHOP ORDER
5. NINE ADJUSTABLE SHELVES LOCATED PER SHOP ORDER
6. ONE SWING-OUT TOOLBOARD LOCATED PER SHOP ORDER
7. ONE CATCH THREE DRAWER CABINET LOCATED PER SHOP ORDER
8. ONE 120V DUPLEX RECEPTACLE LOCATED PER SHOP ORDER



HOSEBED CAPACITY	
BED 1	200' OF 2.50" DJ POLY HOSE
BED 2	600' OF 5.00" DJ POLY HOSE
BED 3	400' OF 2.50" DJ POLY HOSE
BED 4	400' OF 2.50" DJ POLY HOSE



		JOB NO.	34414
		SCALE	DATE
Pierce Pumper Approval Drawing Rock Island Fire Department		DRAWN BY	140CT19
		CHECKED BY	230CT19
DWG NO. 34414AD		SHEET SIZE	SHEET NO.
		D	1 OF 1

REV	DATE	BY	CH	ARROW XT
1	18NOV19	COL	KBO	PIERCE
2	31OCT19	COL	KBO	MODEL