

PUMPER BODY

Long Aluminum 2nd Gen Pumper

CHASSIS

Enforcer Chassis

CHASSIS AXLE, FRONT, CUSTOM

19,500 Lb TAK-4 Axle

AXLE, REAR

24,000 Lb Dana Axle

ENGINE

450 HP Cummins L9 Engine

TRANSMISSION

Allison 5th Gen, 3000 EVS P

BUMPER

19" Extended Painted Steel

CAB

7010 Enforcer Cab

BODY

WATER TANK

750 Gallon Poly Water Tank
COMPT, PUMPER, REAR
37.75" FF RollUp Rear Compt

COMPT, PUMPER, LEFT SIDE

161" RollUp Full Height Front & Rear FDLR

COMPT, PUMPER, RIGHT SIDE

161" RollUp Full Height Front & Rear FDLR

FIRE SUPPRESSION PUMPHOUSE

50" Control Zone Side Mount

PUMP

1500 GPM Waterous CSU

CROSSLAYS, 1.50"

(2) 1.50" Standard Capacity

CROSSLAYS, 2.50"

(1) 2.50" Standard Capacity

SPEEDLAYS

Speedlays Not Required

GENERATOR

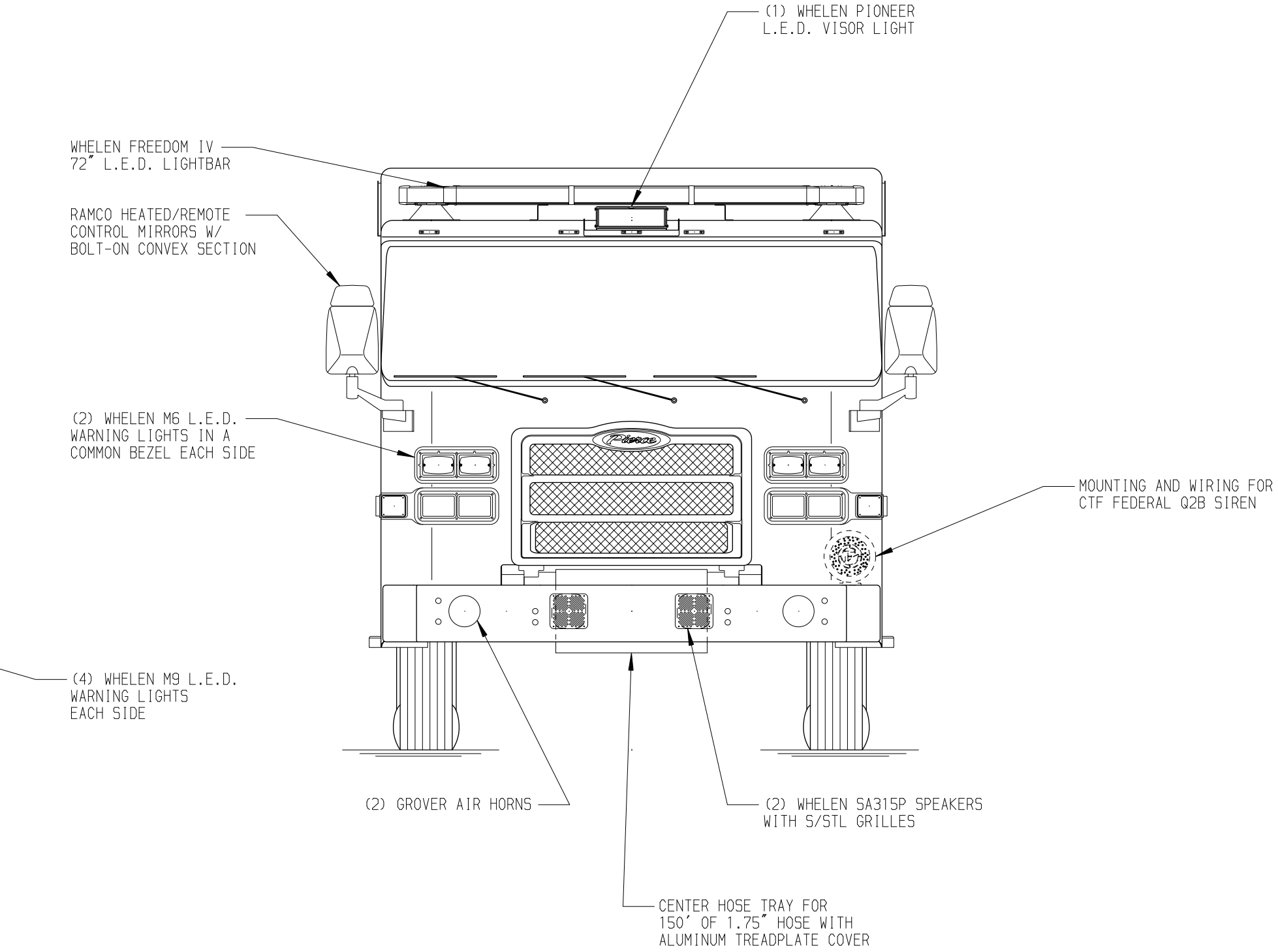
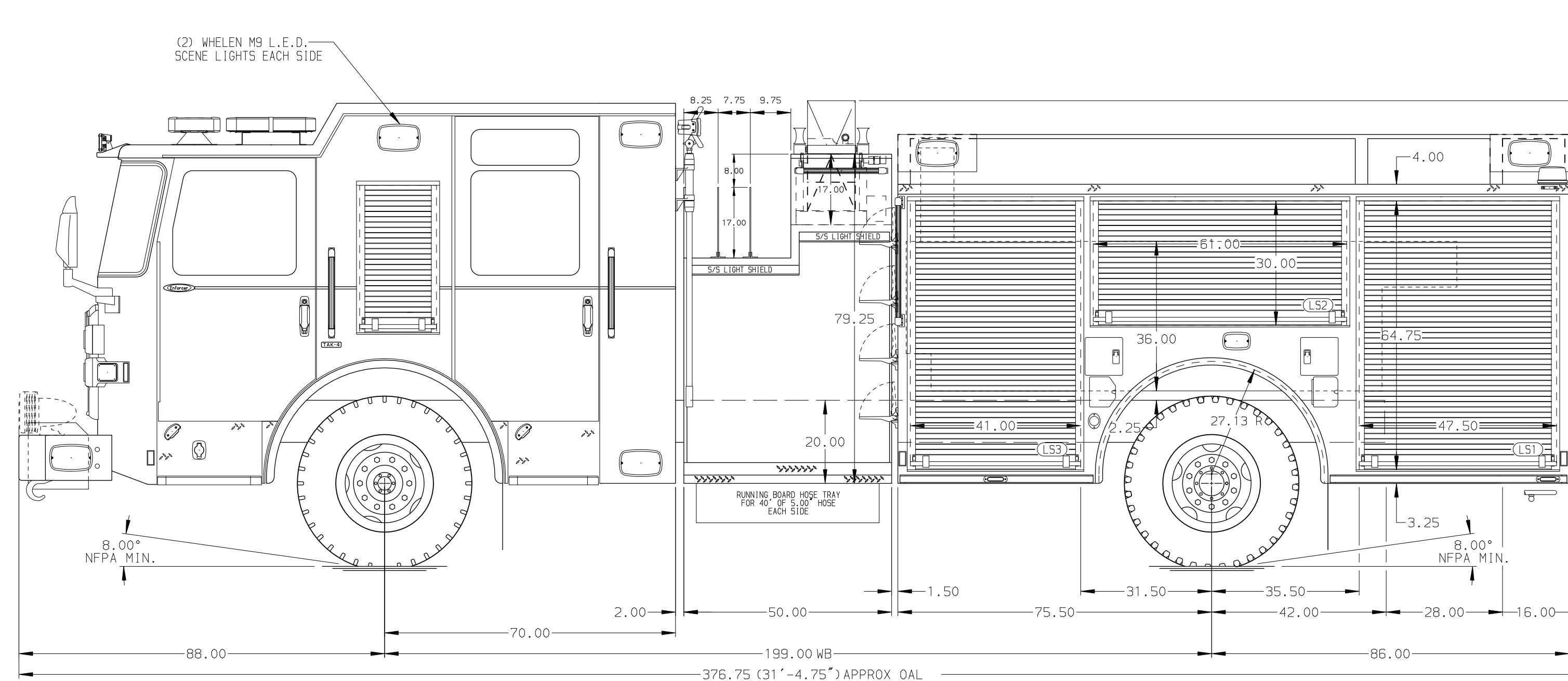
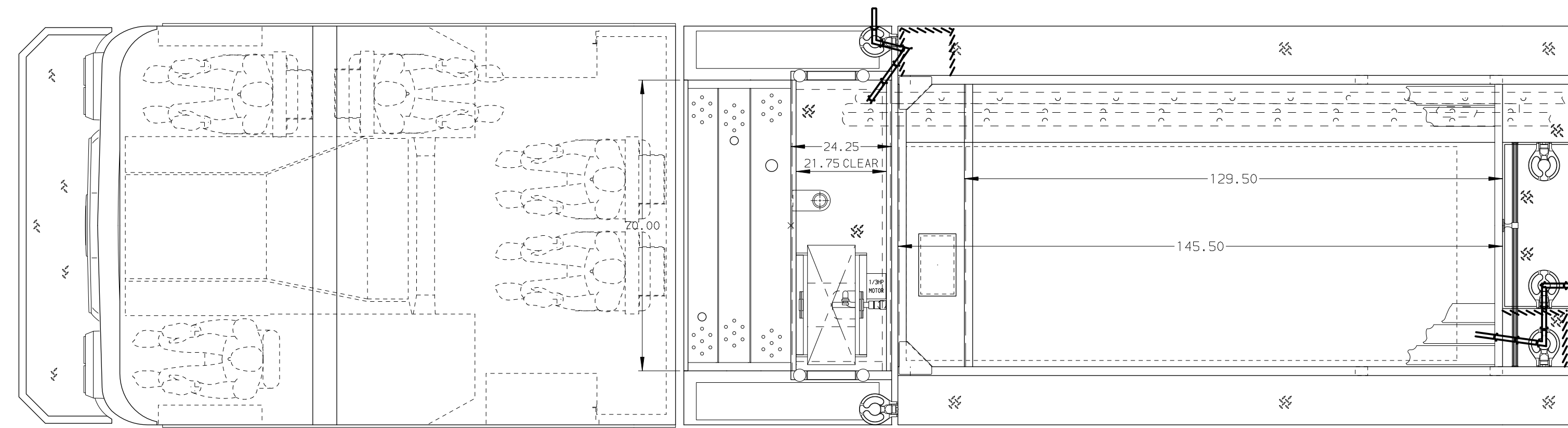
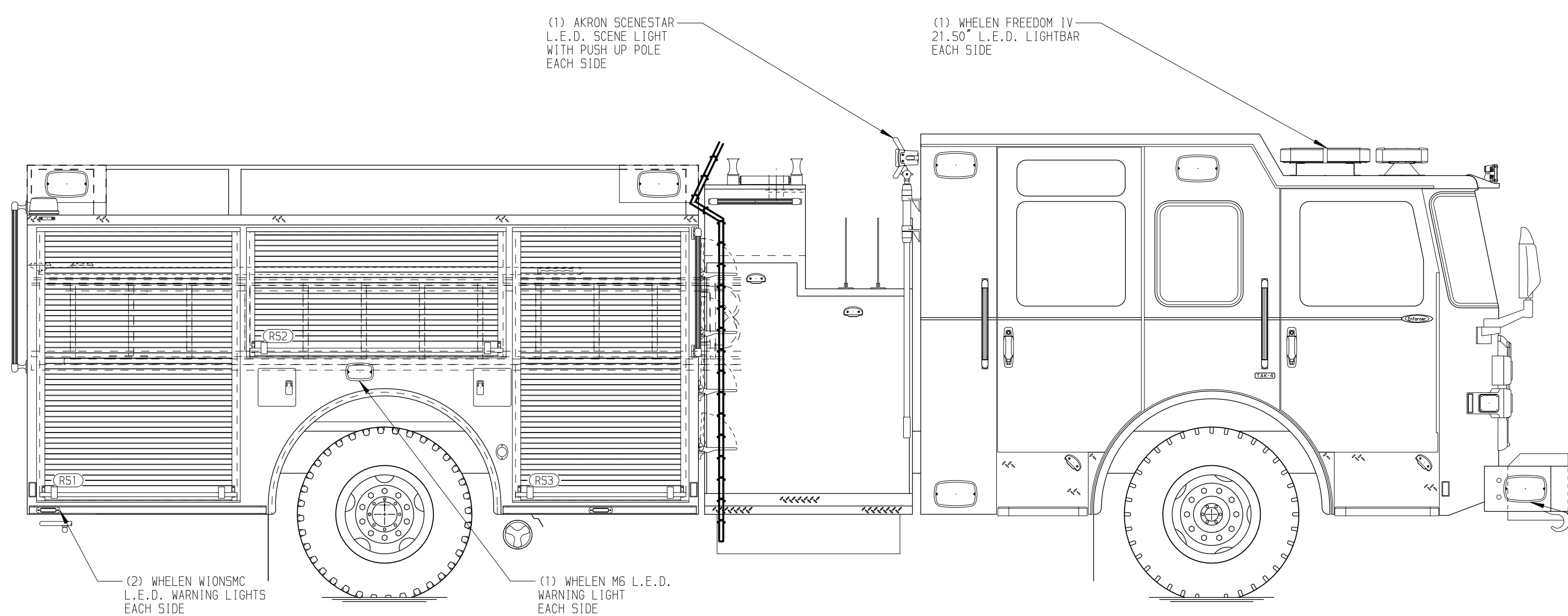
Generator Not Required

Foam System

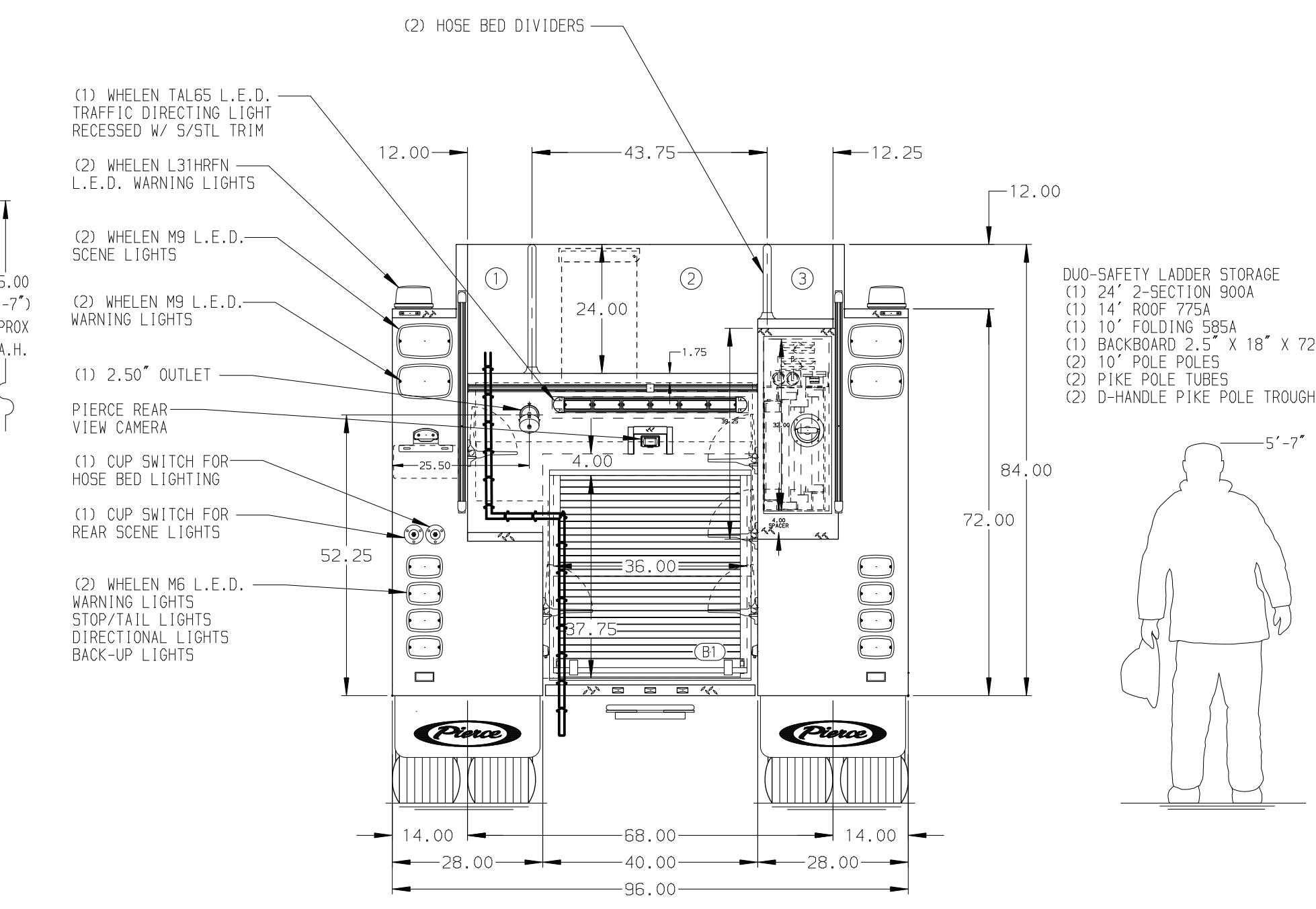
Foam System Not Required

Foam Cell

Foam Cell Not Required



HOSEBED CAPACITY	
BED 1	400' OF 3.00" D.J. POLY HOSE
BED 2	1000' OF 5.00" D.J. POLY HOSE
BED 3	OPEN AREA



NOTE
DIMENSIONS SHOWN ARE APPROXIMATE AND ARE SUBJECT TO MINOR DEVIATIONS AS MAY OCCUR OR BE NECESSARY IN CONSTRUCTION. MINOR DETAILS NOT SHOWN.

- ONE 1.50 OUTLET WITH 2.00 PIPING AND SWIVEL LOCATED IN CENTER BUMPER TRAY
- SHORELINE RECEPTACLE WITH KUSSMAUL SUPER AUTO-EJECT LOCATED IN DRIVER'S STEP AREA
- AIR INLET/OUTLET WITH DISCONNECT COUPLING IN THE DRIVER'S SIDE PUMP PANEL
- BATTERY CHARGER LOCATED IN COMPARTMENT PER SHOP ORDER
- BATTERY CHARGE INDICATOR LOCATED ON THE DRIVER SIDE SEAT RISER
- SEVEN ADJUSTABLE SHELVES LOCATED PER SHOP ORDER
- THREE FLOOR MOUNTED SLIDE-OUT TRAY LOCATED PER SHOP ORDER
- ONE SWING-OUT TOOLBOARD LOCATED PER SHOP ORDER
- HANNAY BOOSTER REEL MODEL EF20-30-31 WITH CAPACITY FOR 150' OF 1.00" BOOSTER HOSE LOCATED IN CARGO AREA

REV	DATE	BY	CH	ENFORCER
1	18NOV19	COL	KBO	PIERCE
2	14NOV19	COL	KBO	PIERCE

		JOB NO.	34478
		SCALE	DATE
TITLE	Pierce Pumper Approval Drawing		
FOR	Douglas County Fire Department		
DWG NO.	34478AD		
DRAWN BY	COL	280CT19	
CHECKED BY	KBO	280CT19	
SHEET SIZE	D	SHEET NO.	1 OF 1