

Pumper, PUC

Body
Pumper, PUC, Aluminum
CHASSIS
Enforcer Chassis, PUC

CHASSIS AXLE, FRONT, CUSTOM

18,000 Lb Meritor Axle

AXLE, REAR

27,000 Lb Meritor Axle

ENGINE

450 HP Cummins L9 Engine

TRANSMISSION

Allison 5th Gen, 3000 EVS P

BUMPER

26" Extended Painted Steel

CAB

7010 Enforcer Cab, PUC

BODY

WATER TANK

750 Gallon Poly Water Tank

COMPT, PUMPER, REAR

40.50" FF RollUp Rear Compt w/Tailboard, PUC

COMPT, PUMPER, LEFT SIDE

189" RollUp Full Height & Depth Front & Rear, PUC

COMPT, PUMPER, RIGHT SIDE

189" RollUp Full Height & Depth Front & Rear, PUC

FIRE SUPPRESSION PUMPHOUSE

Control Zone, PUC

PUMP

1500 GPM Pierce PUC

CROSSLAYS, 1.50"

1.50" Crosslay Not Required

CROSSLAYS, 2.50"

2.50" Crosslay Not Required

GENERATOR

Generator Not Required

Foam System

External Foam System

Foam Cell

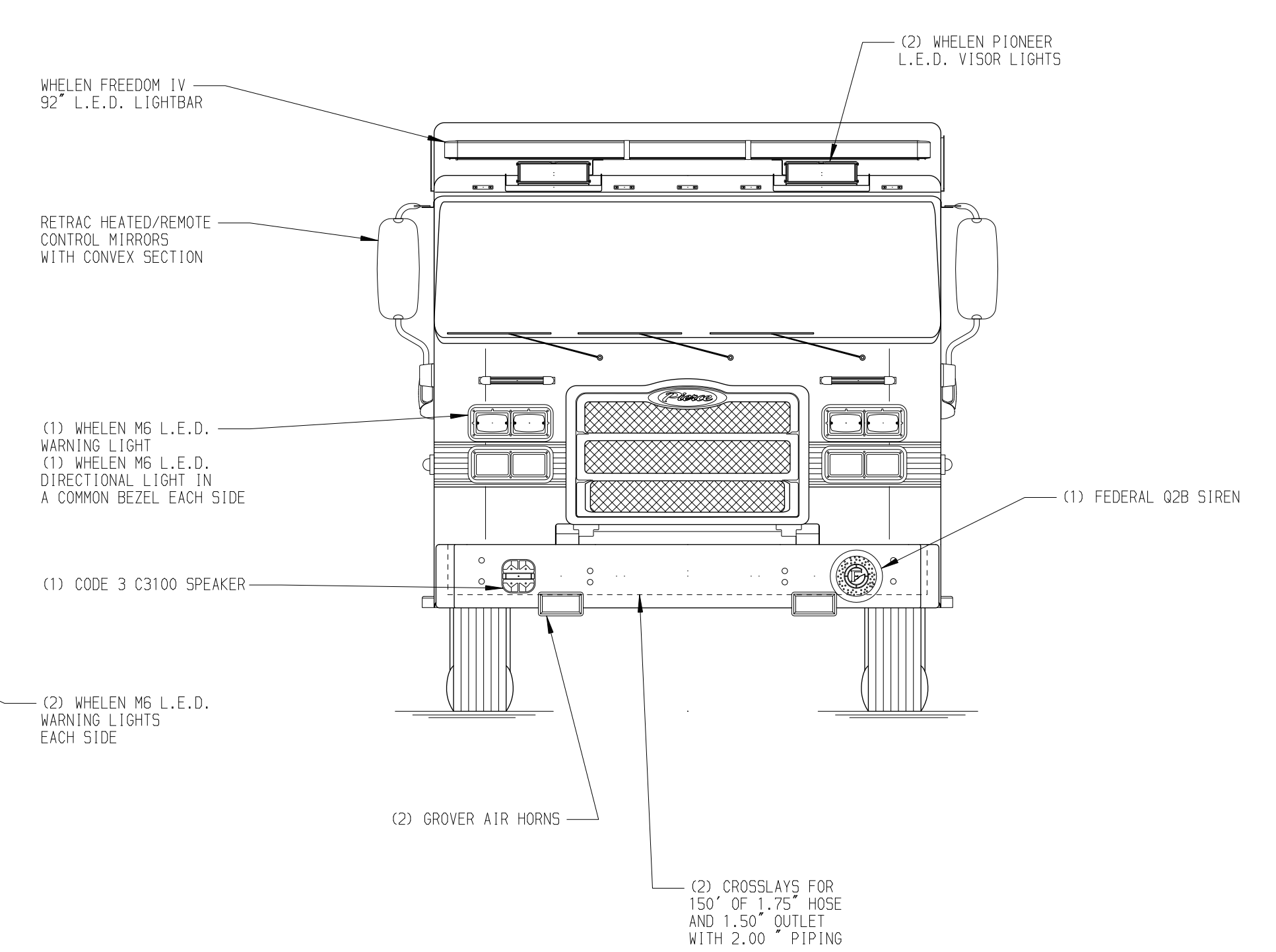
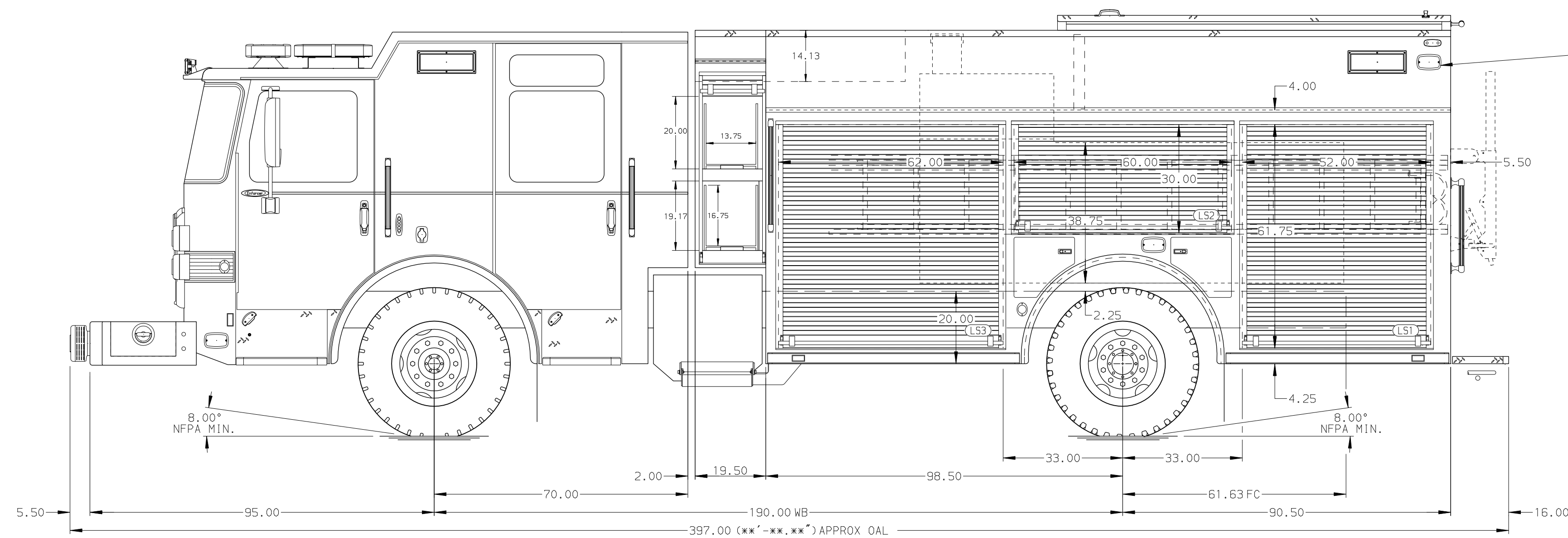
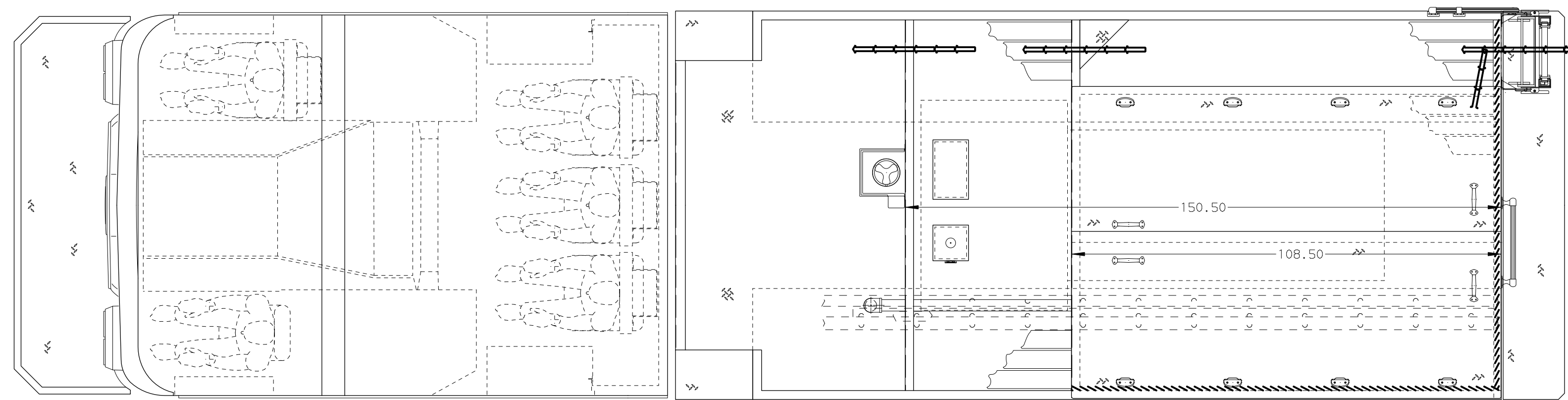
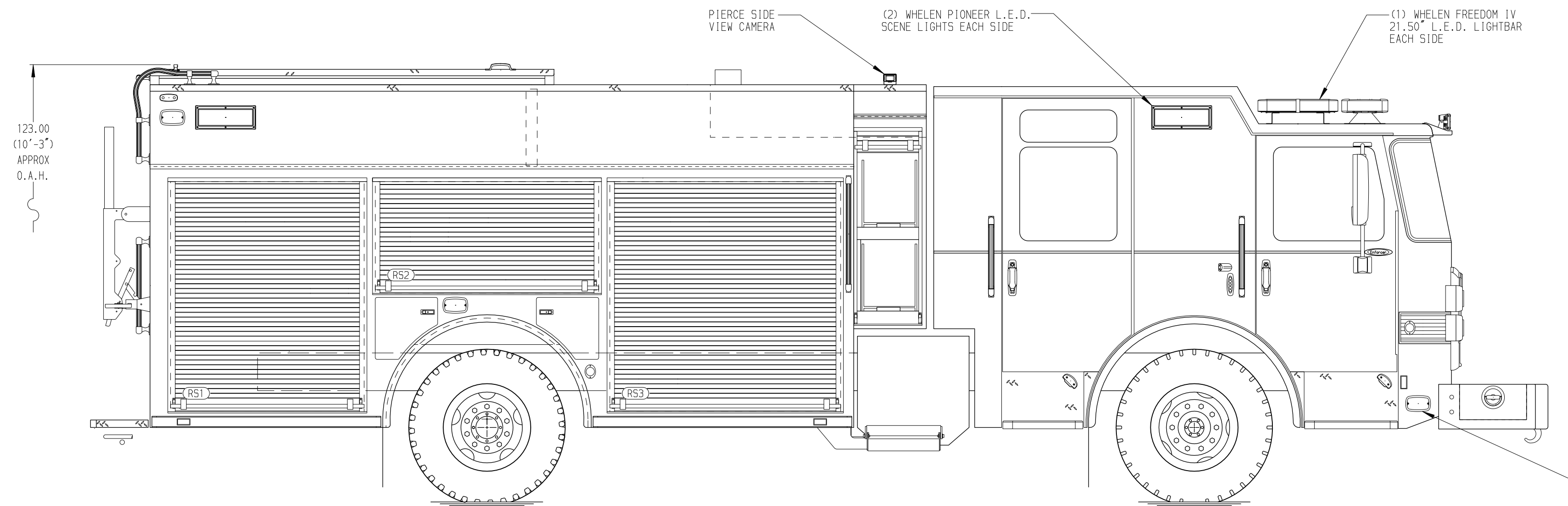
30 Gallon Foam Cell, Not Reduced Water, PUC

Frontal Impact Protection

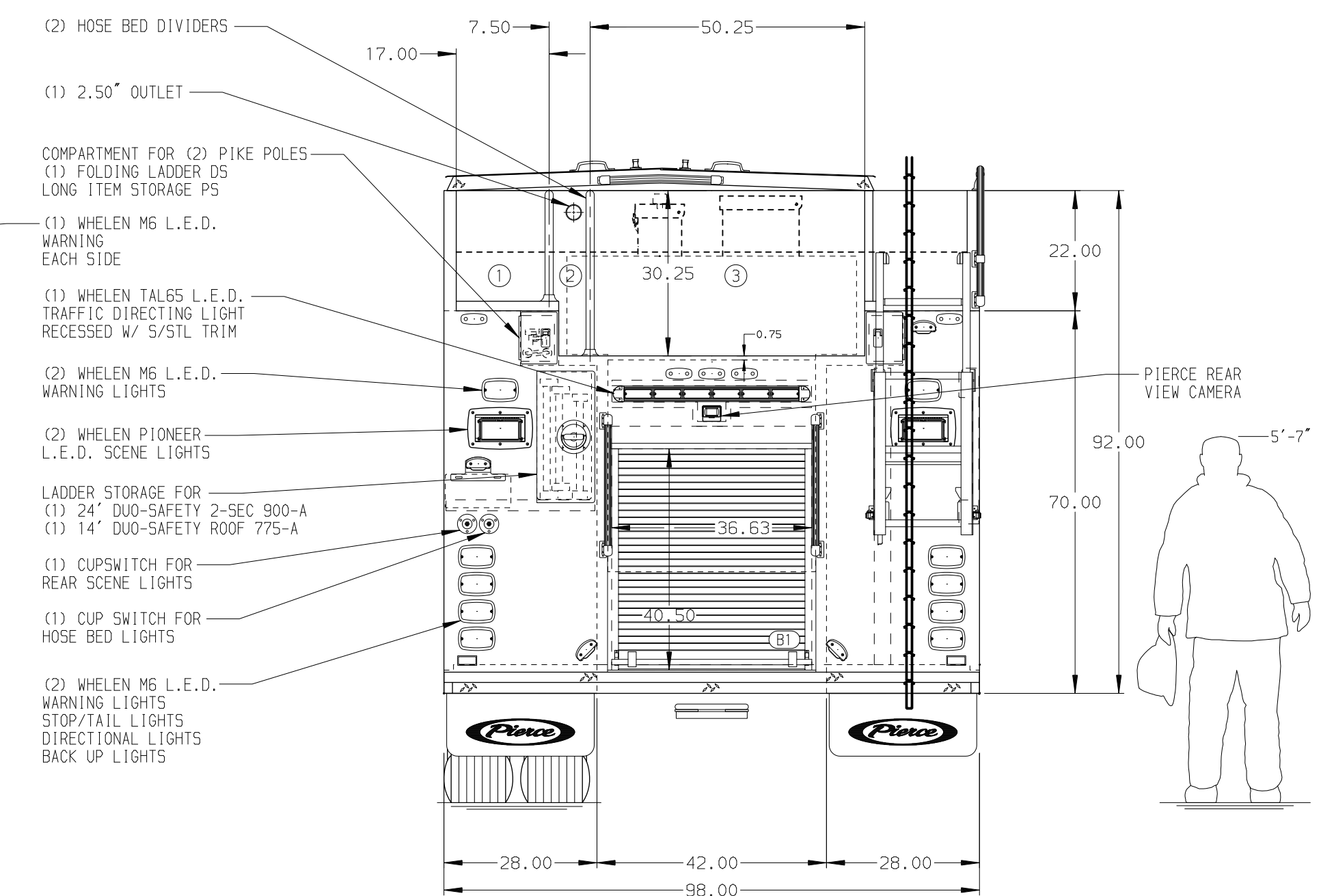
NOTE
DIMENSIONS SHOWN ARE APPROXIMATE AND ARE SUBJECT TO MINOR DEVIATIONS AS MAY OCCUR OR BE NECESSARY IN CONSTRUCTION. MINOR DETAILS NOT SHOWN.

1. SHORELINE RECEPTACLE WITH KUSSMAUL SUPER AUTO-EJECT LOCATED ON DRIVER SIDE OF CAB
2. AIR INLET WITH DISCONNECT COUPLING IN THE DRIVER SIDE STEPWELL
3. BATTERY CHARGER LOCATED IN COMPARTMENT PER SHOP ORDER
4. NINE ADJUSTABLE SHELVES LOCATED PER SHOP ORDER
5. ONE FLOOR MOUNTED SLIDE-OUT TRAY LOCATED PER SHOP ORDER
6. ONE SLIDE-OUT TOOLBOARD LOCATED PER SHOP ORDER
7. ONE SWING-OUT TOOLBOARD LOCATED PER SHOP ORDER
8. PAC TRAC LOCATED PER SHOP ORDER
9. TWO VERTICAL PARTITIONS LOCATED PER SHOP ORDER

10. PARTITIONS BETWEEN COMPARTMENTS L51/B1
11. THREE 120V DUPLEX RECEPTACLES LOCATED PER SHOP ORDER
12. ONE 120V 6-PLATE RECEPTACLE LOCATED PER SHOP ORDER



HOSEBED CAPACITY	
BED 1	400' OF 3.00" D.J. POLY HOSE
BED 2	200' OF 2.50" D.J. POLY HOSE
BED 3	1200' OF 5.00" D.J. POLY HOSE



REV	DATE	BY	CH	ENFORCER
20DEC19	COL	KBO		PIERCE
19NOV19	COL	KBO		MODEL

		JOB NO.	34575
		SCALE	DATE
TITLE	Pierce PUC Pumper Approval Packet	DRAWN BY	COL
FOR	West Manatee Fire Rescue	CHECKED BY	KBO
DWG NO.	34575AD	SHEET SIZE	SHEET NO.
		D	1 OF 1