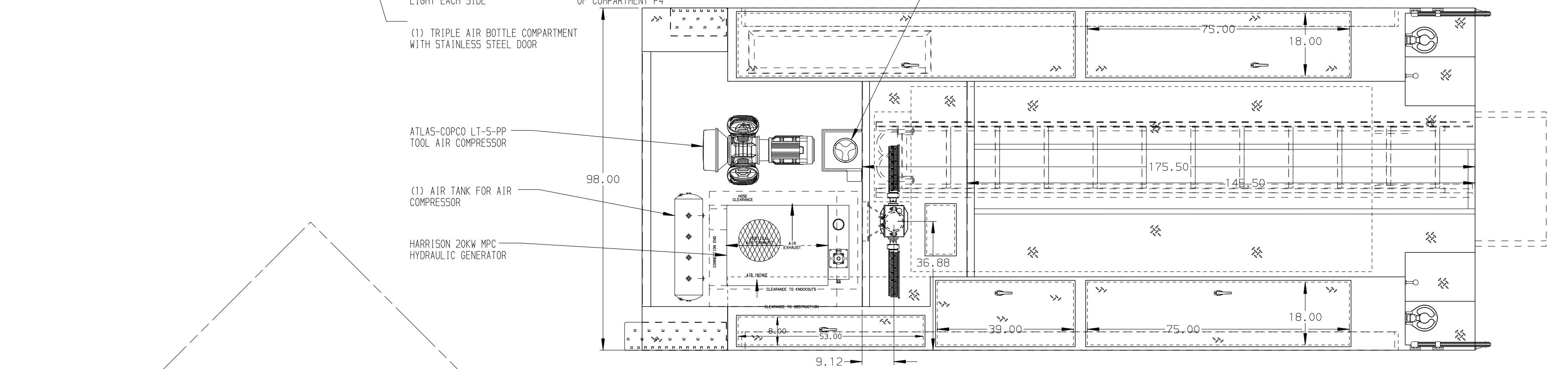
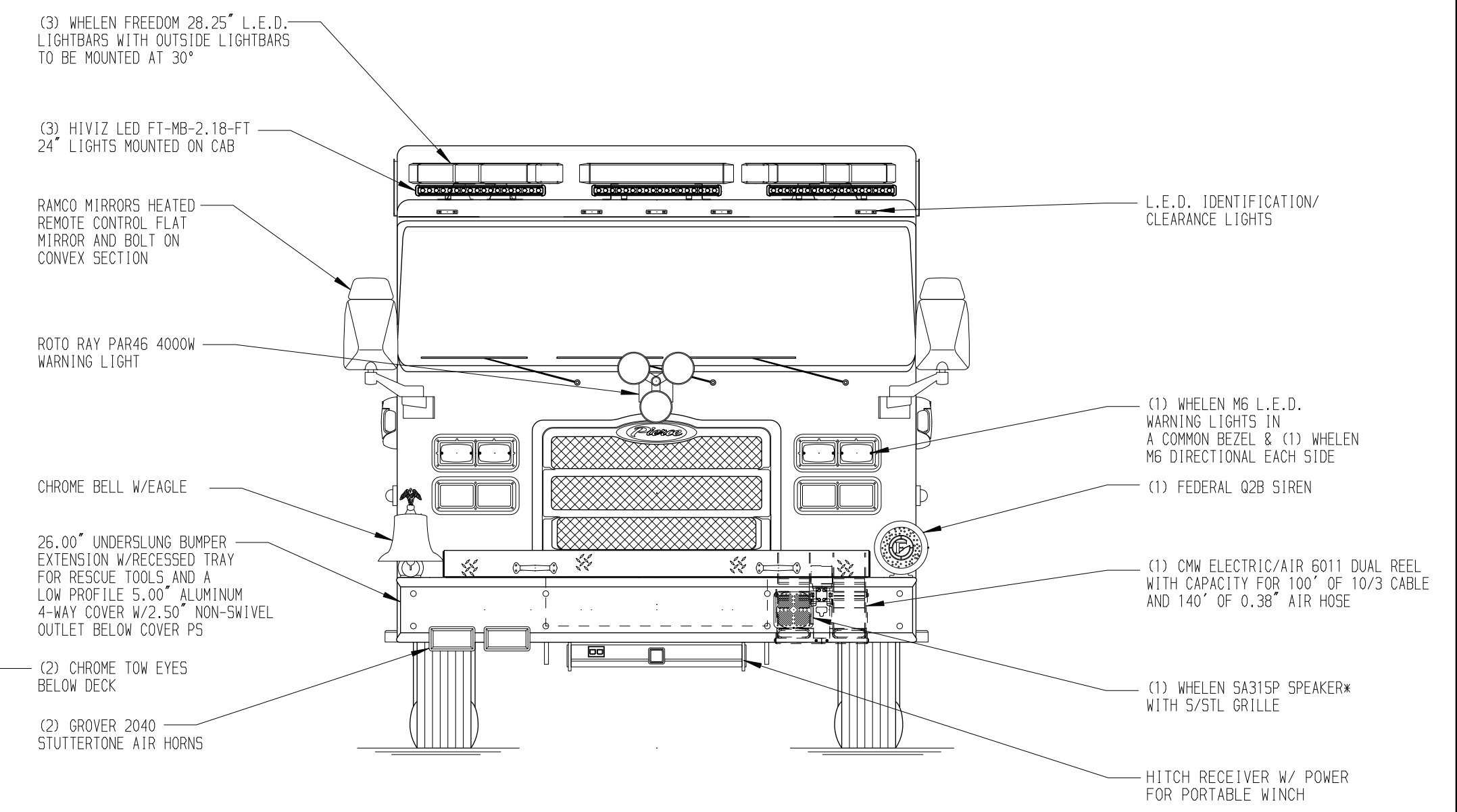
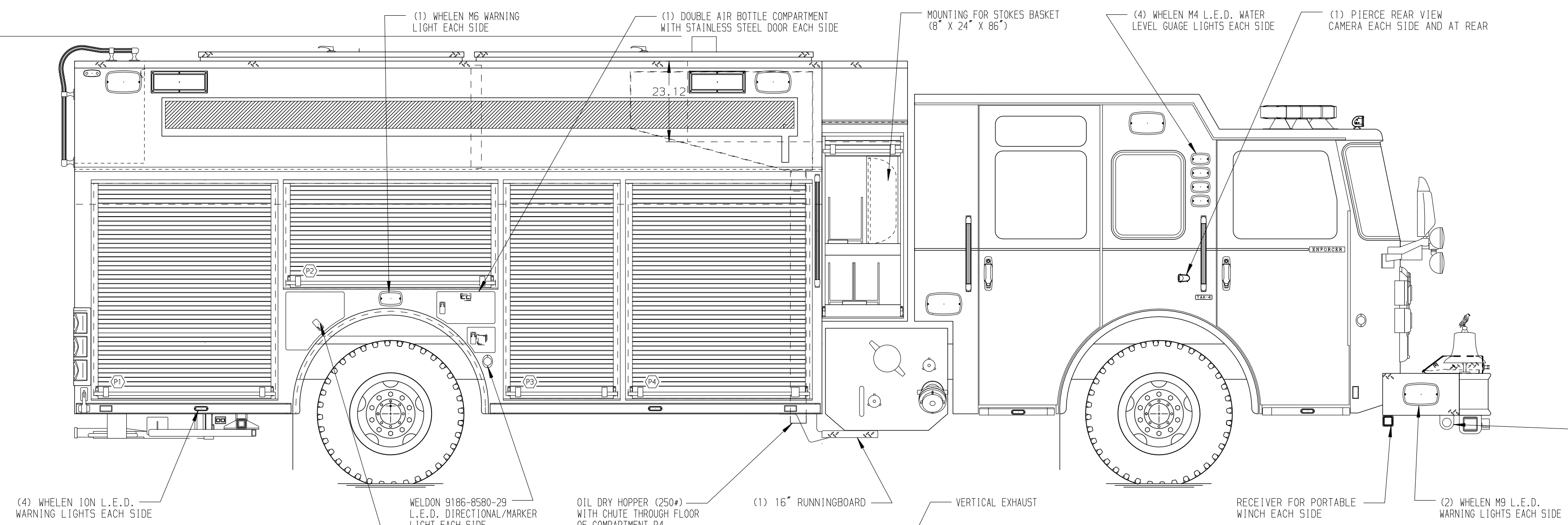
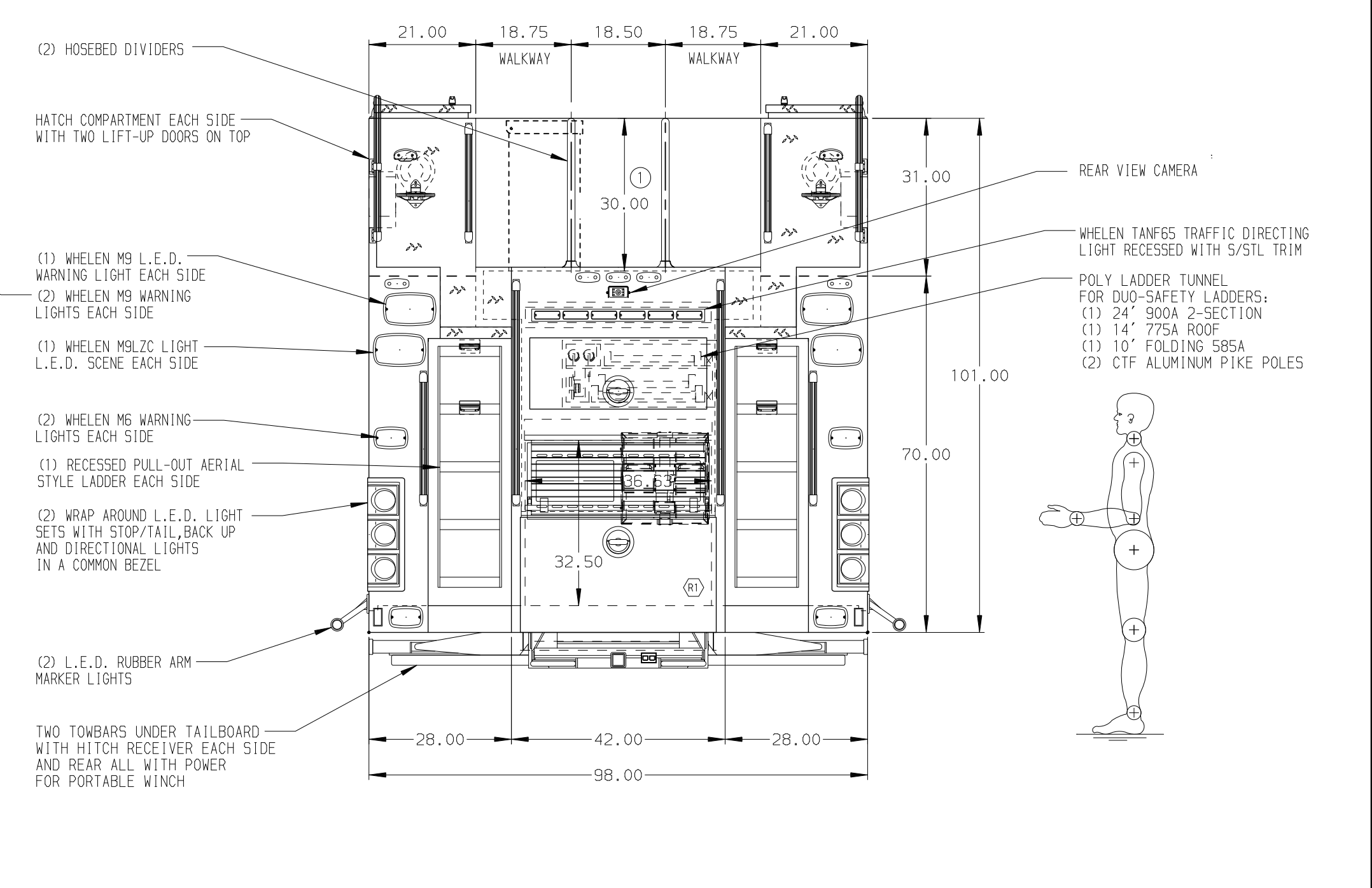
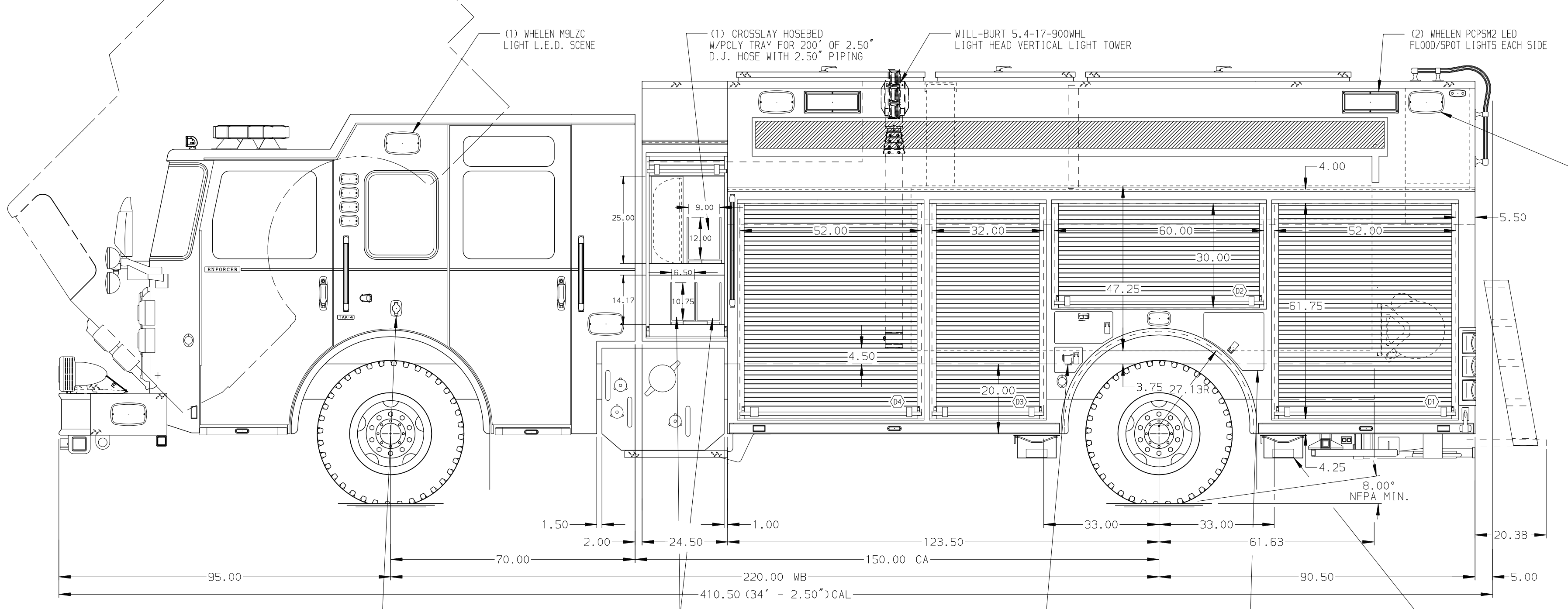


132.00  
(11'-0")  
APPROX  
O.A.H.



HOSEBED CAPACITIES  
① - 900' OF 5.00" HOSE



ALUMINUM BODY

SIDE ROLL PROTECTION

**NOTE**  
DIMENSIONS SHOWN ARE APPROXIMATE AND ARE SUBJECT TO MINOR DEVIATIONS AS MAY OCCUR OR BE NECESSARY IN CONSTRUCTION. MINOR DETAILS NOT SHOWN.

- BATTERY CHARGER/AIR COMPRESSOR LOCATED BEHIND DRIVERS SEAT AREA
- BATTERY CHARGER INDICATOR LOCATED ON D.S. SEAT RISER
- ONE ADJUSTABLE FULL WIDTH/FULL DEPTH SHELF IN COMPARTMENT P3, TWO IN D3
- ONE ADJUSTABLE SLIDE-OUT TRAY IN COMPARTMENT D1, P1 & P4
- ONE ADJUSTABLE TILTING SLIDE-OUT TRAY IN COMPARTMENT D1, P1, P4, TWO IN P2
- ONE FLOOR MOUNTED SLIDE-OUT TRAY IN COMPARTMENT D1, P1, P3 & R1
- ONE SLIDE-OUT BRUSHED ALUMINUM TOOL BOARD IN COMPARTMENT D1 & P4
- TWO SWING-OUT ALUMINUM TOOL BOARDS IN COMPARTMENT D2
- ONE ALUMINUM VERTICAL DIVIDER IN COMPARTMENT D1, D3 & P4
- RACK FOR (7) AIR BAGS IN COMPARTMENT P3
- AIR INLET WITH DISCONNECT COUPLING LOCATED ON D5 STEP WELL
- CIRCUIT BREAKER PANEL IN COMPARTMENT D4
- ONE CMW 6011 REEL WITH 140' OF 0.38" AIR HOSE & 100' OF 10/3 CABLE IN COMPARTMENT R1
- CLASSIC 10101 MODEL 13 LITTLE GIANT LADDER LOCATED D3
- STAINLESS STEEL FENDER CROWNS ON CAB AND BODY
- 6-PLACE 120V RECEPTACLE STRIP LOCATED IN CAB & COMPARTMENT P4
- ONE FIXED SHELF IN COMPARTMENT D4
- CTECH CABINET IN COMPARTMENT P4
- PVC TUBE STORAGE IN COMPARTMENT P3
- CABLE RELEASE ON TILT SLIDE-OUT TRAYS

REV	DATE	BY	CH	ENFORCER
03DEC15		AMI	ANG	MAKE
30OCT15		AMI	ANG	PIERCE
06APR15		AMI	WKL	MODEL

		JOB NO.	28535
		SCALE	DATE
<b>TITLE</b> 1500-D-750P 214" PUC RESCUE BODY, (3)XLAYS, GENERATOR LADDER TUNNEL, WILL-BURT LIGHT TOWER, AIR COMPRESSOR	<b>FOR</b> TOWN OF ABINGDON ABINGDON, VIRGINIA	DRAWN BY	27MAR15
		CHECKED BY	27MAR15
<b>DWG NO.</b>	28535AD-SH1	SHEET SIZE	SHEET NO.
		D	1 OF 2