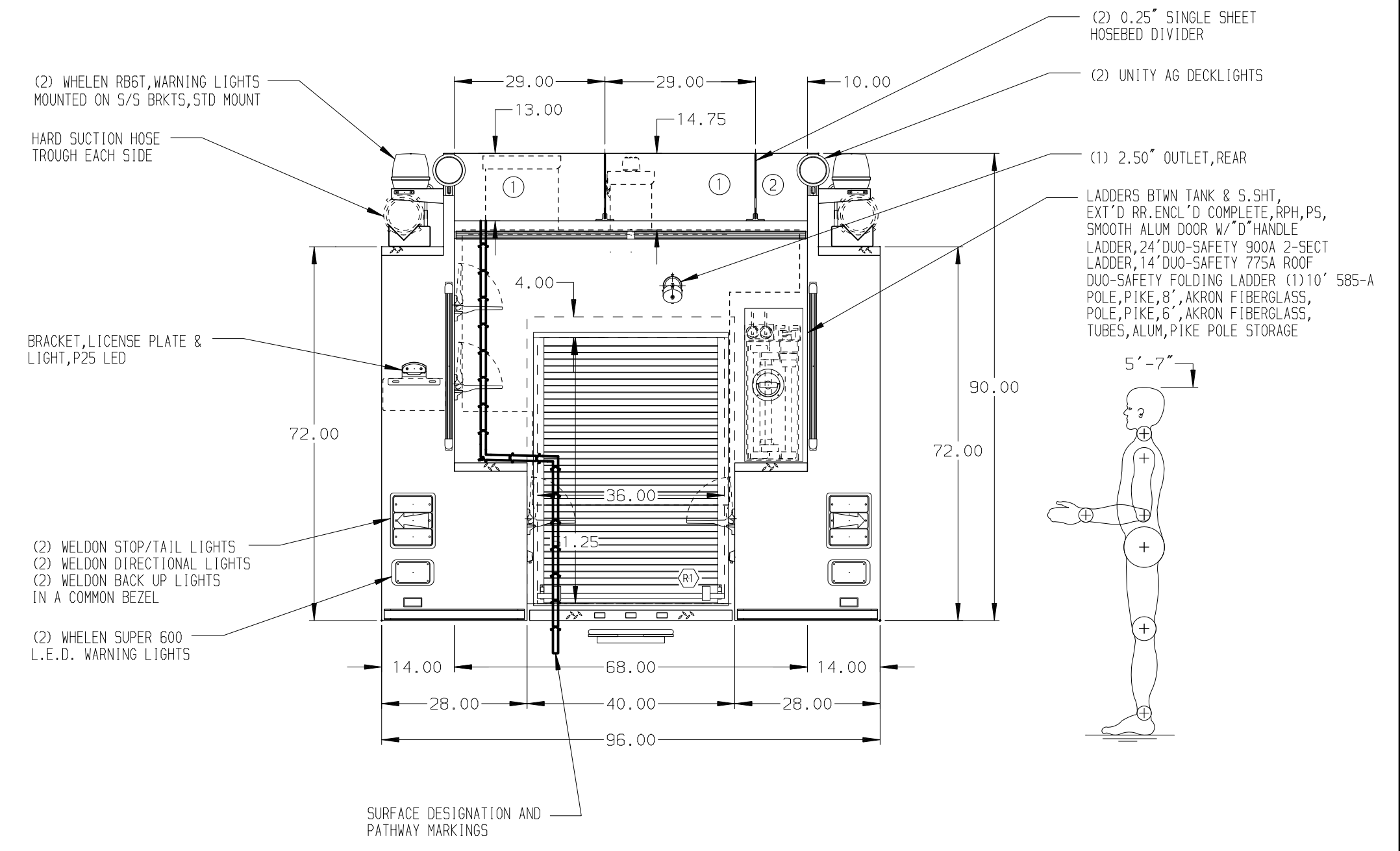
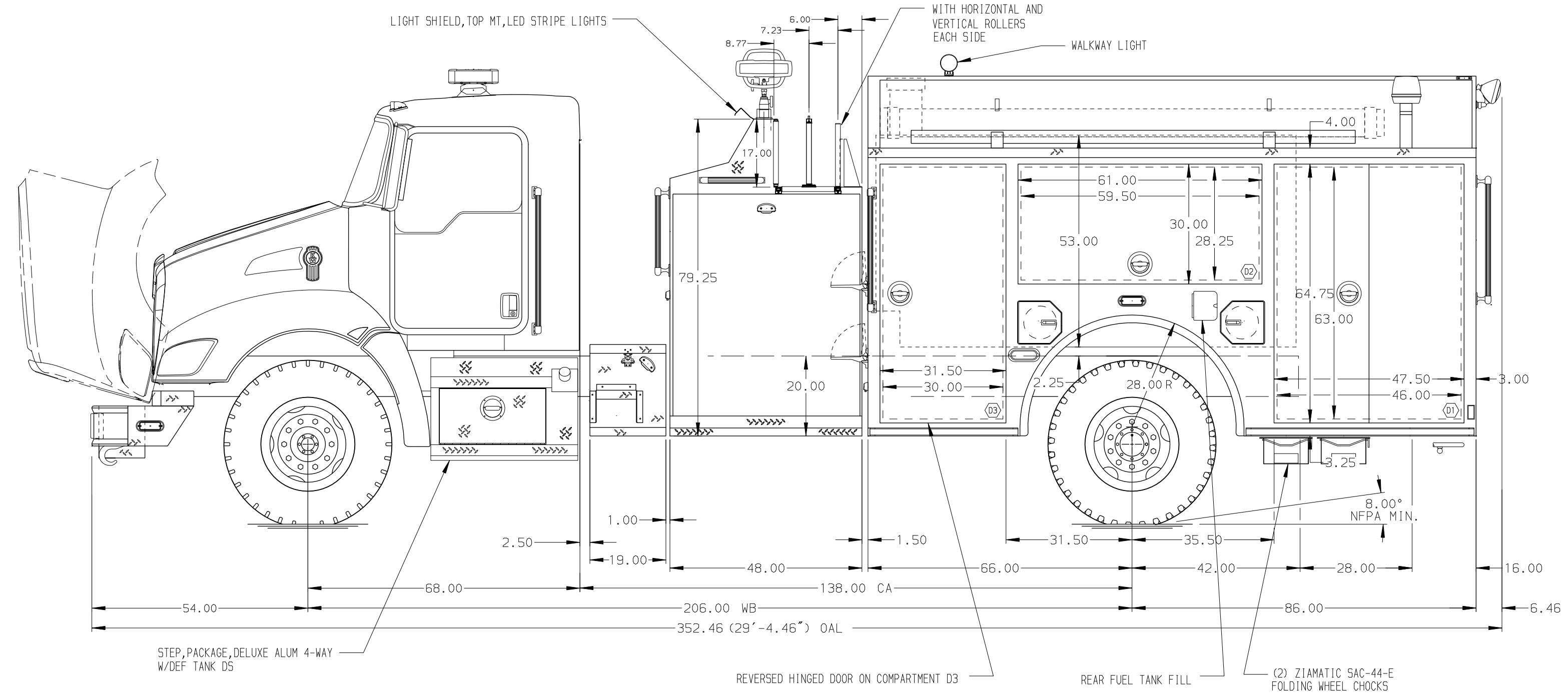


- HOSEBED CAPACITIES
- ① 1500' OF 2.50" D.J. POLYESTER HOSE
  - ② 400' OF 1.50" D.J. POLYESTER HOSE



**NOTE**  
DIMENSIONS SHOWN ARE APPROXIMATE AND ARE SUBJECT TO MINOR DEVIATIONS AS MAY OCCUR OR BE NECESSARY IN CONSTRUCTION. MINOR DETAILS NOT SHOWN.

REV	DATE	BY	CH	MODEL
16SEP16	JAF	BRX		KW
27JUL16	JLA	BRX		MODEL
				T370

		JOB NO.	30054
		SCALE	DATE
<b>TITLE</b> 1250-D-1000, 20G FOAM, 152" PUMPER BODY 48" TOP MOUNT, (2) 1.5" CROSSLAY	<b>FOR</b> ALAMOSA COUNTY F.P.D. ALAMOSA, COLORADO	DRAWN BY	JLA
		CHECKED BY	RWI
<b>DWG NO.</b> 30054AD		SHEET SIZE	D
		SHEET NO.	1 OF 1