

PUMPER BODY

Long Aluminum 2nd Gen Pumper

CHASSIS

Enforcer Chassis

CHASSIS AXLE, FRONT, CUSTOM

19,500 Lb TAK-4 Axle

AXLE, REAR

31,000 Lb Meritor Axle

ENGINE

450 HP Cummins ISL9 Engine

TRANSMISSION

Allison 5th Gen, 3000 EVS P

BUMPER

19" Extended Steel Pointed

CAB

6010 Enforcer Cab

BODY

WATER TANK

980 Gallon Poly Water Tank

COMPT, PUMPER, REAR

51.25" FF RollUp Rear Compt

CUBIC FT:

COMPT, PUMPER, DRIVER SIDE

171" RollUp Full Height & Depth Front & Rear

D.S. CUBIC FT:

COMPT, PUMPER PASS. SIDE

171" RollUp Full Height Front & Rear FDLER

P.S. CUBIC FT:

FIRE SUPPRESSION PUMPHOUSE

52" Control Zone Side Mount

PUMP

1500 GPM QMAX Hale

CROSSLAYS, 1.50"

(2) 1.50" Standard Capacity

CROSSLAYS, 2.50"

2.50" CrossLays Not Required

SPEEDLAYS

SpeedLays Not Required

GENERATOR

Generator Not Required

Foam System

External Foam System

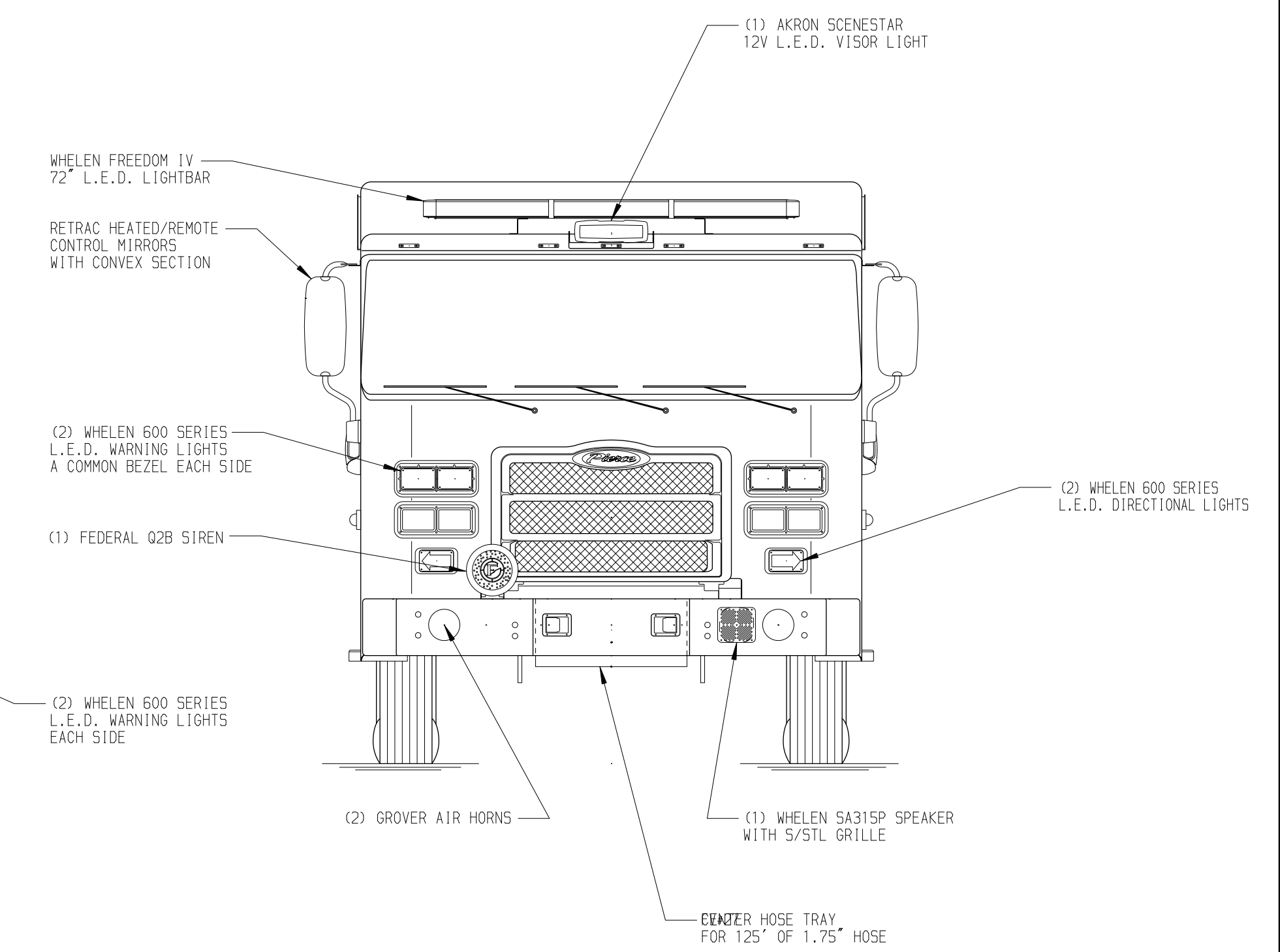
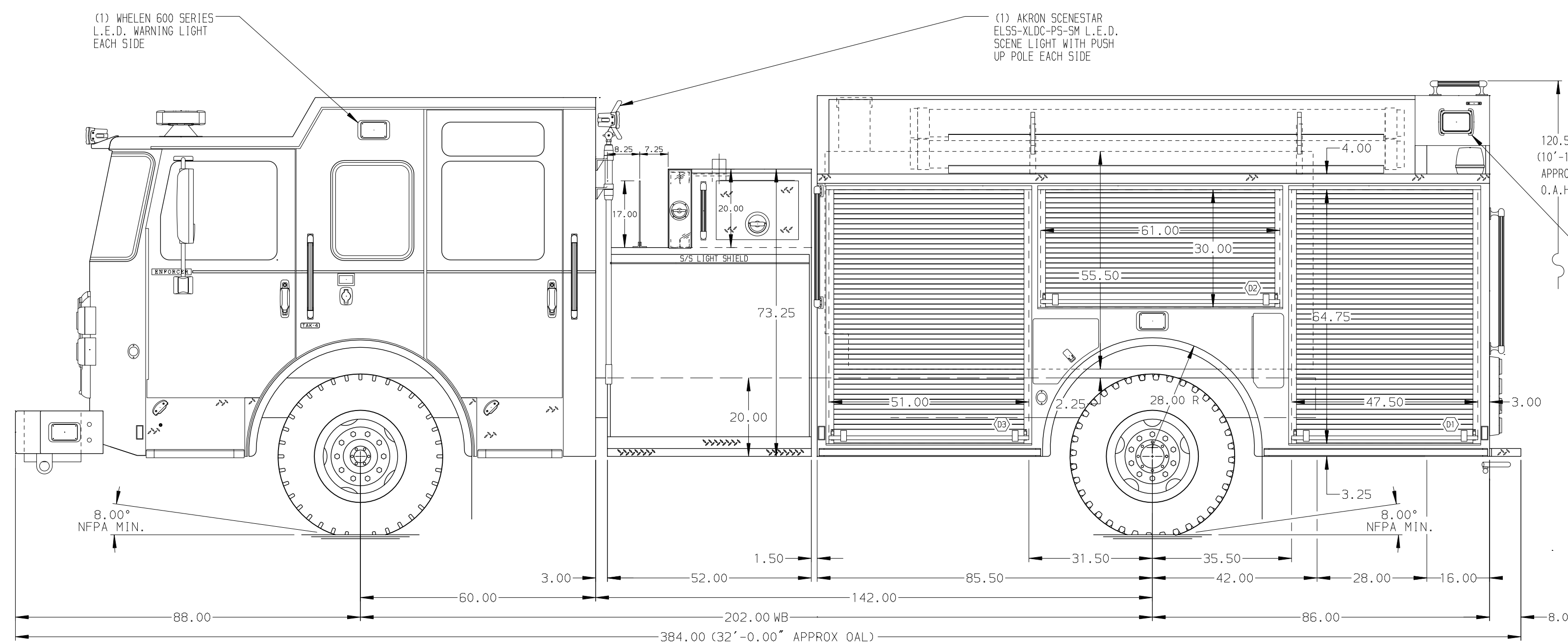
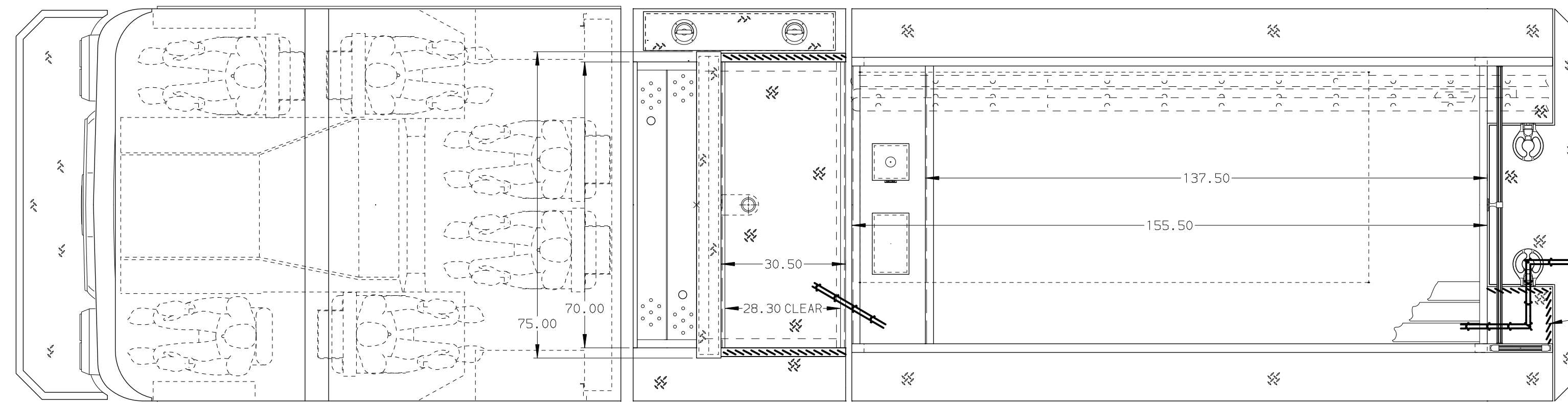
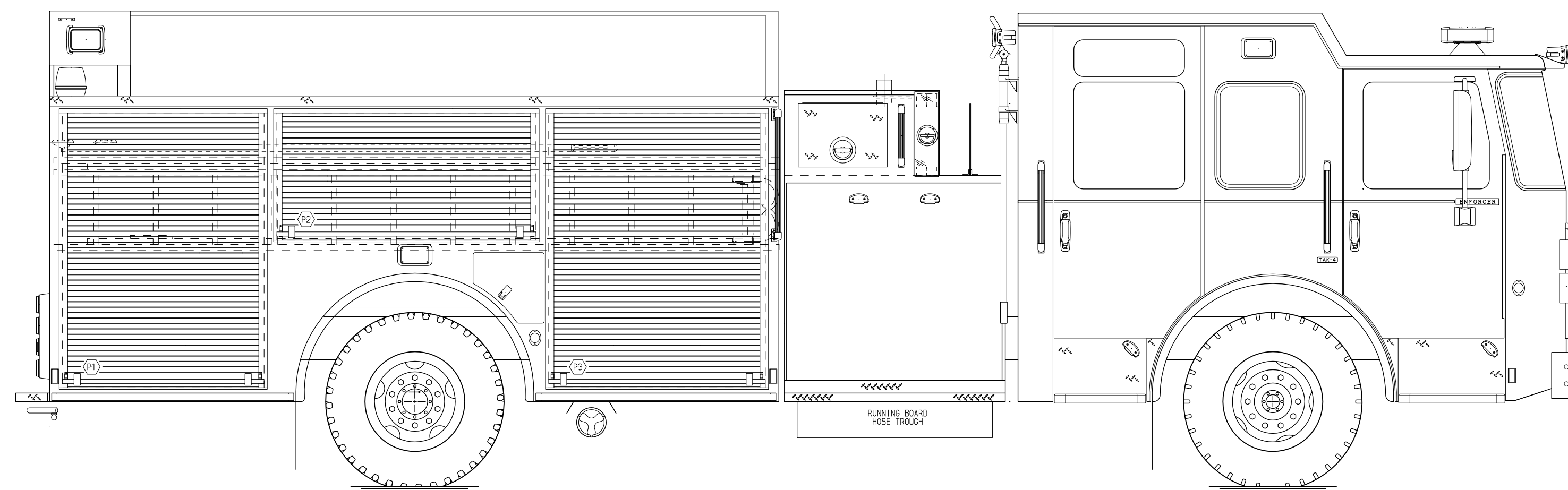
Foam Cell

20 Gallon Foam Cell, Reduced Water

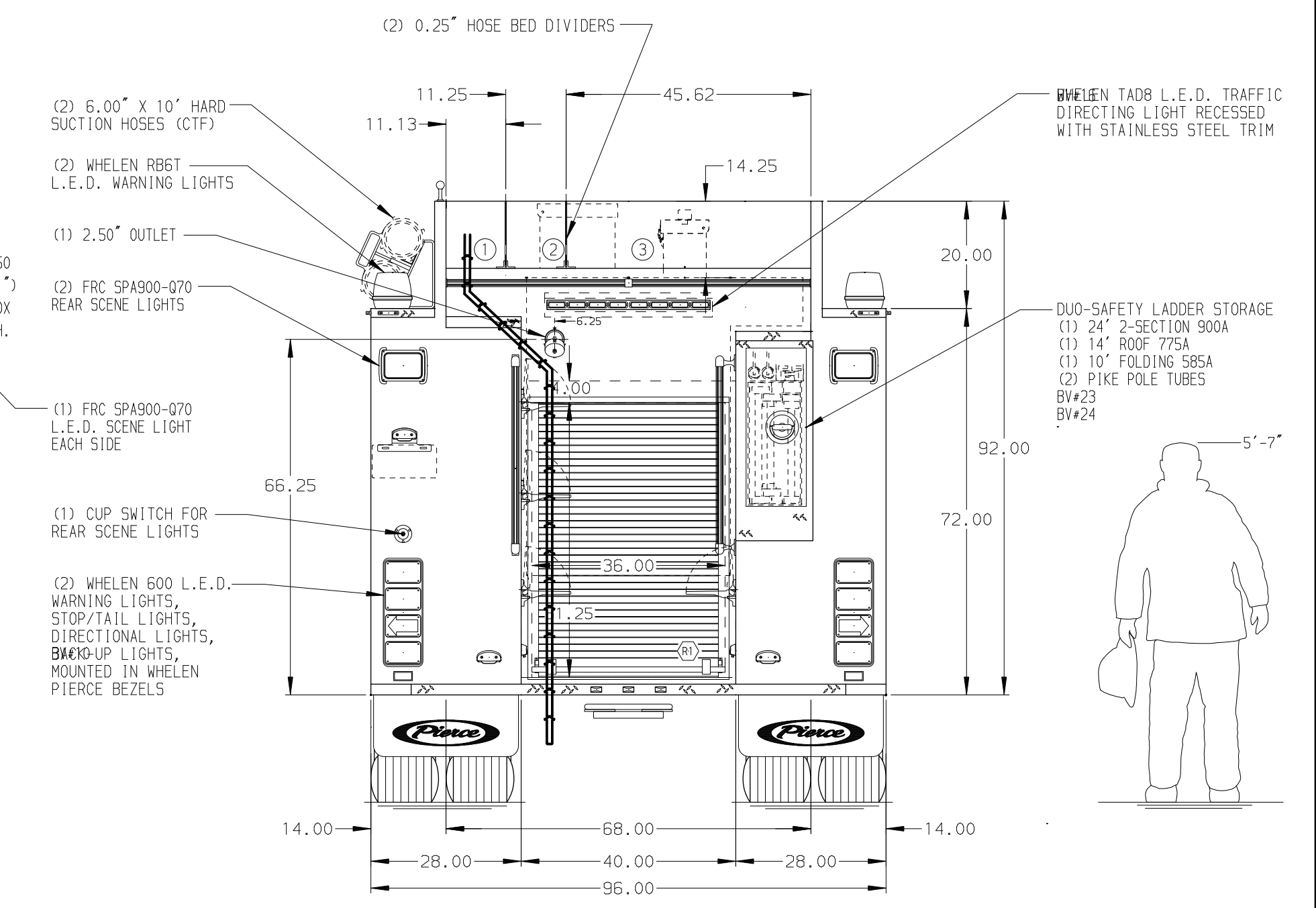
Side Roll and Frontal Impact Protection Not Required

NOTE
DIMENSIONS SHOWN ARE APPROXIMATE AND ARE SUBJECT TO MINOR DEVIATIONS AS MAY OCCUR OR BE NECESSARY IN CONSTRUCTION. MINOR DETAILS NOT SHOWN.

- ONE 2.50" OUTLET WITH 2.50" PIPING LOCATED IN CENTER BUMPER TRAY
- SHORELINE RECEPTACLE WITH KUSSMAUL SUPER AUTO-EJECT LOCATED ON DRIVER SIDE OF THE CAB
- AIR INLET WITH DISCONNECT COUPLING ON DRIVER SIDE STEPWELL
- BATTERY CHARGER LOCATED BEHIND DRIVER'S SEAT
- BATTERY CHARGE INDICATOR LOCATED ON DRIVER SIDE OF THE CAB
- ADJUSTABLE SHELF IN COMPARTMENT PER SHOP ORDER
- FLOOR MOUNTED SLIDE-OUT TRAY IN COMPARTMENT PER SHOP ORDER
- CTF WHEEL CHOCKS AND MOUNTING BRACKETS
- SWING-OUT TOOL BOARD WITH PEGBOARD PATTERN IN COMPARTMENT PER SHOP ORDER



HOSEBED CAPACITY	
BED 1	300' OF 2.50" D.J. POLY HOSE
BED 2	300' OF 2.50" D.J. POLY HOSE
BED 3	1000' OF 5.00" D.J. POLY HOSE



Pierce MANUFACTURING INC.		JOB NO.	30082
		SCALE	DATE
		1:24	
		DRAWN BY	09FEB16
		COL	
		CHECKED BY	10FEB16
		KBO	
		SHEET SIZE	SHEET NO.
		D	1 OF 1

REV	DATE	BY	CH	ENFORCER
06JUN16	COL	JGO		CHASSIS DATA
05MAY16	COL	JGO		MAKE
03MAY16	COL	JGO		PIERCE
02MAY16	COL	JGO		MODEL
18FEB16	COL	JGO		

TITLE
PIERCE PUMPER APPROVAL DRAWING

FOR
AUBURN FIRE DEPARTMENT
AUBURN, ALABAMA

DWG NO. 30082AD