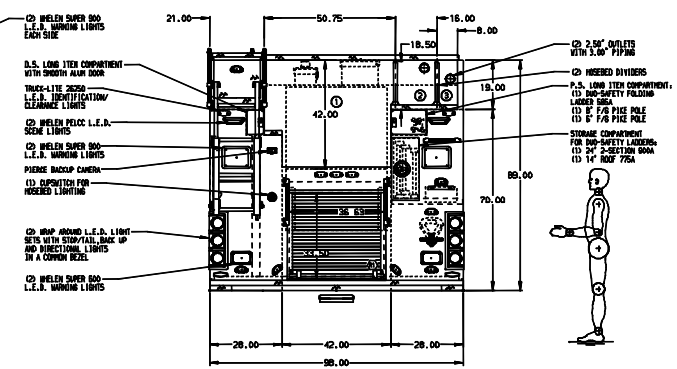
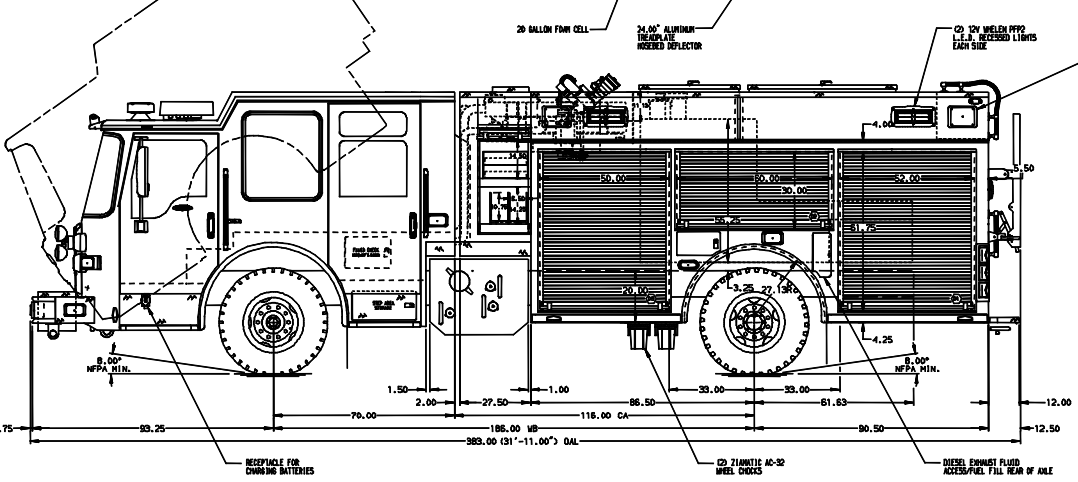


- DESIGNED CAPABILITIES
- ① 180V OF 2.50" R.A. POLY HOSE
  - ② 90V OF 2.50" D.J. POLY HOSE
  - ③ 200' OF 1.75" D.J. POLY HOSE



**ALUMINUM BODY**

**NOTE**  
DIMENSIONS SHOWN ARE APPROXIMATE AND ARE SUBJECT TO MINOR DEVIATIONS AS MAY OCCUR OR BE NECESSARY IN CONSTRUCTION.  
MINOR DETAILS NOT SHOWN.

1. ALUMINUM TREADPLATE EXTERIOR REAR HULL OF CAB
2. MOUNTING BASE FOR ANTENNA LOCATED PER SHOP ORDER
3. WRENCH LOCKS W/WRAPS FRONT AND REAR
4. WRENCH L.E.R. HOOD COMPARTMENT LIGHT STRIPS LOCATED PER SHOP ORDER
5. ONE ADJUSTABLE FULL WIDTH/FULL DEPTH SHELF IN COMPARTMENTS D1, P1, & P2, AND TWO IN D2 & P2
6. ONE FLUSH MOUNTED 54-IN-OUT TIE-IN IN COMPARTMENTS D1 & P1
7. ONE FLUSH MOUNTED 54-IN-OUT TIE-IN IN COMPARTMENTS D1 & P2
8. ONE PAINTED ADJUSTABLE TILTING SLIDE-OUT TIE-IN IN COMPARTMENTS D1 & P2
9. ONE PAINTED ADJUSTABLE TILTING SLIDE-OUT TIE-IN IN COMPARTMENT D2
10. ONE ALUMINUM SLIDE-OUT TOOL BAY IN COMPARTMENT D1
11. 54-IN. FEMOR CORNER FRONT AND REAR
12. AIR LINES/OUTLET WITH DISCONNECT FITTING LOCATED IN D1 PUMP PANEL
13. PERIPHERY SCENE LIGHTS LOCATED PER SHOP ORDER
14. EXTERIOR FAN SYSTEM
15. 54-IN. SCUFFPLATE LOCATED ON EACH CAB DOOR JAMB
16. DUAL I.E.R. LIGHT STRIPS LOCATED IN EACH SIDE OF HOUSED
17. ONE VERTICAL PARTITION LOCATED IN COMPARTMENT D1
18. ONE VERTICAL 30-IN PARTITION BETWEEN COMPARTMENTS D1-R1 & P1-R1
19. FULL STRAP FOR DOORS LOCATED OVER CROSSLATS EACH SIDE
10. FINISH GRABBER REQUIRED

REV	DATE	BY	CR	CHASSIS DATA
020M14		COL	MCL	PIERCE
030M14		COL	TMH	WHEEL
050M14		COL	TMH	WHEEL
				DAP7011

		JOB NO.	27739
		SCALE	1:24
<b>MANUFACTURING INC.</b>		DATE	12MAR14
		DRAWN BY	COL
<b>TITLE</b> 1500-D-500 GAL POLY W/20 GAL FOAM CELL, 177" RESCUE (2)XLAYS, DELUGE, LADDERS THRU BODY, 67" LHB		CREATED BY	HNE
		CHECKED BY	D
<b>FOR</b> BESSEMER FIRE DEPARTMENT BESSEMER, ALABAMA		SHEET NO.	1
		SHEET OF	1
<b>DWG NO.</b> 27739AD			