

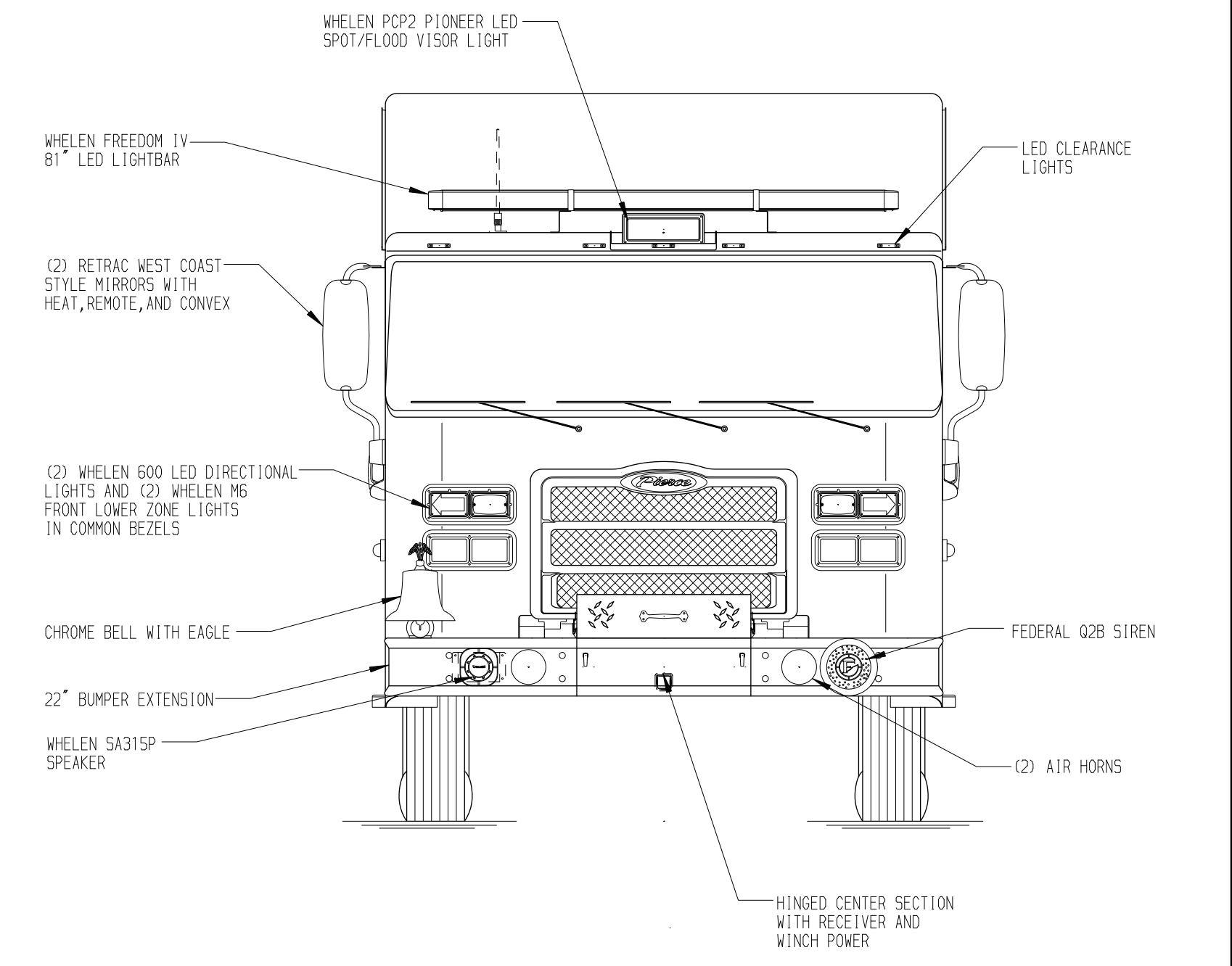
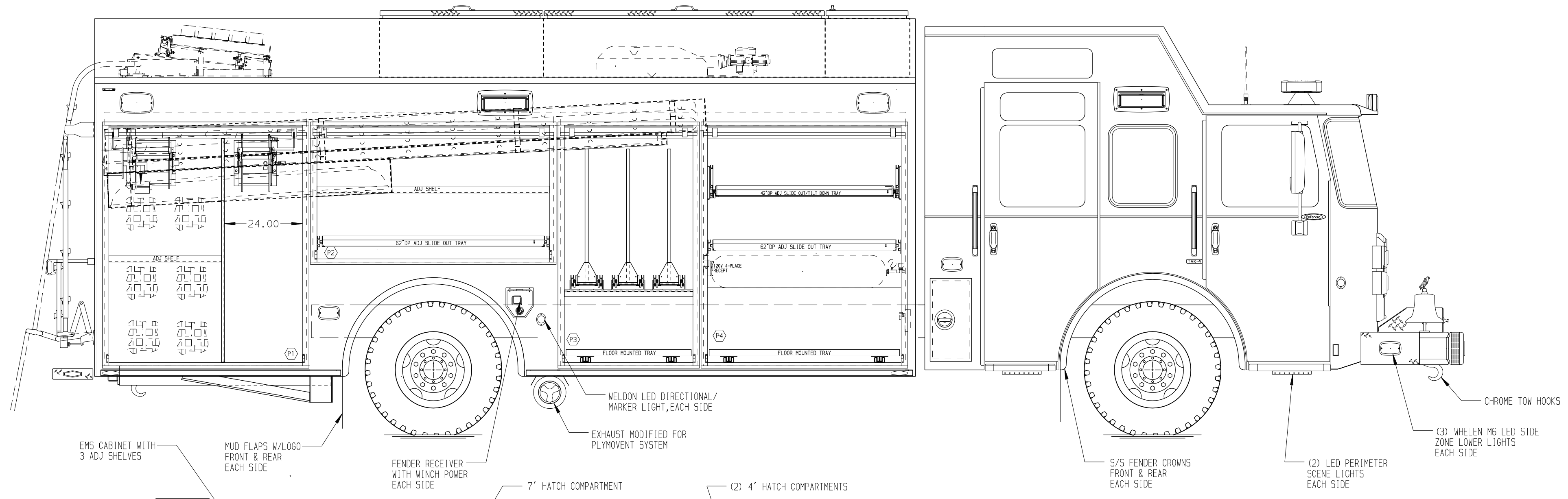
**PASSENGER'S SIDE COMPARTMENTS CONTAIN THE FOLLOWING:**

- COMPARTMENT P1 CONTAINS:  
 - (1) STD DEPTH ADJ SHELF  
 - (1) ELECTRIC CORD REEL WITH 200' OF 10/4 BLACK CORD  
 - (1) LOW PRESSURE AIR REEL WITH 200' OF HOSE  
 - CARGO RETENTION NETTING REAR OF DIVIDER

- COMPARTMENT P2 CONTAINS:  
 - (1) 22" DP ADJ SHELF  
 - (1) 62" DP ADJ SLIDE OUT TRAY

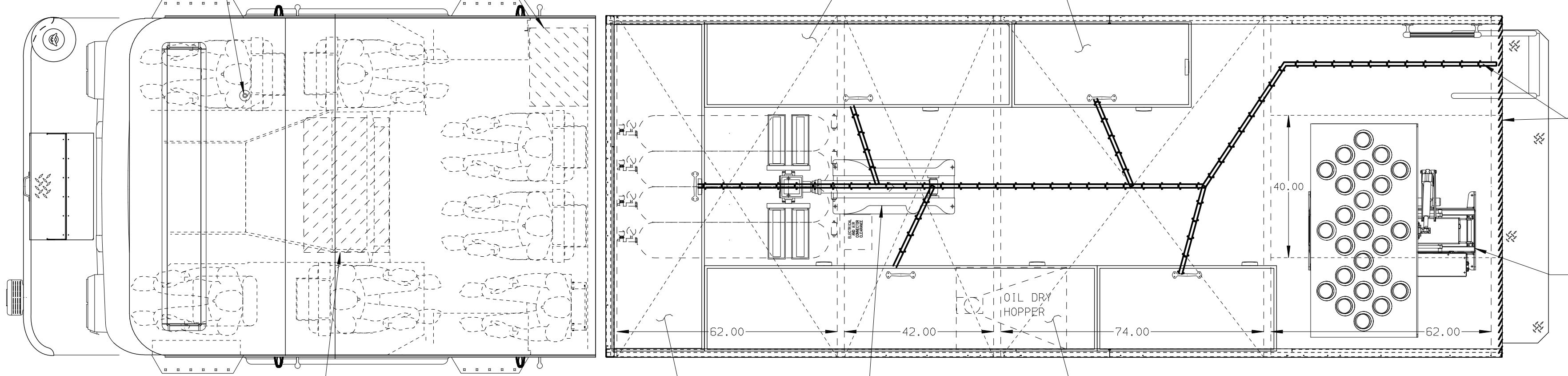
- COMPARTMENT P3 CONTAINS:  
 - (1) 22" DP FLOOR MOUNTED TRAY  
 - (1) 62" DP ADJ SLIDE OUT TOOLBOARD  
 - (2) 2-WAY ADJ SLIDE OUT TOOLBOARDS

- COMPARTMENT P4 CONTAINS:  
 - (1) CAB LIFT CONTROLLER  
 - (1) 42" DP ADJ SLIDE OUT/TILT TRAY  
 - (1) 22" DP FLOOR MOUNTED TRAY  
 - (4) ASME AIR STORAGE BOTTLES  
 - (1) 62" DP ADJ SLIDE OUT TRAY  
 - (1) 20A, 120V 4-PLACE RECEPTACLE



**REAR COMPARTMENT CONTAINS THE FOLLOWING:**

COMPARTMENT R1 CONTAINS:  
 - (1) RACK FOR THE FOLLOWING:  
 - (1) 35" 3-SECTION LADDER  
 - (1) 14" ROOF LADDER  
 - (1) STOKES BASKET  
 - (2) TRAFFIC SIGNS  
 - (2) PIKE POLES  
 - (1) 58" DP FLOOR MOUNTED SLIDE OUT TRAY



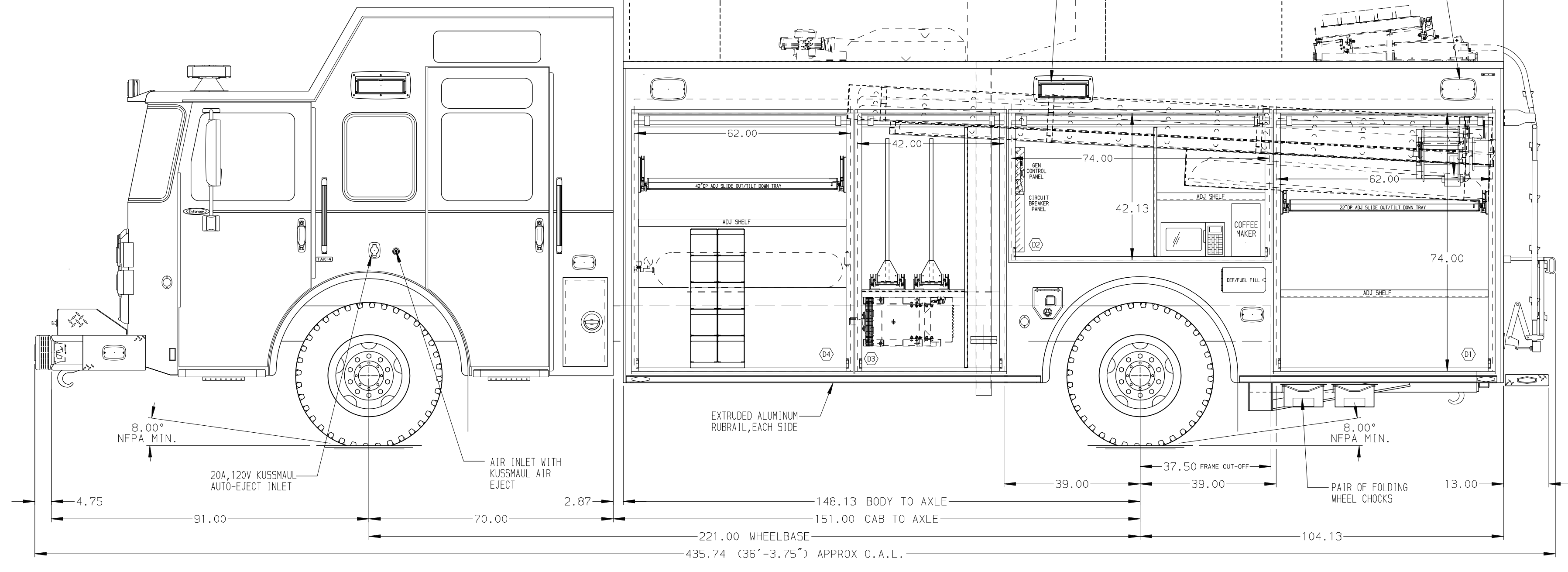
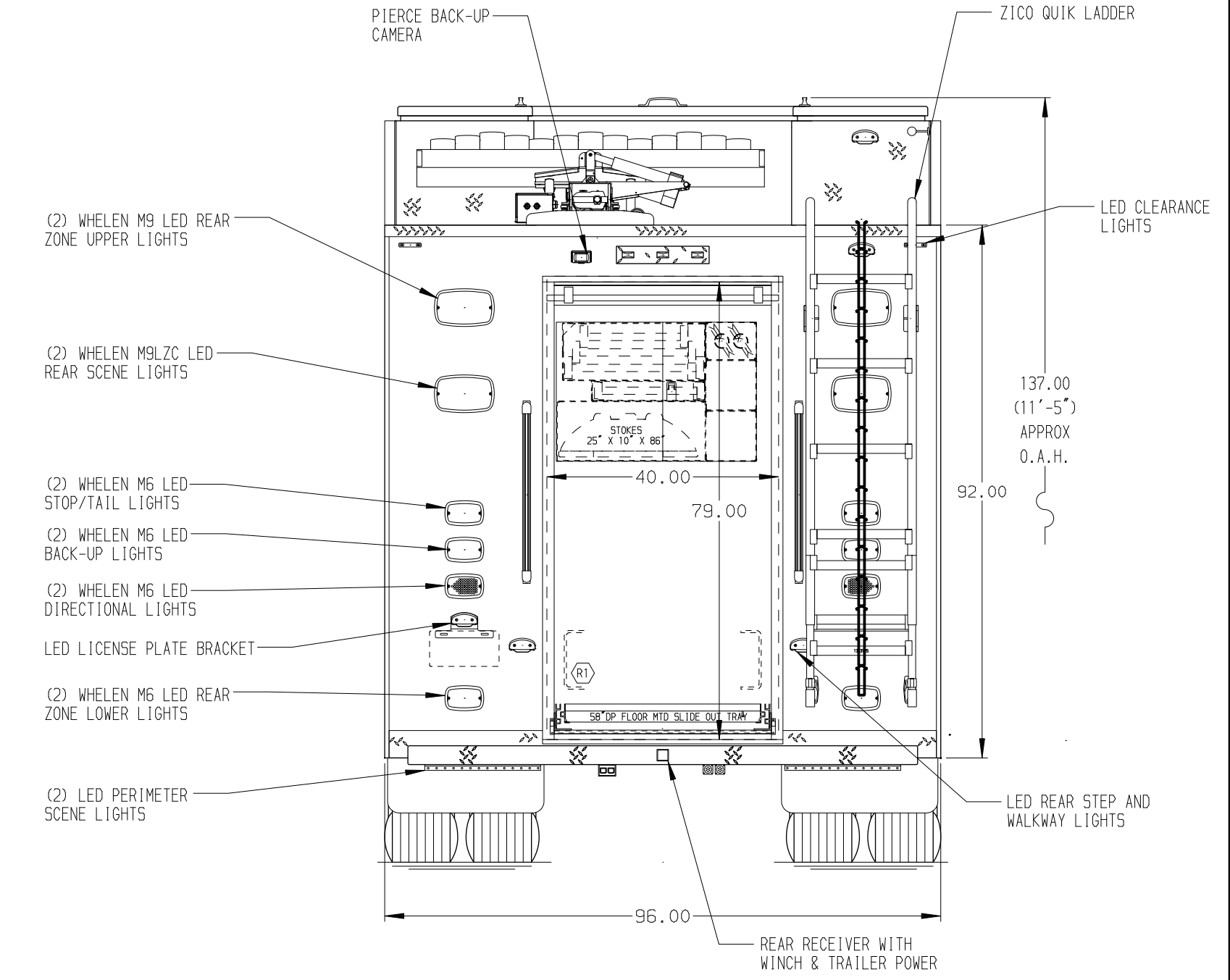
**DRIVER'S SIDE COMPARTMENTS CONTAIN THE FOLLOWING:**

COMPARTMENT D1 CONTAINS:  
 - (1) STD DEPTH ADJ SHELF  
 - (1) STD DEPTH ADJ SLIDE OUT/TILT TRAY  
 - (1) ELECTRIC CORD REEL WITH 200' OF 10/4 BLACK CORD

COMPARTMENT D2 CONTAINS:  
 - (1) MICROWAVE OVEN WITH 120V RECEPTACLE  
 - (1) 22" DP ADJ SHELF  
 - (1) 12-CUP COFFEE MAKER WITH RECEPTACLE  
 - (1) VERTICAL COMPARTMENT DIVIDER  
 - (1) CIRCUIT BREAKER PANEL  
 - (1) GENERATOR METER PANEL  
 - (1) NIGHT SCAN CONTROLLER

COMPARTMENT D3 CONTAINS:  
 - (1) OIL DRY HOPPER  
 - (1) VERTICAL COMPARTMENT DIVIDER  
 - (1) 2-WAY ADJ SLIDE OUT TOOLBOARDS  
 - (1) HORIZONTAL FLOOR EXTENSION

COMPARTMENT D4 CONTAINS:  
 - (1) RACK FOR 10 SCBA BOTTLES  
 - (1) 22" DP ADJ SHELF  
 - (1) 42" DP ADJ SLIDE OUT/TILT TRAY  
 - MOUNTING PROVISIONS FOR CUSTOMER/DEALER INSTALLED FILL ENCLOSURE



**NOTE**  
 DIMENSIONS SHOWN ARE APPROXIMATE AND ARE SUBJECT TO MINOR DEVIATIONS AS MAY OCCUR OR BE NECESSARY IN CONSTRUCTION. MINOR DETAILS NOT SHOWN.

- NOTES:**
- ONSPOT AUTOMATIC TIRE CHAINS
  - WARN #9,000 PORTABLE WINCH
  - POLISHED S/S SCUFFPLATES ON CAB DOOR JAMBS
  - FLOOR IN CAB AND CREW CAB TO BE LINEX
  - KUSSMAUL 12 HO CHARGER LOCATED BEHIND THE DRIVER'S SEAT
  - PIERCE DUAL LED COMPARTMENT LIGHTS IN ALL BODY COMPARTMENTS
  - ONAN 25KW SINGLE PHASE PTO DRIVEN GENERATOR LOCATED BETWEEN THE FRAME RAILS

CLEAR DOOR WIDTH KEY		CHASSIS DATA
AMOR ROLL UP DOORS:	-1 7/8"	030CT16
CORTITE ROLL UP DOORS:	-2 3/4"	29AUG16
PIERCE DOUBLE LIP DOORS:	-4 1/4"	18AUG16
PIERCE LIFT-UP LIP DOORS:	-1 1/2"	
(EX: 60" F-F - 1 7/8" = 58 1/8" CLEAR)		
(F-F) = FRAME TO FRAME		

		JOB NO.	30112
		SCALE	DATE
TITLE	ENCORE RESCUE VEHICLE	DRAWN BY	DHE
FOR	62.42.74.62	CHECKED BY	AZU
	BLACK RIVER FALLS FIRE DEPARTMENT	SHEET SIZE	SHEET NO.
	BLACK RIVER FALLS, WI	DWG NO.	30112AD
	DAN SCHULTZ		1 OF 1