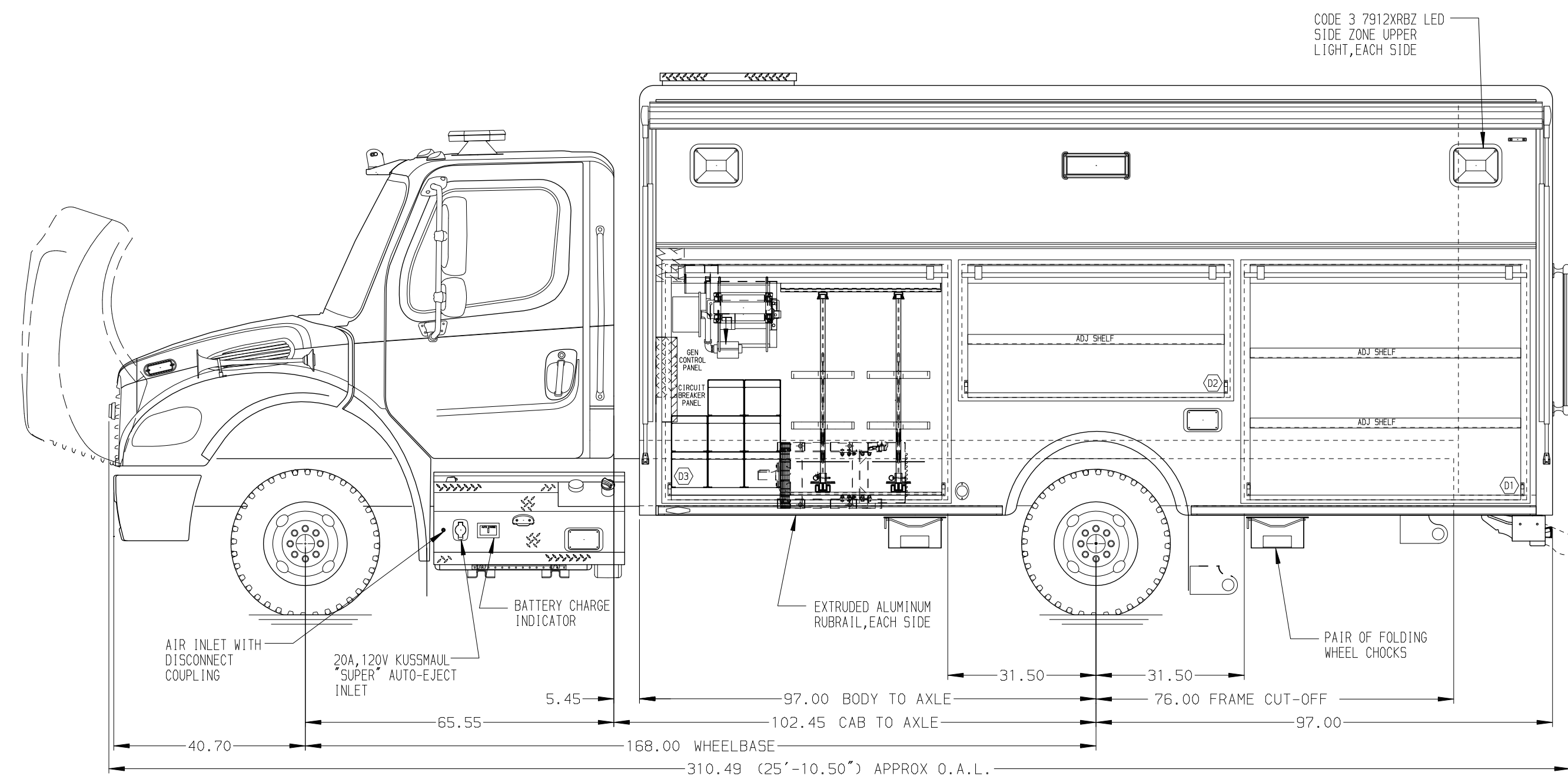
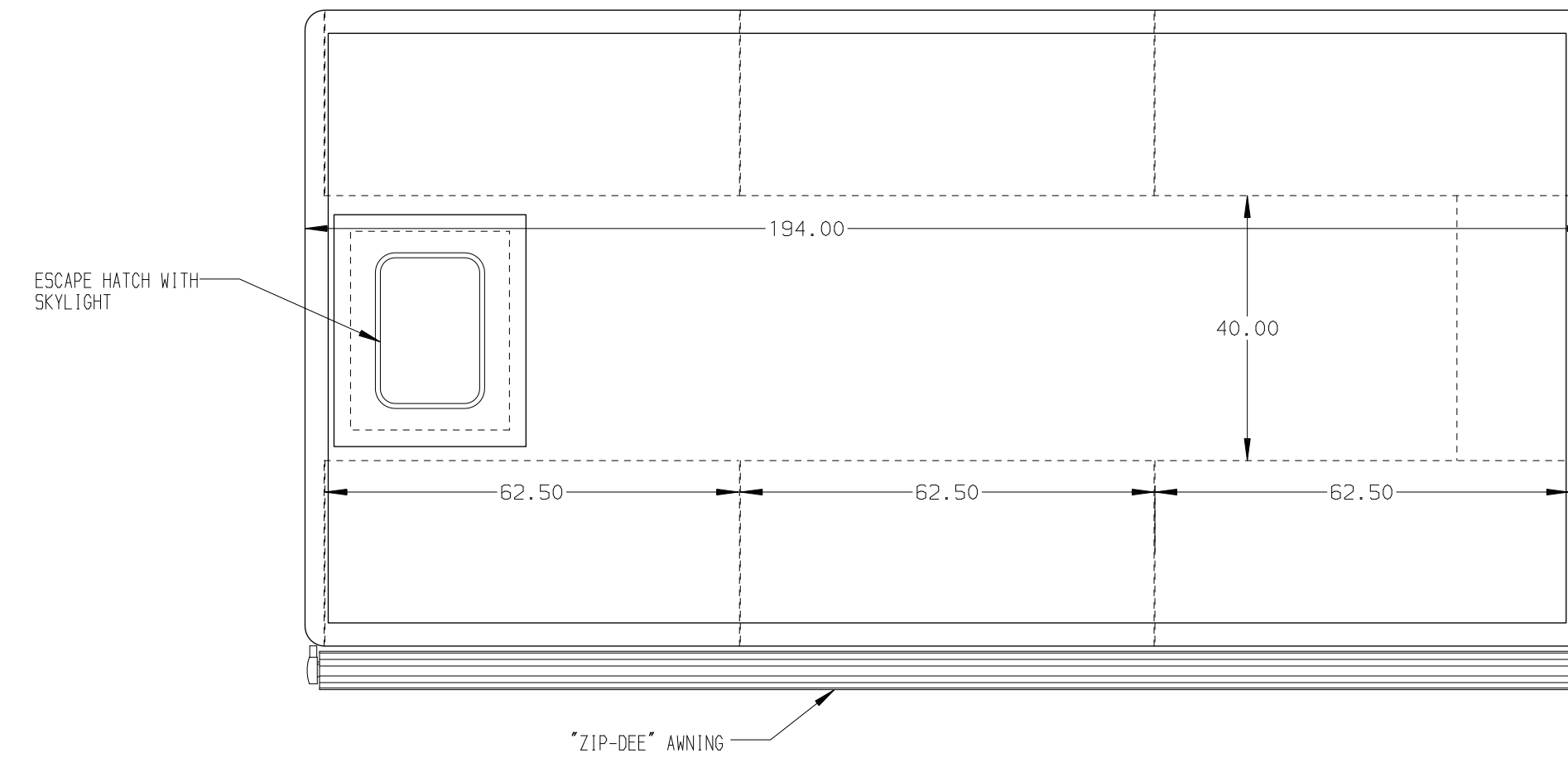
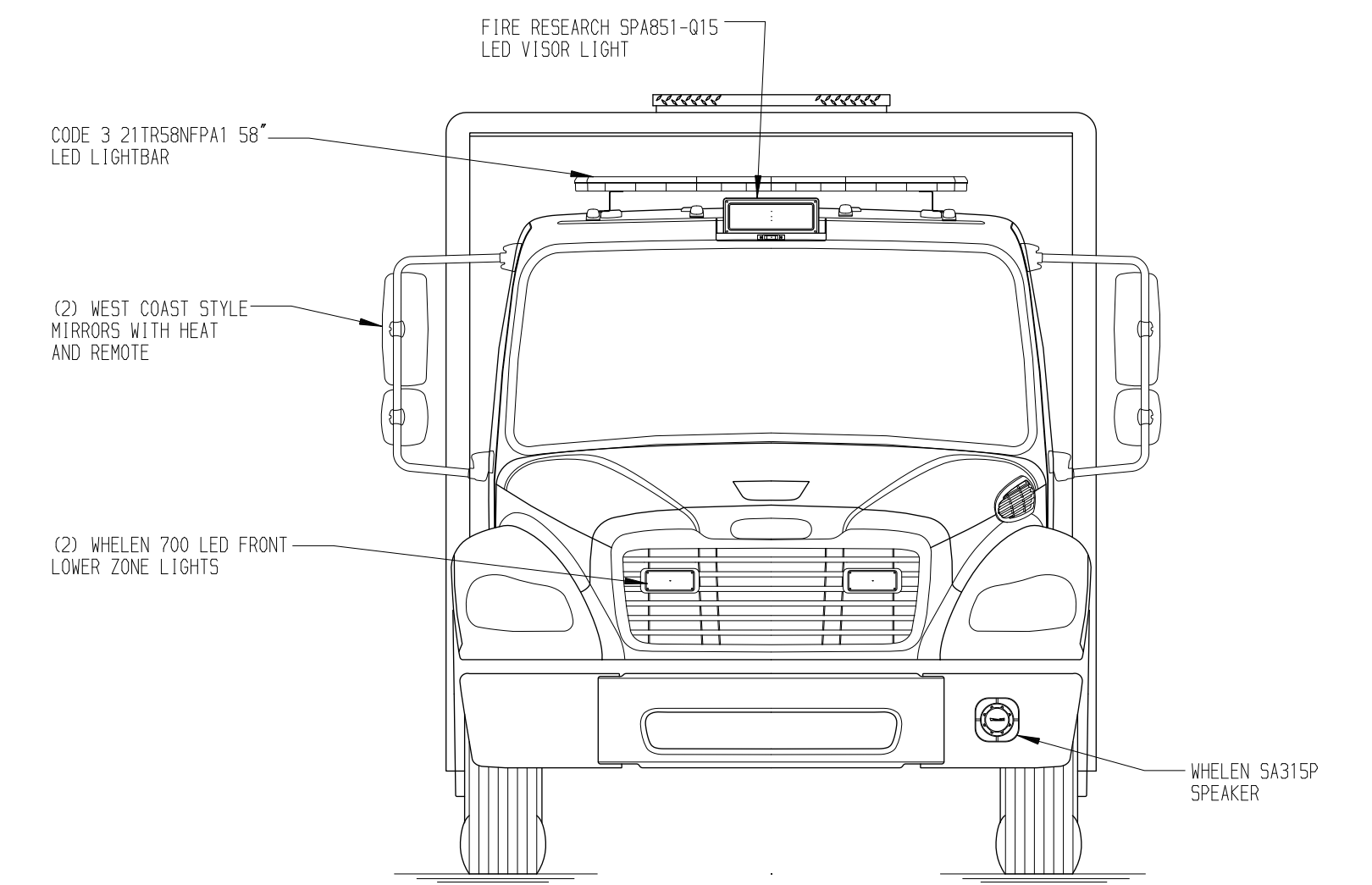
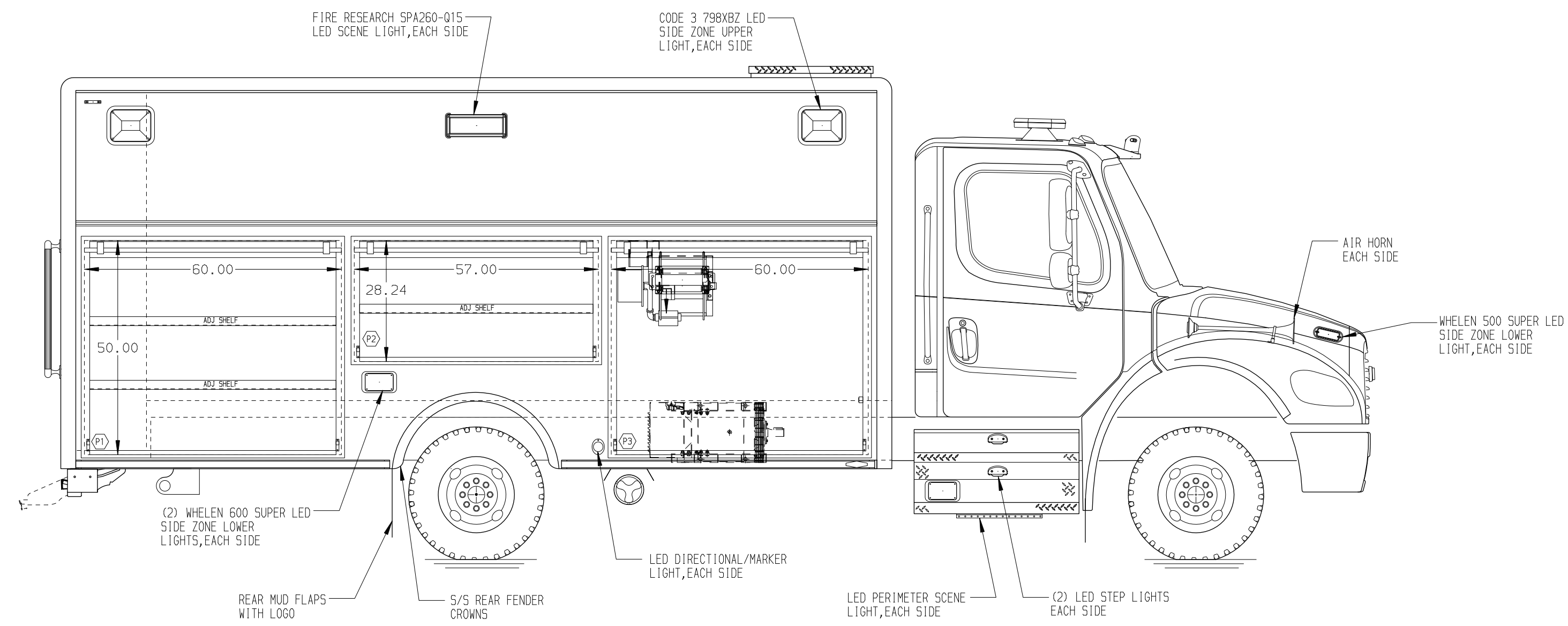


PASSENGER'S SIDE COMPARTMENTS CONTAIN THE FOLLOWING:

COMPARTMENT P1 CONTAINS:
 - (2) STD DEPTH ADJ SHELVES

COMPARTMENT P2 CONTAINS:
 - (1) STD DEPTH ADJ SHELF

COMPARTMENT P3 CONTAINS:
 - (1) ELECTRIC CORD REEL WITH 200' OF 10/4 BLACK CORD
 - (1) 15A, 120V 6-PLACE RECEPTACLE

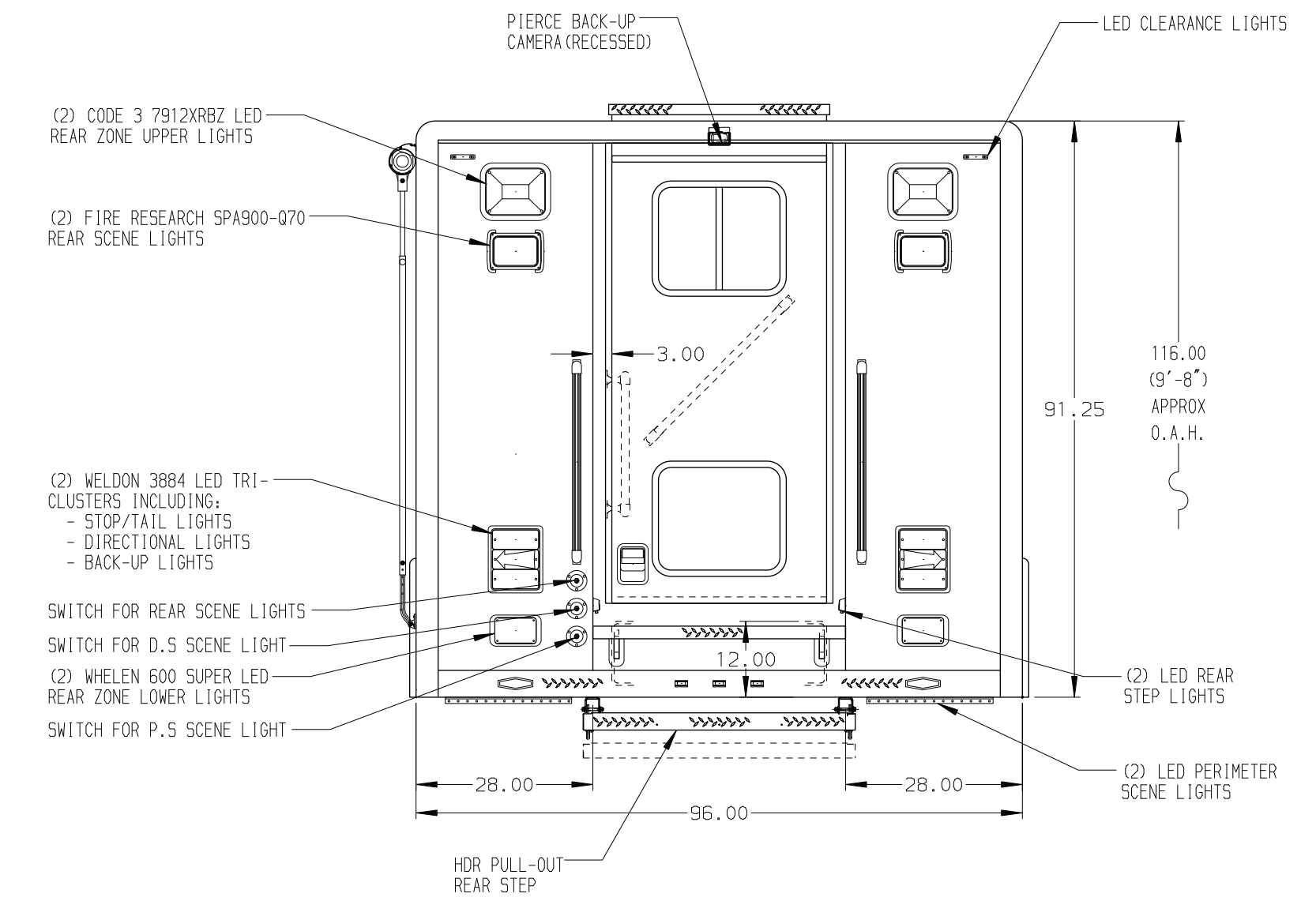


DRIVER'S SIDE COMPARTMENTS CONTAIN THE FOLLOWING:

COMPARTMENT D1 CONTAINS:
 - (2) STD DEPTH ADJ SHELVES

COMPARTMENT D2 CONTAINS:
 - (1) STD DEPTH ADJ SHELF

COMPARTMENT D3 CONTAINS:
 - (1) KUSSMAUL PUMP PLUS 1000 CHARGER
 - (2) STD DEPTH ADJ SLIDE OUT TOOLBOARDS
 - (8) AIR BOTTLE HOLDERS
 - (1) CIRCUIT BREAKER PANEL
 - (1) GENERATOR METER PANEL
 - (1) ELECTRIC CORD REEL WITH 200' OF 10/4 BLACK CORD
 - (1) RACK FOR 8 SBA BOTTLES



NOTE
 DIMENSIONS SHOWN ARE APPROXIMATE AND ARE SUBJECT TO MINOR DEVIATIONS AS MAY OCCUR OR BE NECESSARY IN CONSTRUCTION. MINOR DETAILS NOT SHOWN.

- NOTES:**
1. ONAN 25kW SINGLE PHASE PTO DRIVEN GENERATOR LOCATED BETWEEN THE FRAME RAILS
 2. ONSHOT AUTOMATIC TIRE CHAINS
 3. PIERCE DUAL LED LIGHTS IN ALL EXTERIOR BODY COMPARTMENTS

MAXIMUM O.A.H. 10'-0"

CLEAR DOOR WIDTH KEY

AMOR ROLL UP DOORS:	-1 7/8"
CORTITE ROLL UP DOORS:	-2 3/4"
PIERCE DOUBLE LAP DOORS:	-4 1/4"
PIERCE LIFT-UP LAP DOORS:	-1 1/2"
(EX: 60" F-F - 1 7/8" = 58 1/8" CLEAR)	
(F-F) = FRAME TO FRAME	

REV	DATE	BY	CH	CHASSIS DATA
	24OCT16	DHE	CDK	MAKE
	01SEP16	DHE	CDK	FREIGHTLINER
	20JUL16	DHE	CDK	MODEL
				M2-106

		JOB NO.	29722
		SCALE	1:24
TITLE	HEAVY DUTY RESCUE WALKIN	DRAWN BY	DHE
		CHECKED BY	AZU
FOR	CARMi FIRE DEPARTMENT CARMi, IL	DWG NO.	29722AD-SH1
		SHEET NO.	1 OF 1