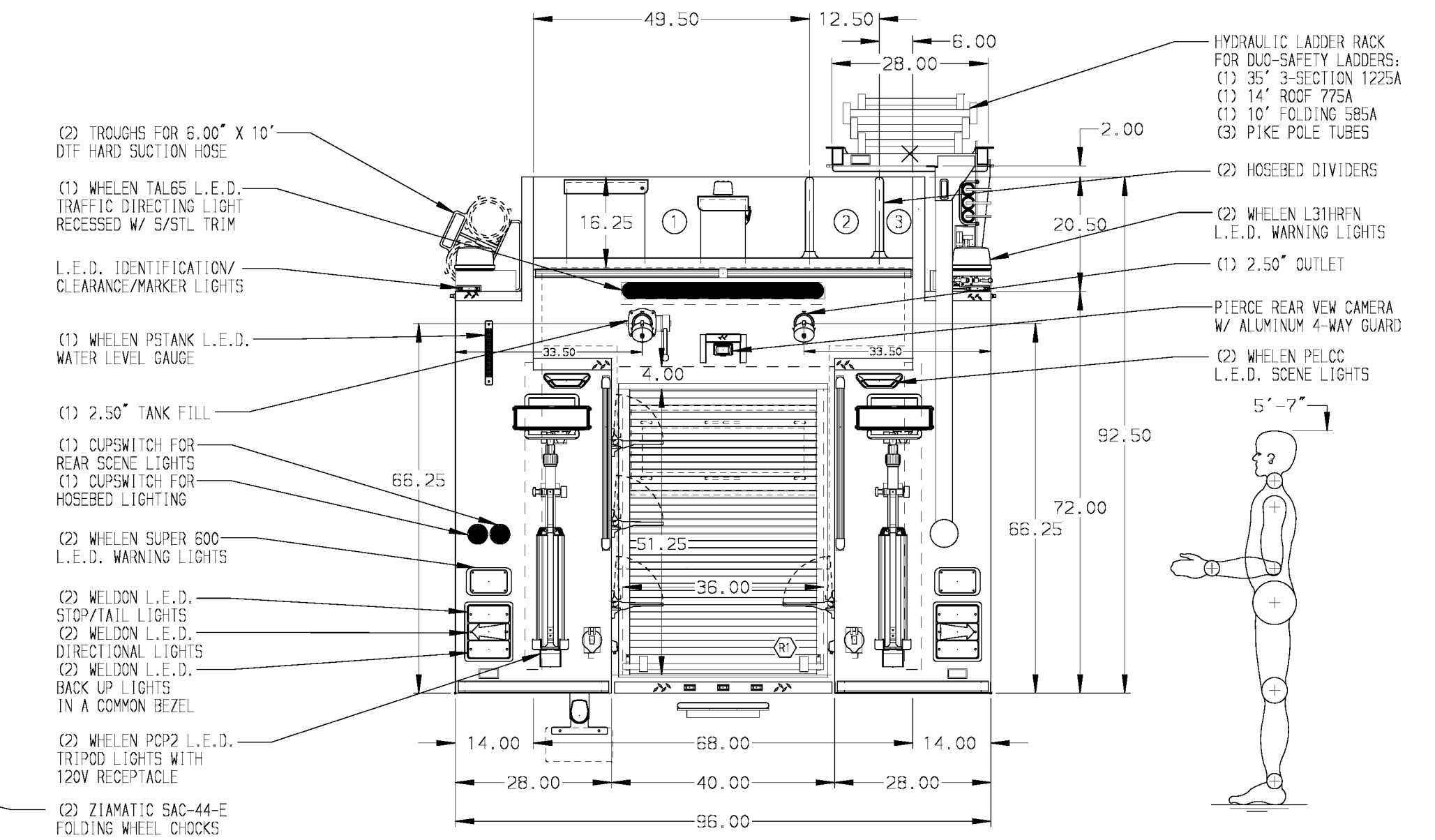
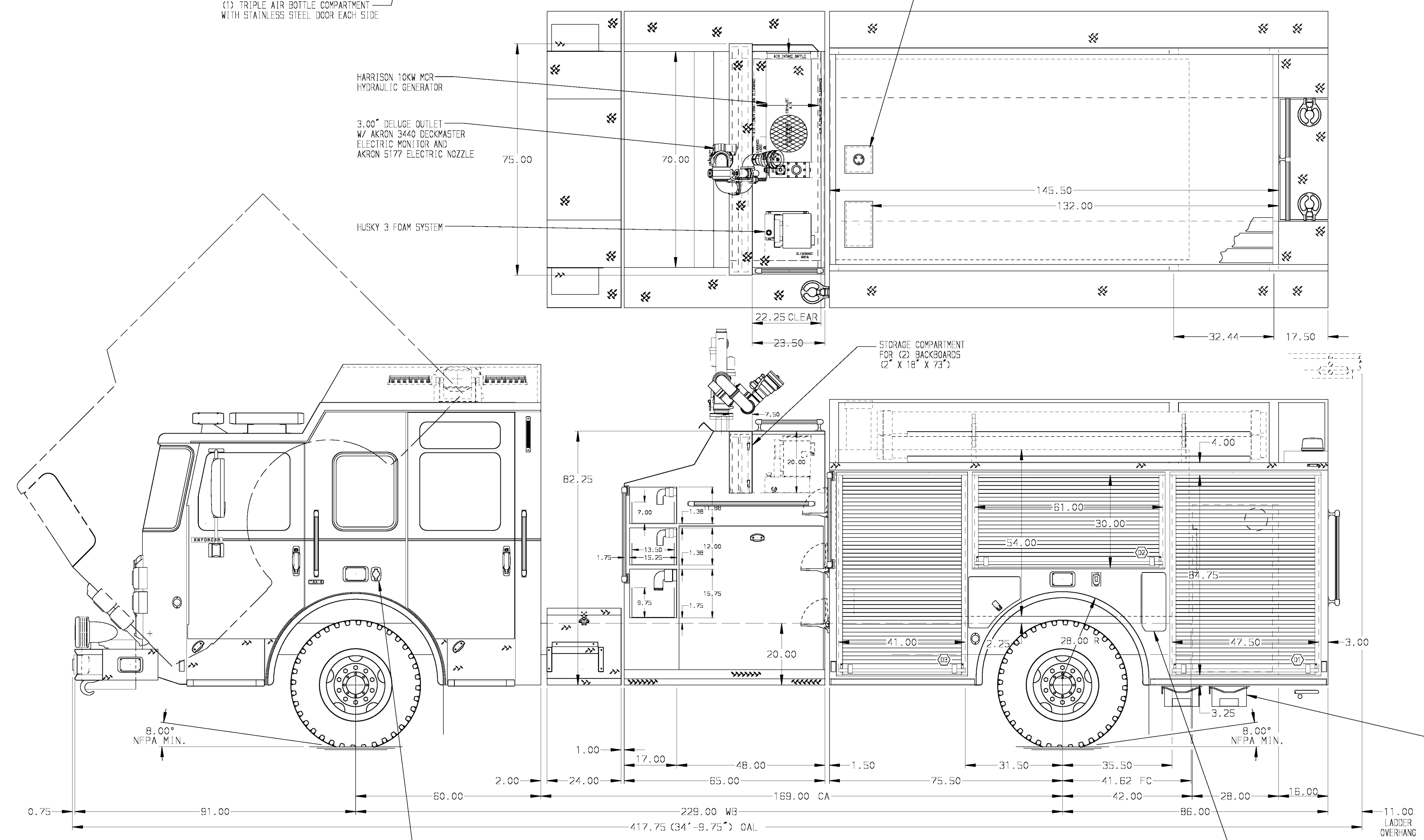


- HOSEBED CAPACITIES
- ① 1000' OF 5.00" D.J. HOSE
 - ② 300' OF 3.00" D.J. HOSE
 - ③ 200' OF 2.50" D.J. HOSE



ALUMINUM BODY

SIDE ROLL PROTECTION

NOTE
DIMENSIONS SHOWN ARE APPROXIMATE AND ARE SUBJECT TO MINOR DEVIATIONS AS MAY OCCUR OR BE NECESSARY IN CONSTRUCTION. MINOR DETAILS NOT SHOWN.

- | | | |
|-------------------------------------------------------------------------------------------------------------------------------------------------------------------------------------------------------------------------------------------------------------------------------------------------------------------------------------------------------------------------------------------------------------------------------------------------------------------------------------------------------------------------------------------------------------------------------------------------------------------------------------------------------------------------------------------------------------------------------------------------------|-----------------------------------------------------------------------------------------------------------------------------------------------------------------------------------------------------------------------------------------------------------------------------------------------------------------------------------------------------------------------------------------------------------------------------------------------------------------------------------------------------------------------------------------------------------------------------------------------------------------------------------------------------------------|--------------------------------------------------------------------------------------------------------------------------------------------------------|
| <ol style="list-style-type: none"> 1. ONE SPOT AUTOMATIC TIRE CHAINS TO BE PROVIDED AT REAR 2. BATTERY CHARGER LOCATED IN COMPARTMENT D3 3. BATTERY CHARGE INDICATOR LOCATED ON D.S. SEAT RISER 4. PERIMETER SCENE LIGHTS LOCATED PER SHOP ORDER 5. L.E.D. LIGHT STRIP LOCATED AT FRONT OF HOSEBED 6. PAINTED SHELF TRACKS LOCATED IN EACH BODY COMPARTMENT 7. ONE ADJUSTABLE SLIDE-OUT TRAY IN COMPARTMENT D3 8. ONE ADJUSTABLE TILT/SLIDE-OUT TRAY IN COMPARTMENTS D2, P1, P2, & P3 9. ONE FLOOR MOUNTED SLIDE-OUT TRAY WITH 2" SIDES IN COMPARTMENTS D3 & P1 10. TWO ALUMINUM SLIDE-OUT TOOLBOARDS WITH PEGBOARD PATTERN IN COMPARTMENT D1 | <ol style="list-style-type: none"> 11. ONE VERTICAL PARTITION LOCATED IN COMPARTMENT D1 12. S/STL FENDER CROWS FRONT AND REAR 13. CIRCUIT BREAKER PANEL IN COMPARTMENT D3 14. ONE AKRON ELECTRIC REWIND CORD REEL MODEL ERWC-16-6 LOCATED IN COMPARTMENT P1 WITH 100' OF 10/3 CABLE 15. TWO CENTREX 6-PLAC RECEPTACLE STRIPS IN CAB 16. PIERCE L.E.D. DUAL LIGHT STRIPS LOCATED ON SIDES OF HOSEBED 17. GROVER TRAIN HORN MOUNTED BEHIND BUMPER 18. FEDERAL RUMBER-3 AUX SPEAKER LOCATED BEHIND BUMPER 19. MOUNTING PROVISIONS FOR (2) HYDRAULIC REELS IN COMPARTMENT P1 | <ol style="list-style-type: none"> 20. ONE ADJUSTABLE SHELF LOCATED IN COMPARTMENTS D3 & P1 TWO SHELVES IN COMPARTMENTS D1 & P3 |
|-------------------------------------------------------------------------------------------------------------------------------------------------------------------------------------------------------------------------------------------------------------------------------------------------------------------------------------------------------------------------------------------------------------------------------------------------------------------------------------------------------------------------------------------------------------------------------------------------------------------------------------------------------------------------------------------------------------------------------------------------------|-----------------------------------------------------------------------------------------------------------------------------------------------------------------------------------------------------------------------------------------------------------------------------------------------------------------------------------------------------------------------------------------------------------------------------------------------------------------------------------------------------------------------------------------------------------------------------------------------------------------------------------------------------------------|--------------------------------------------------------------------------------------------------------------------------------------------------------|

		JOB NO.	29138
		SCALE	DATE
Pierce MANUFACTURING INC.		1:24	
TITLE 1250-D-1000P W/30 GAL FOAM CELL, 161" FH FD BODY (3) SPEEDLAYS, HYD. LADDER RACK, DELUGE, GENERATOR FOR COAL VALLEY FIRE PROTECTION DISTRICT COAL VALLEY, ILLINOIS	DRAWN BY	COL	30JUN15
	CHECKED BY	CSH	30JUN15
DWG NO.	29138AD		SHEET NO.
ENFORCER			1 OF 1