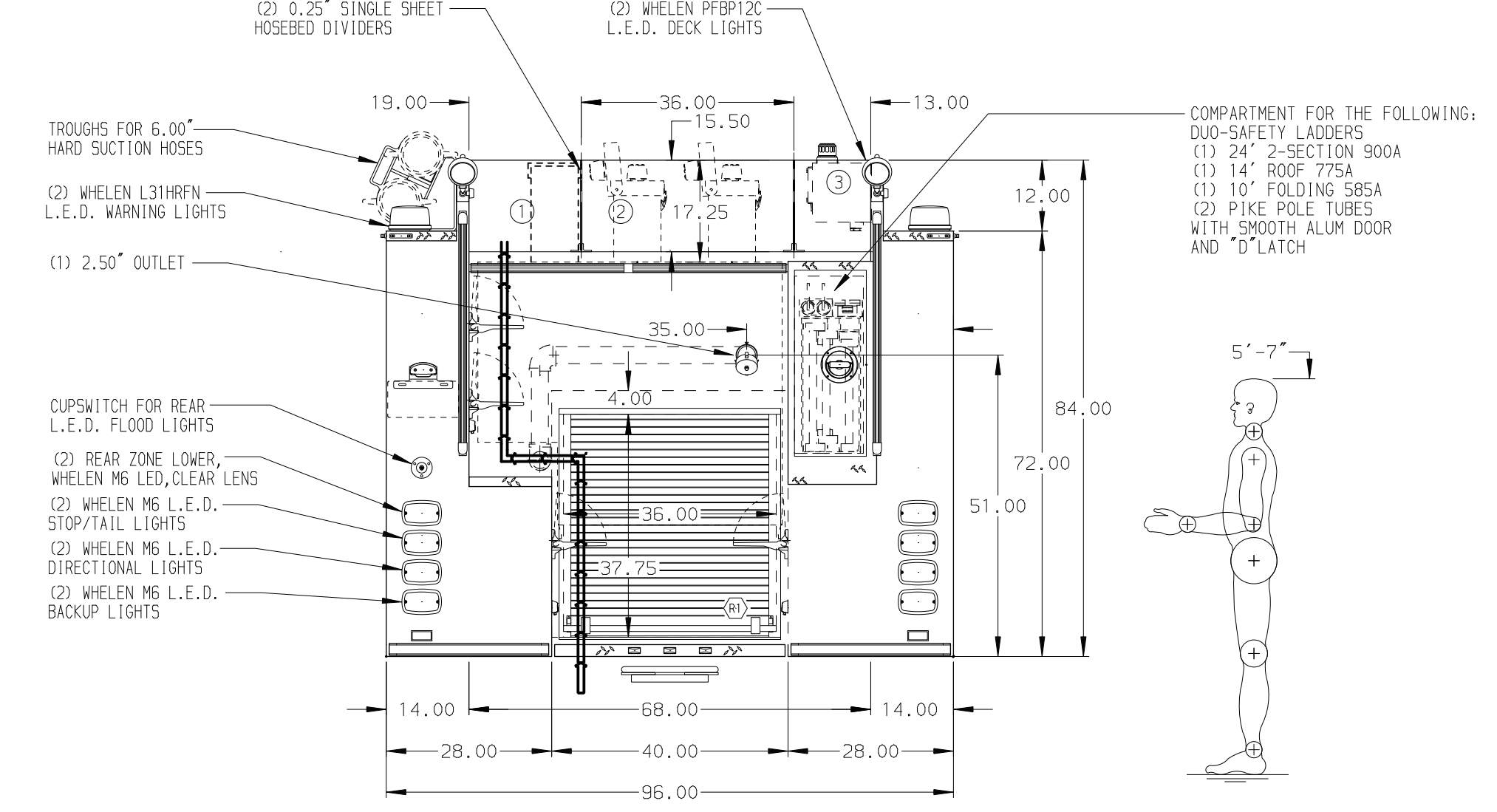
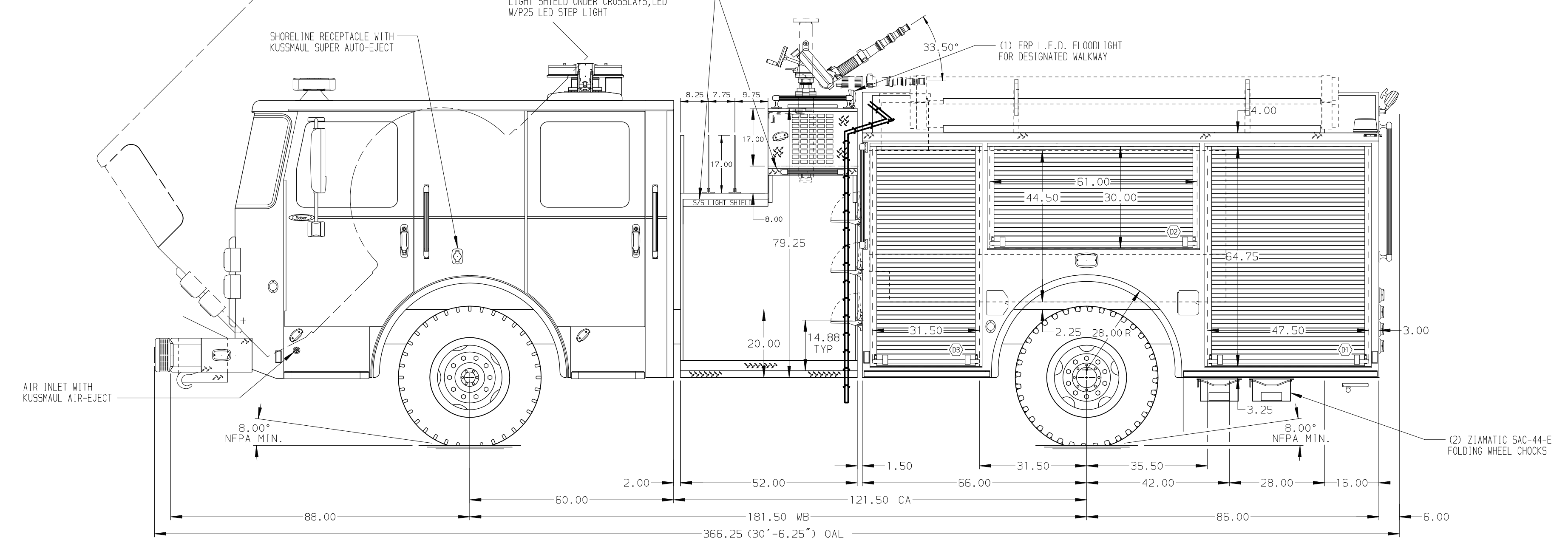


- HOSEBED CAPACITIES
- ① - 600' OF 2.50" D.J. HOSE
 - ② - 600' OF 5.00" D.J. HOSE
 - ③ - 200' OF 2.50" D.J. HOSE-PRECONNECT



ALUMINUM BODY

NOTE
DIMENSIONS SHOWN ARE APPROXIMATE AND ARE SUBJECT TO MINOR DEVIATIONS AS MAY OCCUR OR BE NECESSARY IN CONSTRUCTION. MINOR DETAILS NOT SHOWN.

REV	DATE	BY	CH	SABER FR
06FEB17	JAF	NAS		CHASSIS DATA
01DEC16	JAF	NAS		MAKE
28OCT16	GVH	SMA		PIERCE
				MODEL

		JOB NO.	30563
		SCALE	DATE
TITLE	1000-D-810P, 750G WATER, (2) 30G FOAM, 152" FOLDR (3) CROSSLAYS, CABLE REEL, GENERATOR, LIGHT TOWER	DRAWN BY	GVH
FOR	CORVALLIS FIRE DEPARTMENT CORVALLIS, OREGON	CHECKED BY	SMA
DWG NO.	30563AD	SHEET SIZE	SHEET NO.
		D	1 OF 1