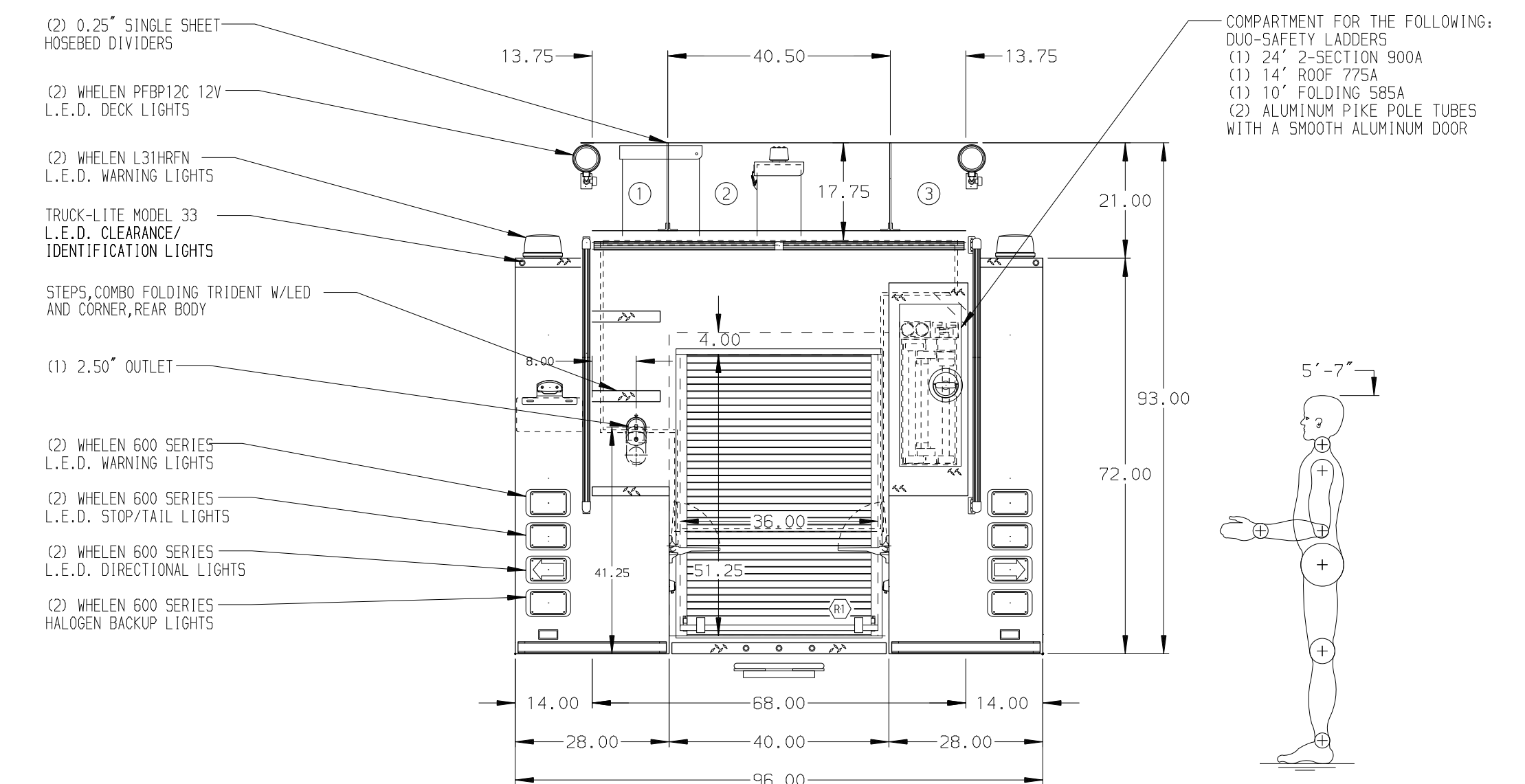
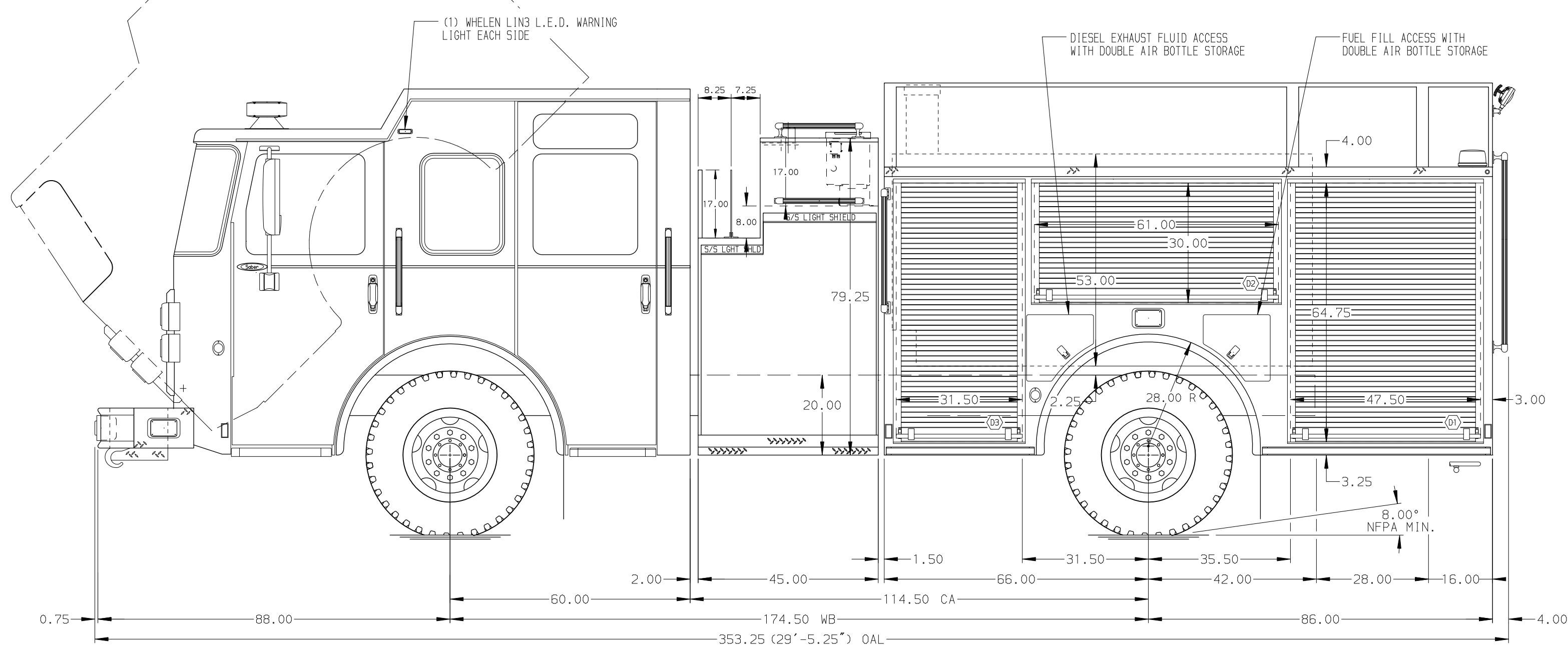


- HOSEBED CAPACITIES
- ① 400' OF 2.50" D.J. POLY HOSE
 - ② 1000' OF 5.00" D.J. POLY HOSE
 - ③ 600' OF 2.50" D.J. POLY HOSE



ALUMINUM BODY

NOTE
 DIMENSIONS SHOWN ARE APPROXIMATE AND ARE SUBJECT TO MINOR DEVIATIONS AS MAY OCCUR OR BE NECESSARY IN CONSTRUCTION. MINOR DETAILS NOT SHOWN.

REV	DATE	BY	CH	SABER FR
29AUG15	JLA	CAG		
05AUG15	JLA	CAG		

		JOB NO.	28937
		SCALE	1:24
TITLE 1250-D-1030P, 1000G WATER W/30G FOAM; 152" PMPR BDY SIDE CONTROL; 45" PUMPHOUSE; (2) CROSSLAYS; DELUGE	DATE		
	DRAWN BY	DDO	03JUN15
FOR	PIERCE FIELD UNIT	CHECKED BY	KBO
	BRADENTON, FLORIDA	SHEET SIZE	D
DWG NO.	28937AD	SHEET NO.	1 OF 1