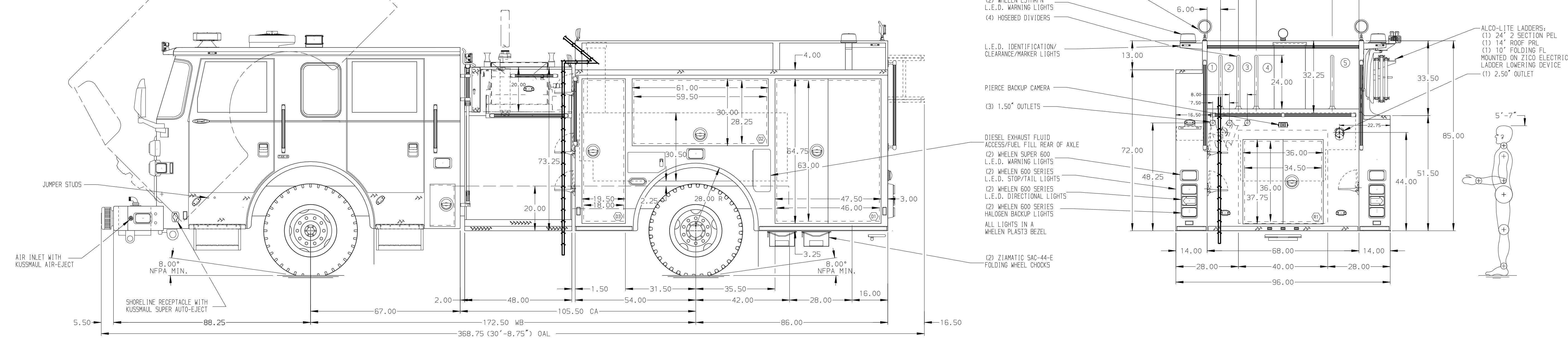


- HOSEBED CAPACITIES
- ① 150' OF 1.75" D.J. HOSE
  - ② 200' OF 1.75" D.J. HOSE
  - ③ 250' OF 1.75" D.J. HOSE
  - ④ 1000' OF 5.00" D.J. HOSE
  - ⑤ 400' OF 3.00" D.J. HOSE



ALUMINUM BODY

NOTE  
DIMENSIONS SHOWN ARE APPROXIMATE AND ARE SUBJECT TO MINOR DEVIATIONS AS MAY OCCUR OR BE NECESSARY IN CONSTRUCTION. MINOR DETAILS NOT SHOWN.

- 1. ONSPOT AUTOMATIC TIRE CHAINS TO BE PROVIDED AT REAR
- 2. KUSSMAUL BATTERY CHARGER/AIR COMPRESSOR LOCATED BEHIND DRIVER'S SEAT
- 3. BATTERY CHARGE INDICATOR LOCATED NEAR D.S. SEAT RISER WITH BRACKET
- 4. ONE FULL WIDTH/DEPTH PAINTED ADJUSTABLE SHELF IN COMPARTMENT D1,D2,D3,P1,P3,R1
- 5. PAC TRAC ON THE REAR WALL OF COMPARTMENT D1,D2,D3

REV	DATE	BY	CH	ARROW	XT
▽	30JAN17	JWO	JGO		
▽	25JAN17	JWO	JGO		
▽	16DEC16	JWO	JGO		
▽	26AUG16	CSQ	KBO		

		JOB NO.	30477
		SCALE	1:24
TITLE 1500-D-500P, 140", FULL HEIGHT D.S., BROOM P.S. DELUGE, BOOSTER REEL, ZICO LADDER RACK.	MAKE PIERCE	FOR	FAYETTEVILLE FIRE DEPARTMENT FAYETTEVILLE, ARKANSAS
		DWG NO.	30477AD
		CHECKED BY	KBO
		SHEET SIZE	D
		SHEET NO.	1 OF 1