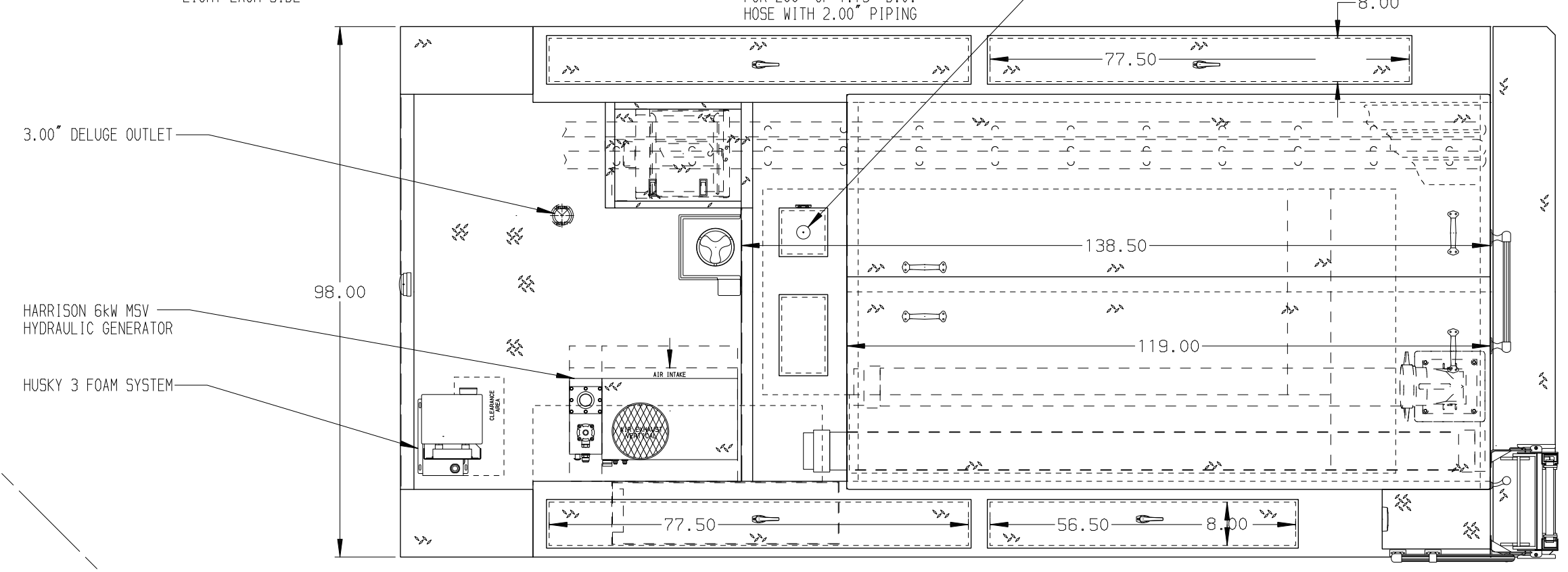
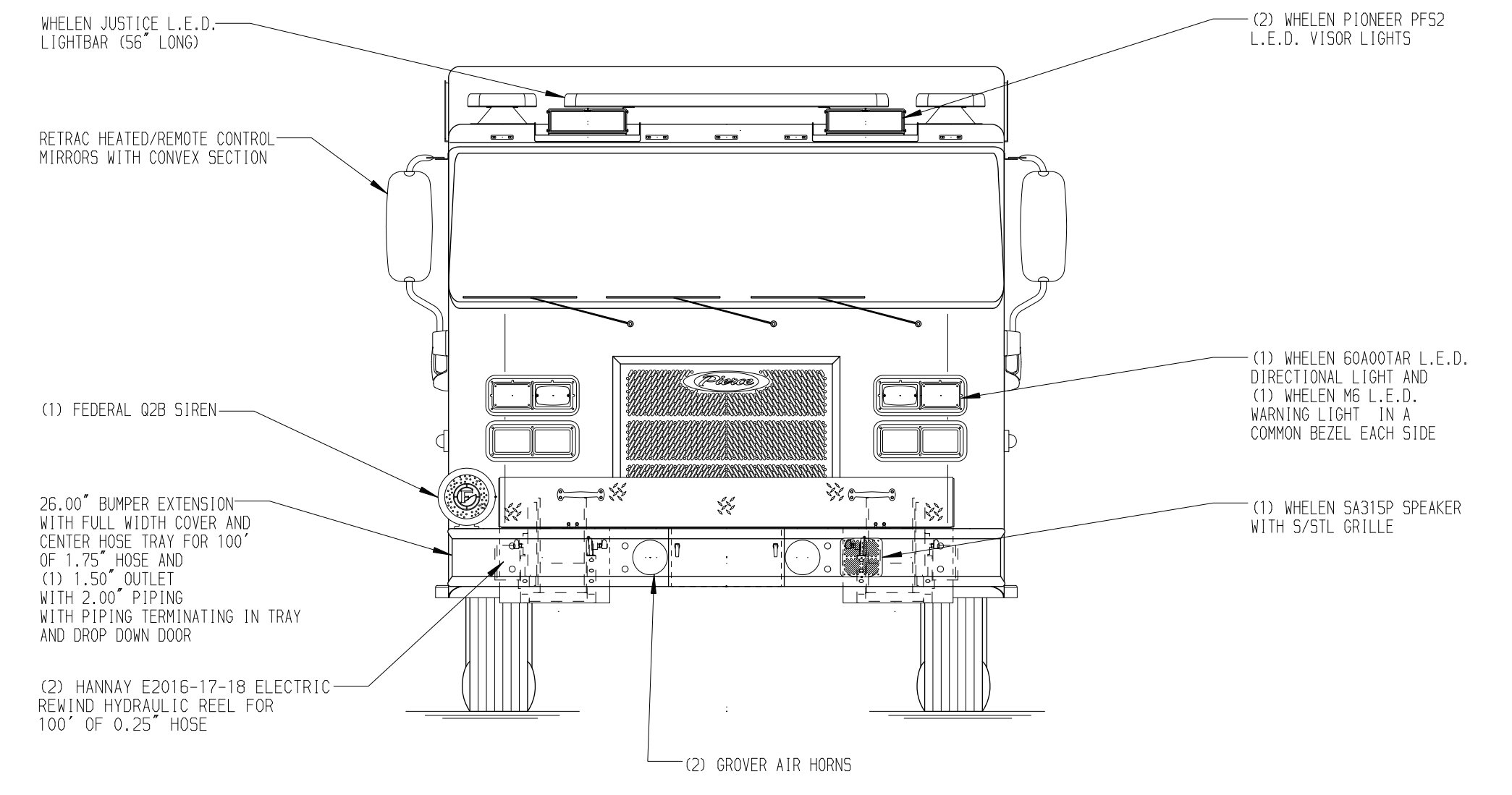
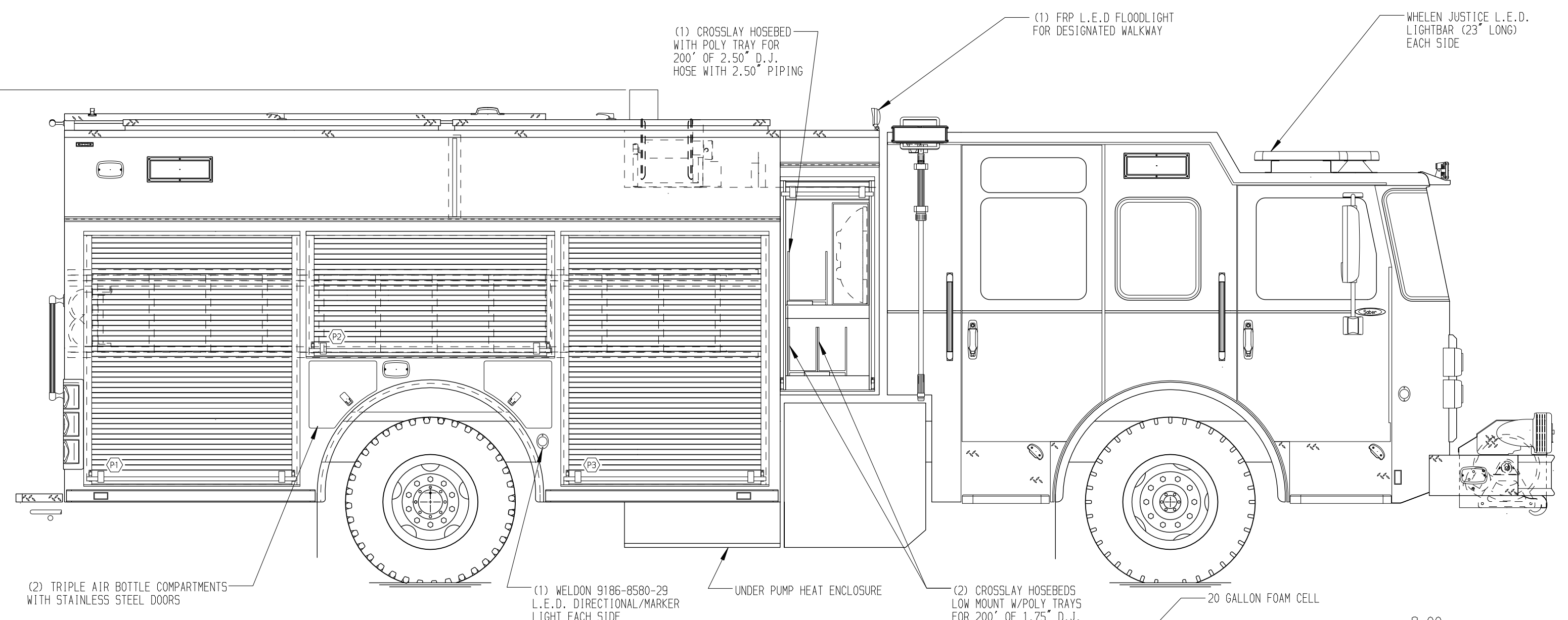
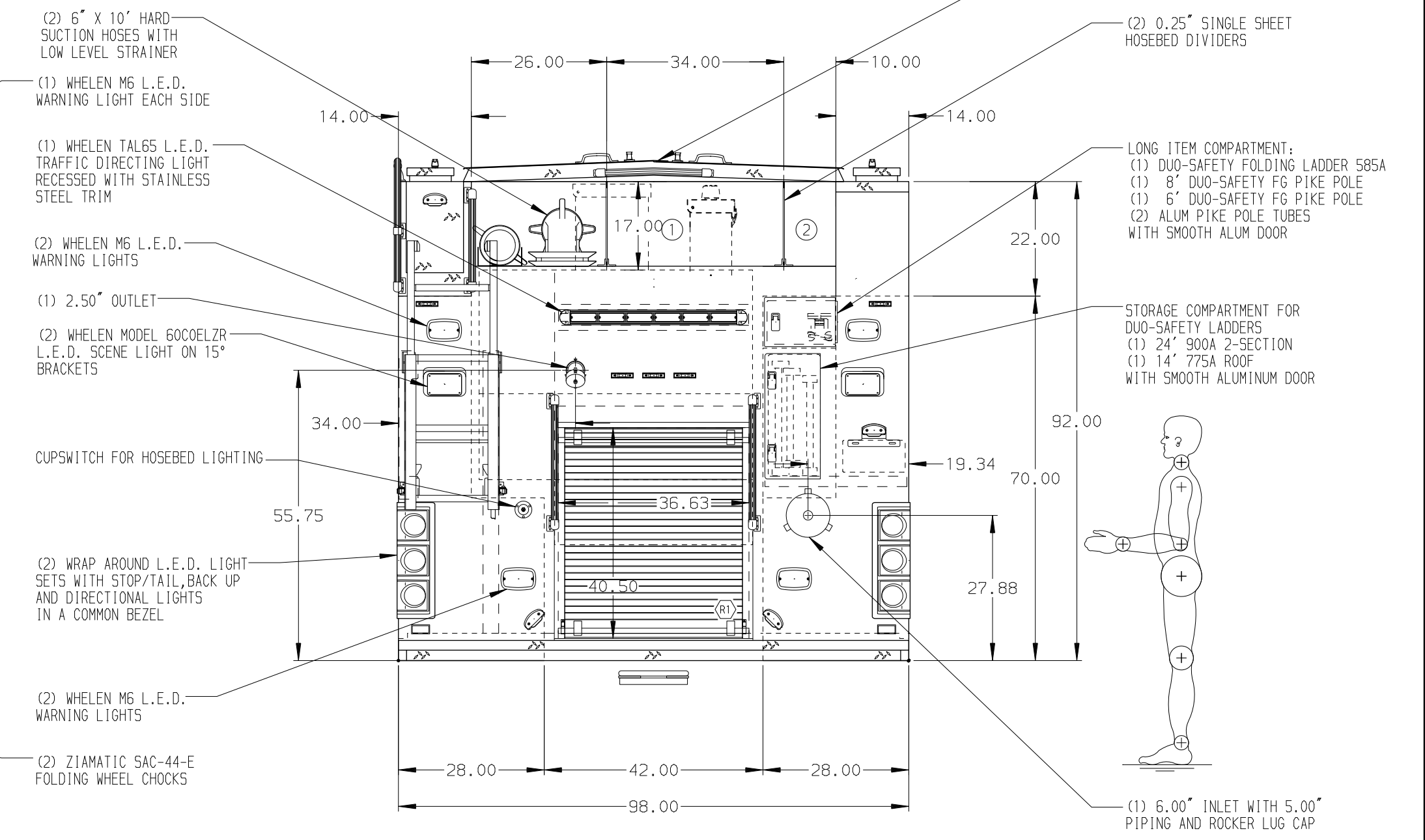
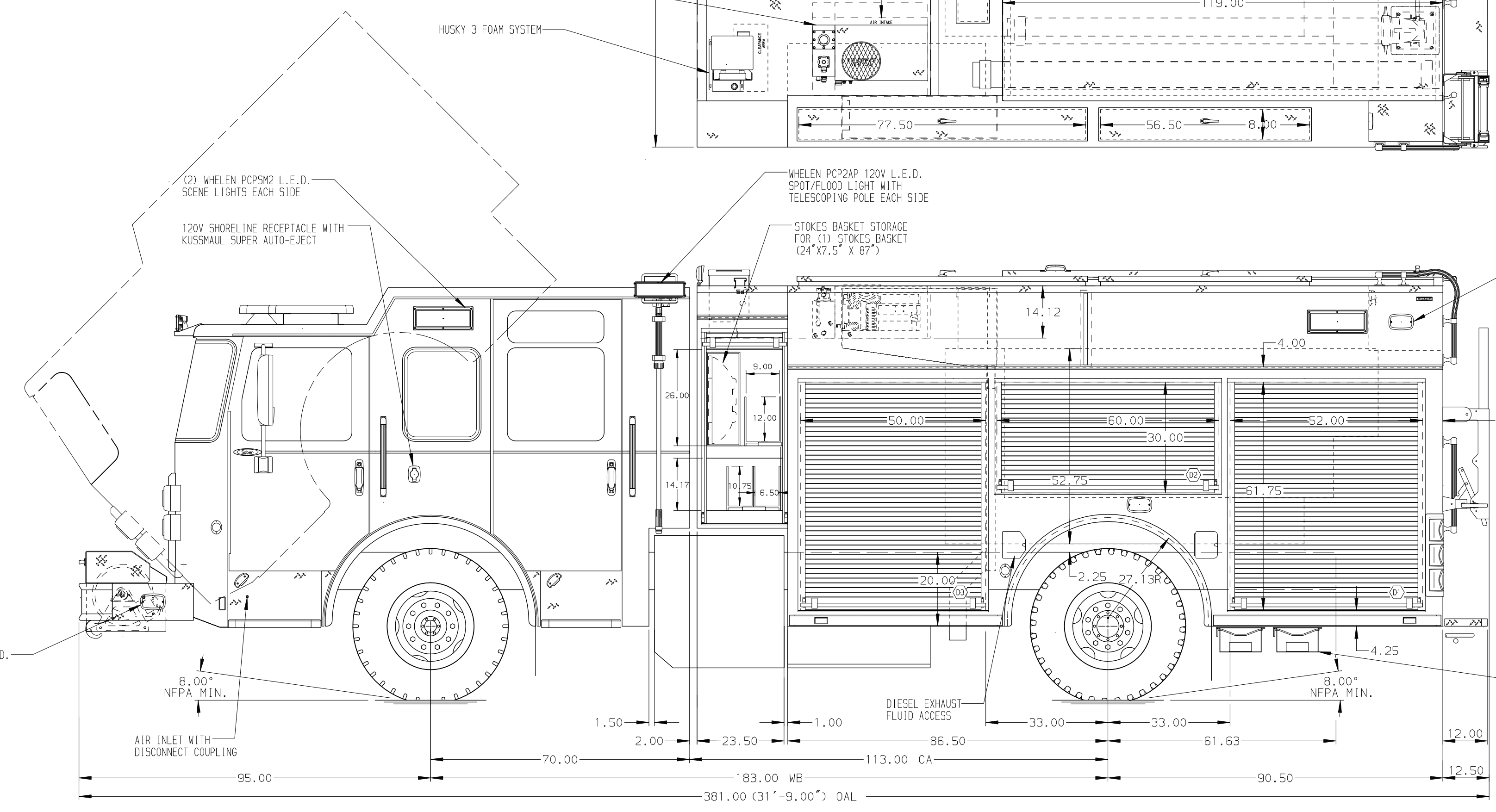


123.50
(10'-4")
APPROX
O.A.H.



HOSEBED CAPACITIES
 ① 750' OF 5.00" D.J. POLY HOSE
 ② 300' OF 2.50" D.J. POLY HOSE



ALUMINUM BODY

NOTE
 DIMENSIONS SHOWN ARE APPROXIMATE AND ARE SUBJECT TO MINOR DEVIATIONS AS MAY OCCUR OR BE NECESSARY IN CONSTRUCTION.
 MINOR DETAILS NOT SHOWN.

- BATTERY CHARGER LOCATED IN D3
- BATTERY CHARGE INDICATOR LOCATED ON DRIVER'S SEAT RISER
- FULL WIDTH/DEPTH PAINTED ADJUSTABLE SHELVES TWO IN D1 AND ONE IN D3, P1, AND P3
- ONE ADJUSTABLE HEIGHT SLIDE-OUT TRAY IN R1
- SWING-OUT TOOL BOARD WITH PEGBOARD PATTERN IN D2 AND P2
- 200# OIL DRY HOPPER IN HATCH COMPARTMENT ABOVE D3
- CIRCUIT BREAKER PANEL IN D3
- STRUT STORAGE IN TRANSVERSE STORAGE AREA BETWEEN D1 AND R1
- ONE AKRON ELECTRIC REWIND CORD REEL MODEL ERWC-15-10 WITH 200' OF 12/3 CABLE LOCATED IN CARGO AREA WITH ALUMINUM 4-WAY ENCLOSURE
- MOUNTING BRACKET FOR GENESIS15 POWER SUPPLY IN P3

- ONE WEATHERPROOF 120V RECEPTACLE IN P3
- ONE 7-PLACE RECEPTACLE STRIP IN EACH EMS CABINET AND BEHIND THE DRIVER'S SEAT

REV	DATE	BY	CH	SABER FR
09NOV16	LST	JBO	MAKE	
03OCT16	LST	JBO	PIERCE	
01SEP16	LST	JBO	MODEL	

		JOB NO.	30101
		SCALE	DATE
CHASSIS DATA TITLE FOR DWG NO.	1500-D-1020P 1000 GAL WATER W/20 GAL FOAM CELL 177" PUC SLT, LADDERS BTWN. TANK AND S. SHEET		DRAWN BY LST
	GALESVILLE FIRE DEPARTMENT GALESVILLE, WISCONSIN		CHECKED BY MGE
30101AD		SHEET SIZE	SHEET NO.
		D	1 OF 1