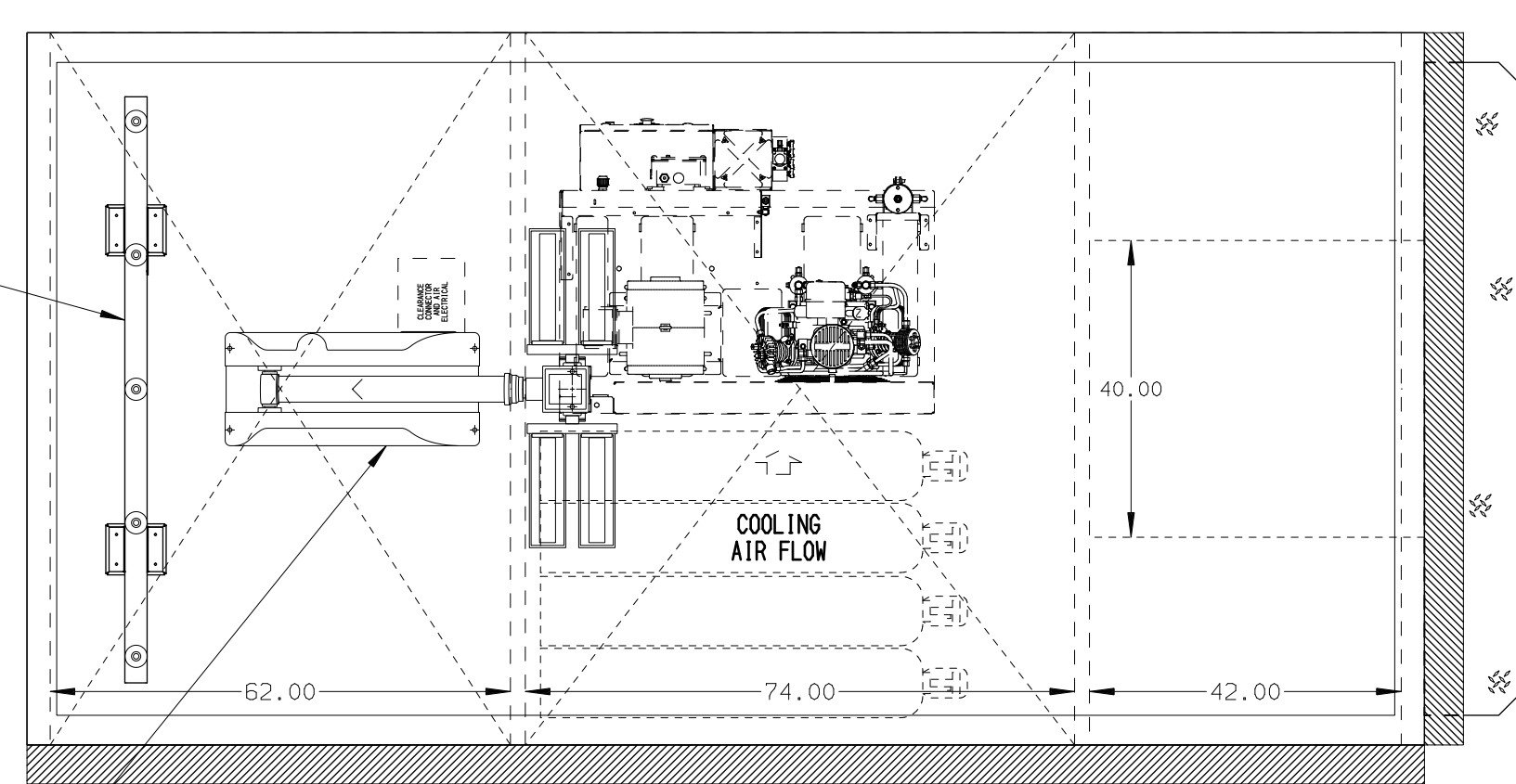
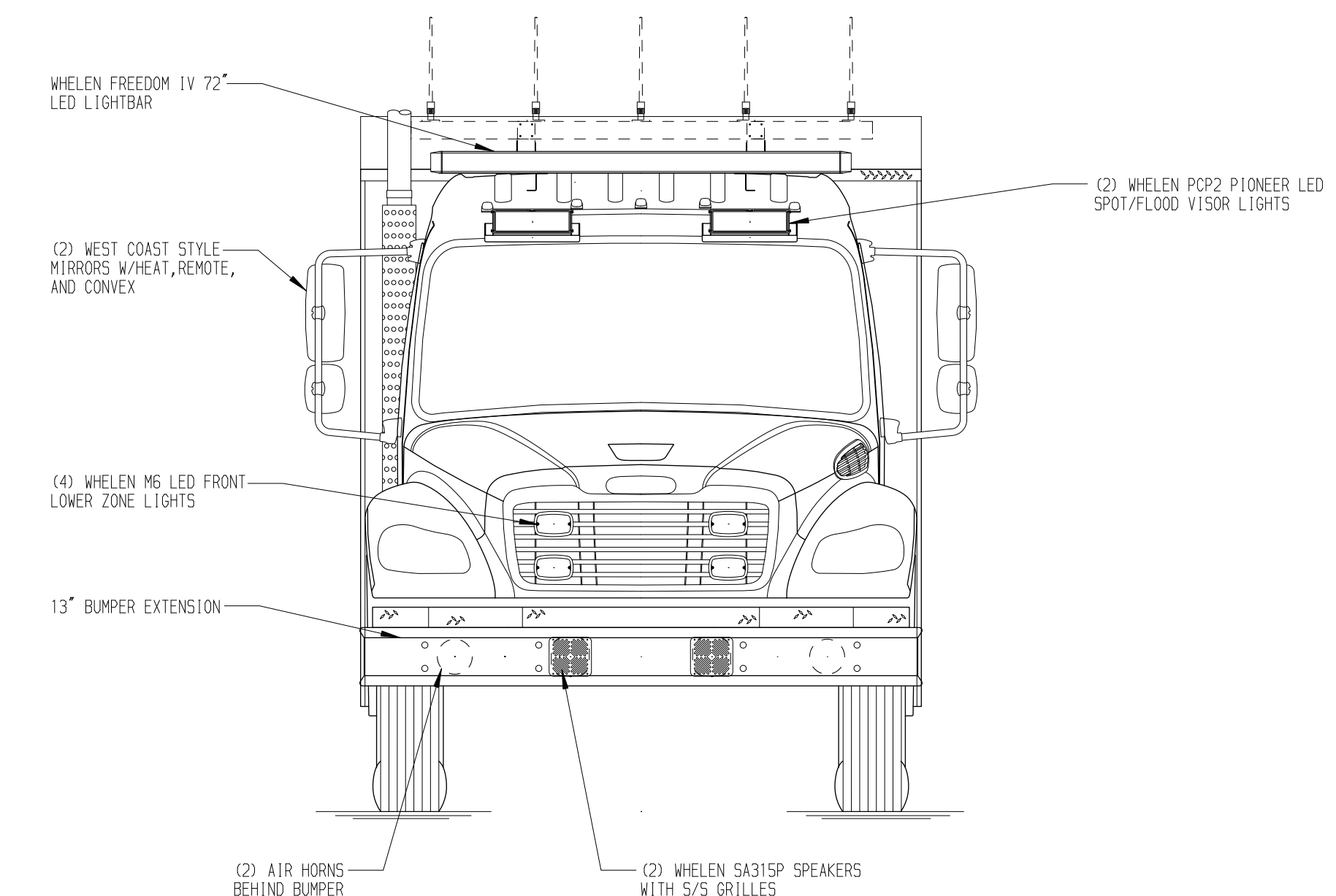
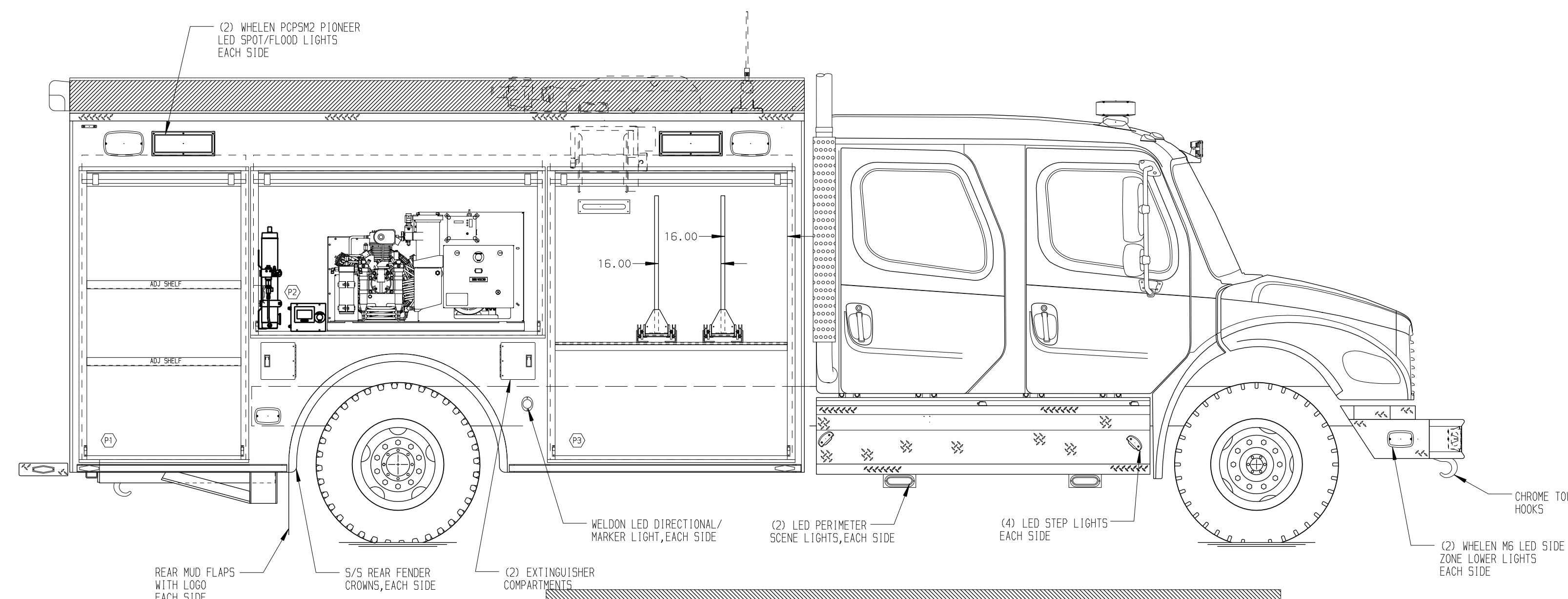


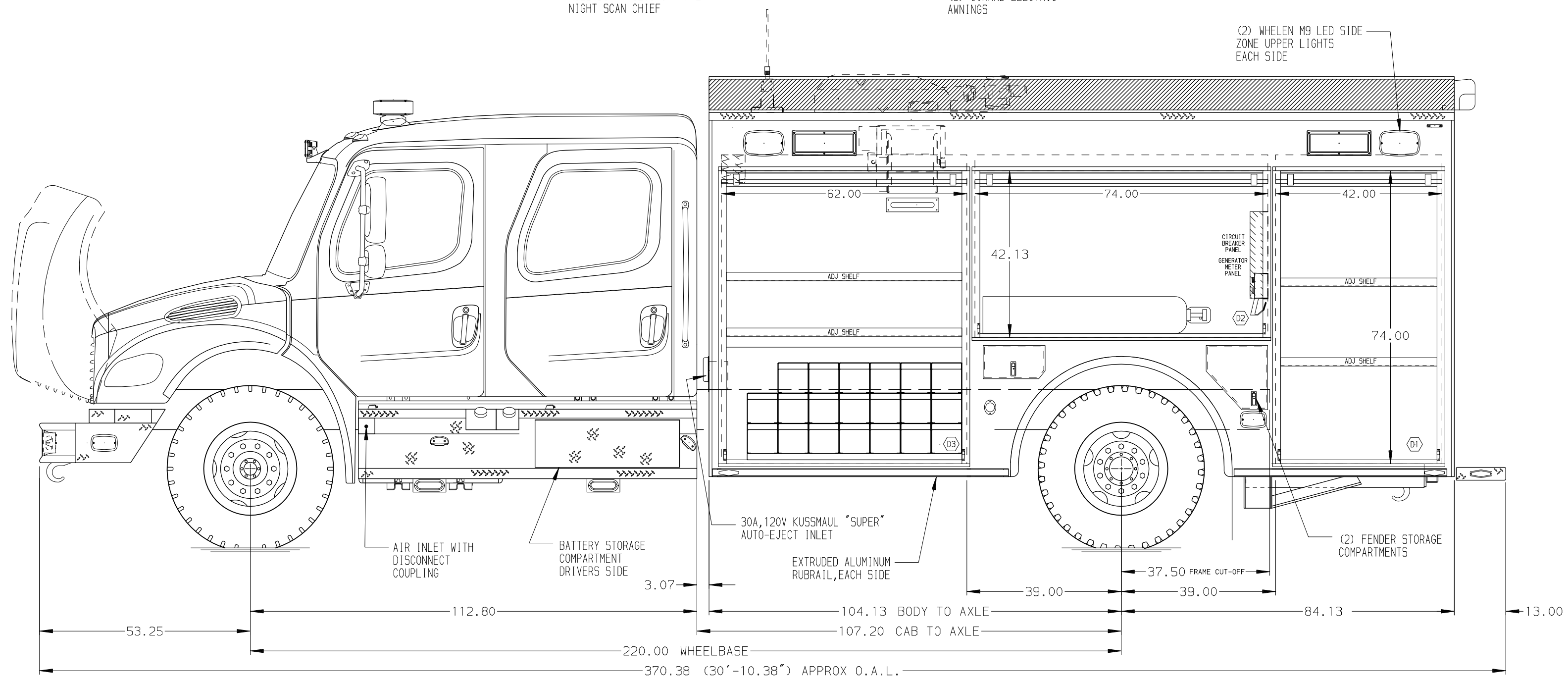
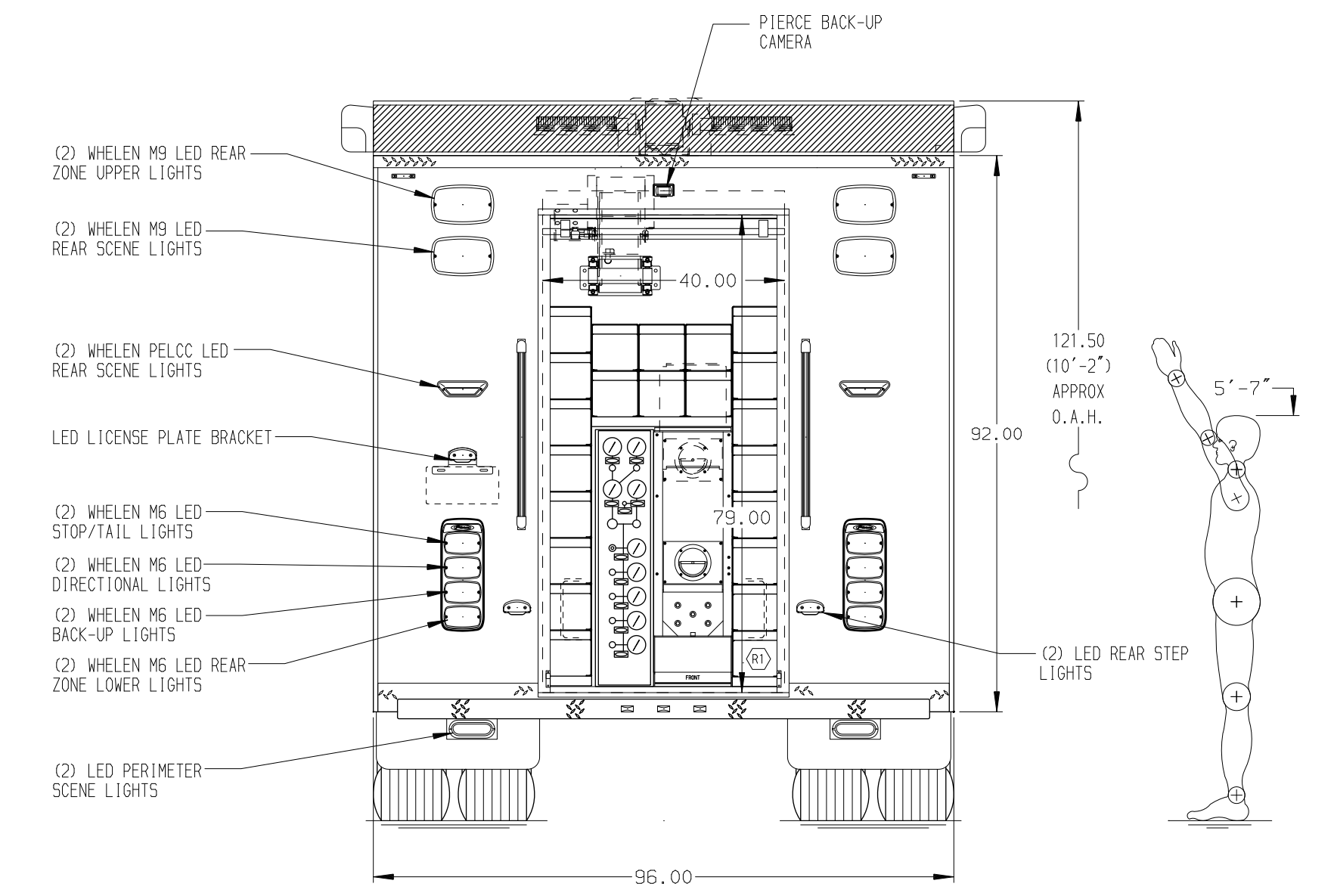
PASSENGER'S SIDE COMPARTMENTS CONTAIN THE FOLLOWING:

- COMPARTMENT P1 CONTAINS:
 - (2) STD DEPTH ADJ SHELVES
 -
 -
- COMPARTMENT P2 CONTAINS:
 - (1) BAUER 13CFM BREATHING AIR COMPRESSOR
 - COMPRESSOR CONTROL PANEL
 - BREATHING AIR PURIFIERS
 - (1) 20A, 120V DUPLEX RECEPTACLE
- COMPARTMENT P3 CONTAINS:
 - (1) HORIZONTAL FLOOR EXTENSION
 - (2) 42" DP SLIDE OUT TOOLBOARDS
 - (1) ELECTRIC CORD REEL WITH 200' OF 10/4 YELLOW CORD



- REAR COMPARTMENT CONTAINS THE FOLLOWING:**
- COMPARTMENT R1 CONTAINS:
 - (1) "SPACE SAVER" 2-BOTTLE FILL ENCLOSURE
 - (1) CASCADE SYSTEM CONTROL PANEL
 - (1) HIGH PRESSURE BREATHING AIR REEL W/150' OF HOSE
 - (1) RACK FOR 22 SCBA BOTTLES

- DRIVER'S SIDE COMPARTMENTS CONTAIN THE FOLLOWING:**
- COMPARTMENT D1 CONTAINS:
 - (2) STD DEPTH ADJ SHELVES
 -
- COMPARTMENT D2 CONTAINS:
 - (4) 6000 UN AIR STORAGE BOTTLES
 - (1) CIRCUIT BREAKER PANEL
 - (1) GENERATOR METER PANEL
 - (1) LIGHT TOWER CONTROLLER
 - (1) 15A, 120V 5-PLACE RECEPTACLE STRIP
- COMPARTMENT D3 CONTAINS:
 - (1) DUAL PRO CHARGER
 - (2) 42" DP ADJ SHELVES
 - (1) RACK FOR 20 SCBA BOTTLES
 - (1) ELECTRIC CORD REEL WITH 200' OF 10/4 YELLOW CORD



NOTE
 DIMENSIONS SHOWN ARE APPROXIMATE AND ARE SUBJECT TO MINOR DEVIATIONS AS MAY OCCUR OR BE NECESSARY IN CONSTRUCTION. MINOR DETAILS NOT SHOWN.

- NOTES:**
- BATTERY CHARGE INDICATOR LOCATED ON DRIVER'S SEAT RISER
 - STONE GUARDS ON FRONT OF BODY
 - TURTLE TILE MATTING ON COMPARTMENT FLOORS AND 2 ADJUSTABLE SHELVES
 - PULL STRAPS ON ALL BODY ROLL-UP DOORS
 - S/5 GUARD ON ROLL-UP DOOR IN COMPARTMENT P1
 - PIERCE DUAL LED LIGHTS IN ALL BODY COMPARTMENTS
 - LIMA 40KW THREE PHASE PTO DRIVEN GENERATOR LOCATED BETWEEN THE FRAME RAILS

CLEAR DOOR WIDTH KEY		REV	DATE	BY	CH	CHASSIS DATA
AMDR ROLL UP DOORS:	-1 7/8"	13SEP16	DHE	CDK	MAKE	TITLE
CORTITE ROLL UP DOORS:	-2 3/4"	18AUG16	AZU	CDK	MODEL	ENCORE RESCUE VEHICLE
PIERCE DOUBLE LAP DOORS:	-4 1/4"	10JUN16	DHE	CDK	FREIGHTLINER	62.74.42
PIERCE LIFT-UP LAP DOORS:	-3 1/2"	03MAY16	DHE	AZU	MODEL	CITY OF GRANBURY
(EX: 60" F-F - 1 7/8" = 58 1/8" CLEAR)						FOR
(F-F) = FRAME TO FRAME						GRANBURY, TX
						DWG NO.
						29880AD

		JOB NO.	29880
		SCALE	DATE
MANUFACTURING INC.		DRAWN BY	15APR16
		CHECKED BY	25APR16
RUSSELL MABRA		SHEET SIZE	SHEET NO.
		D	1 OF 1