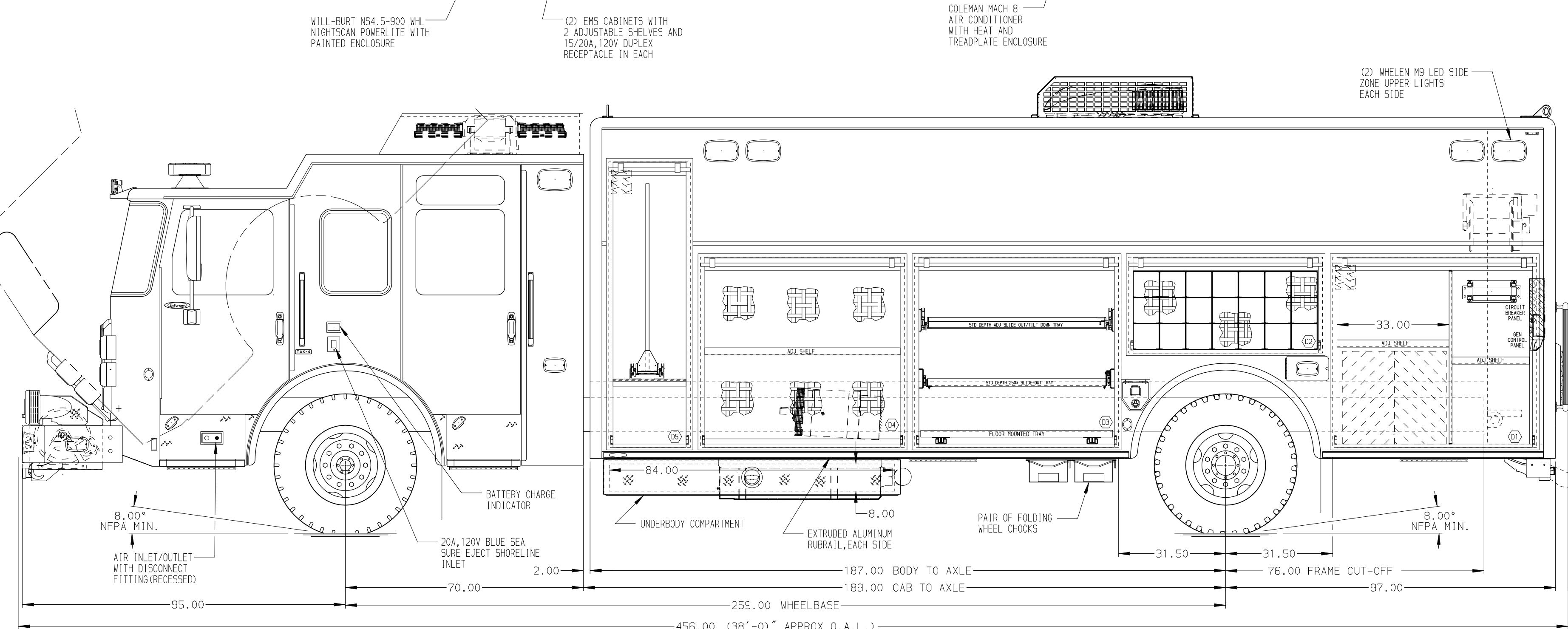
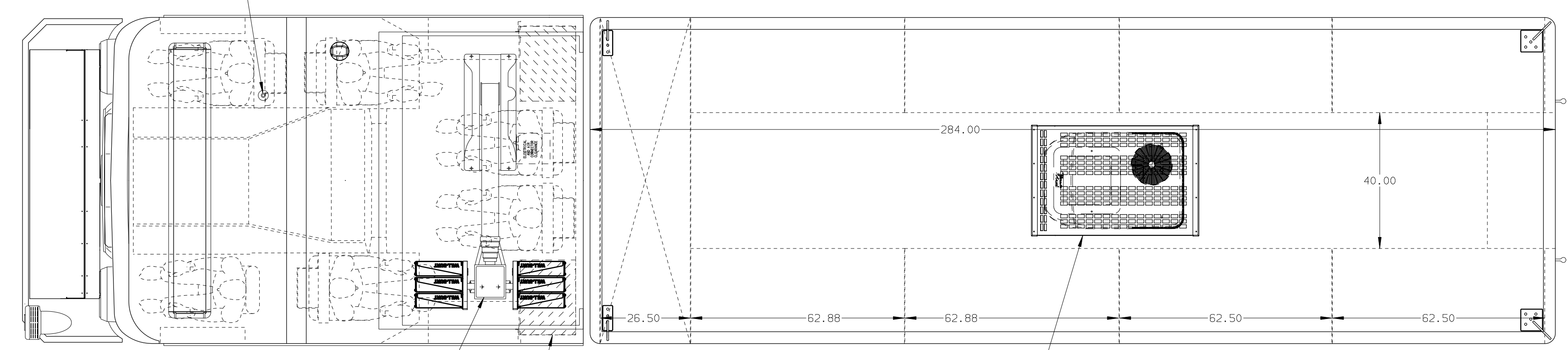
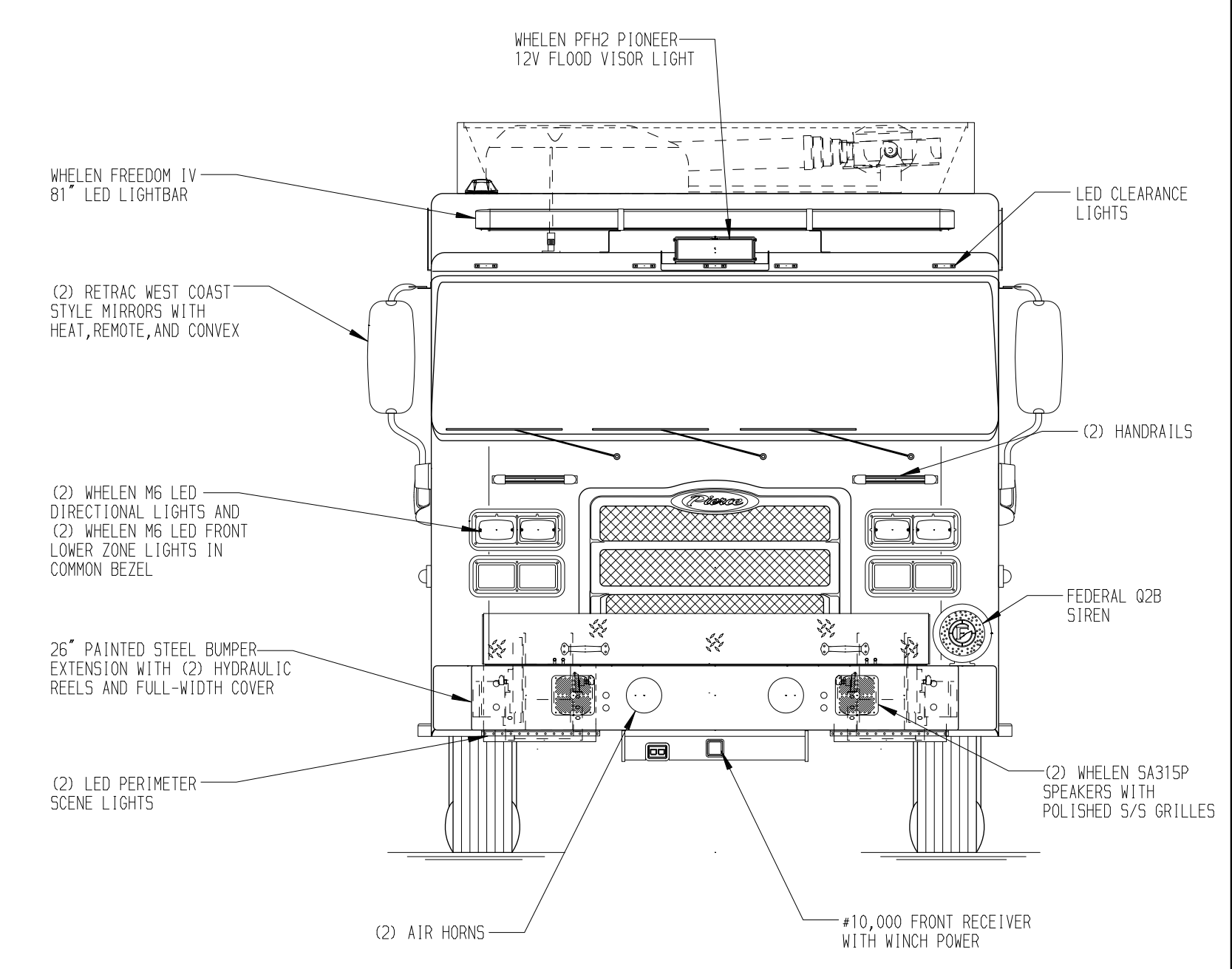
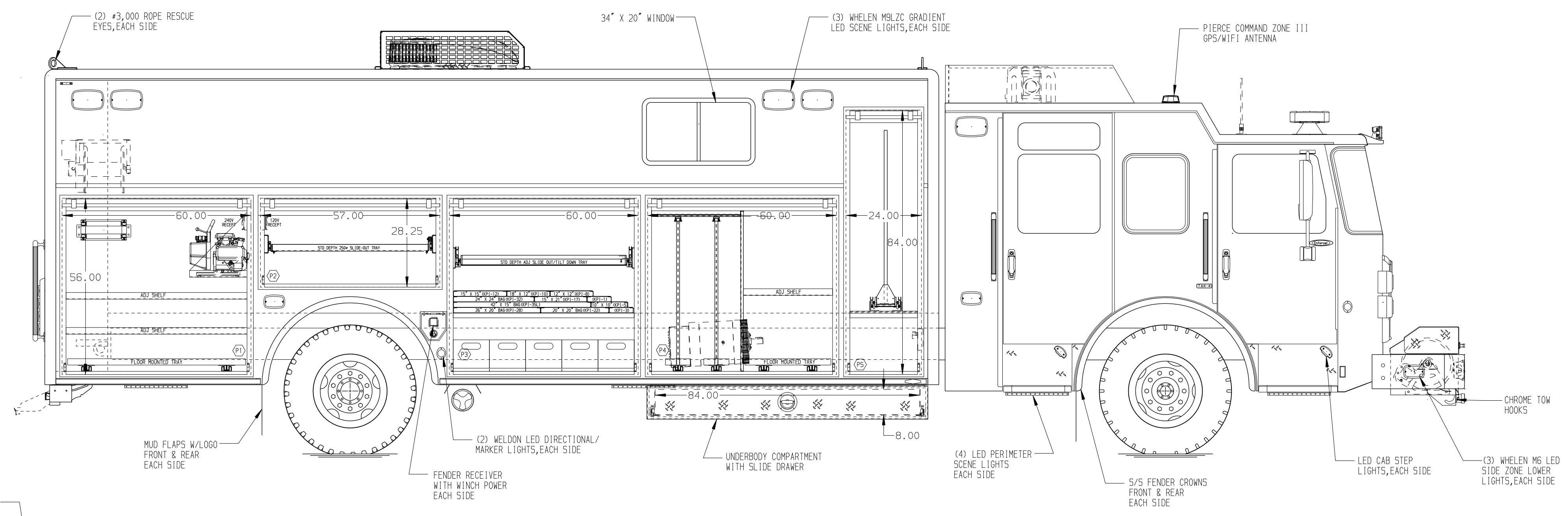
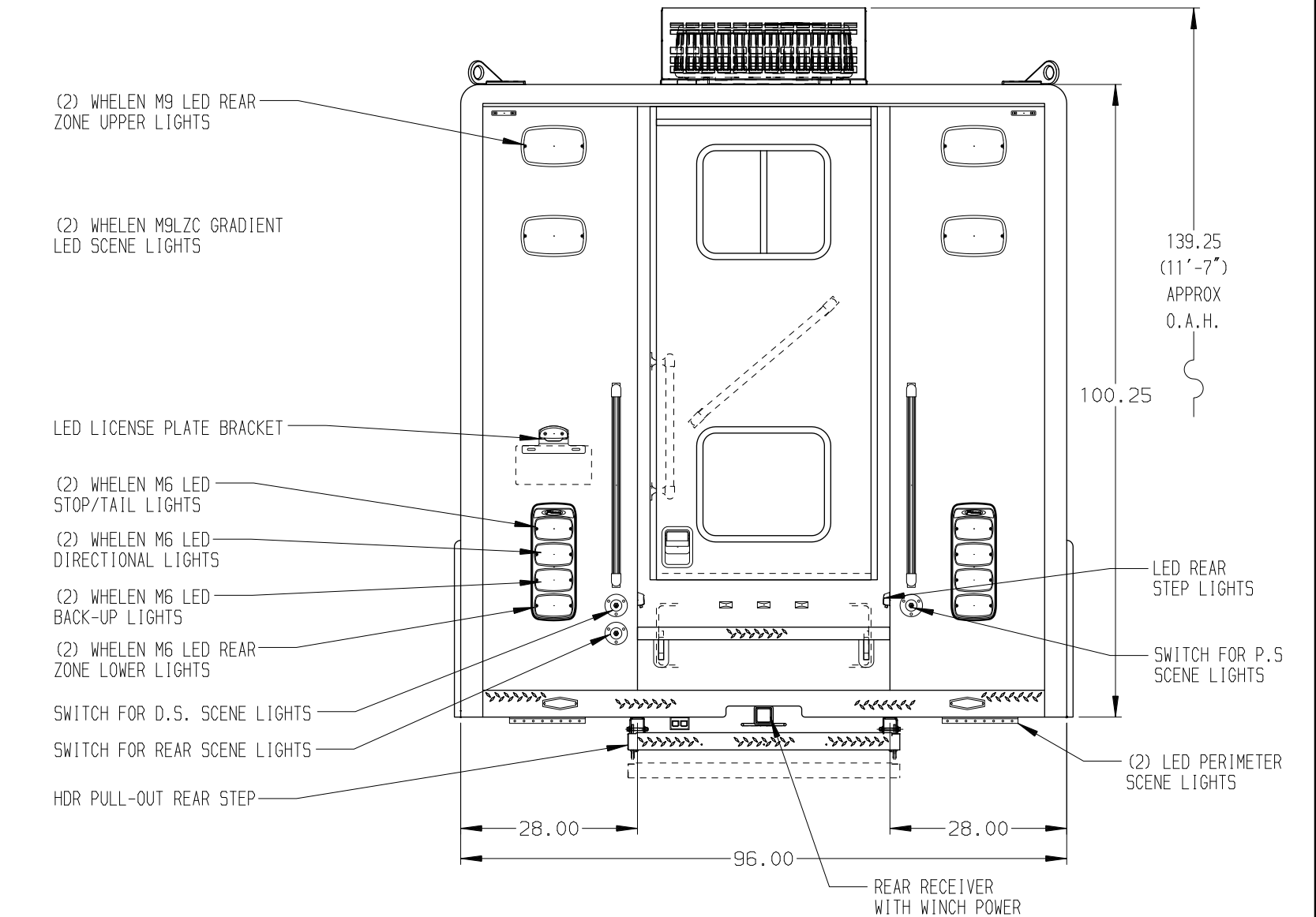


- PASSENGER'S SIDE COMPARTMENTS CONTAIN THE FOLLOWING:**
- COMPARTMENT P1 CONTAINS:
 - (1) QUSSETED SHELF
 - (2) STD DEPTH ADJ SHELVES
 - (1) STD DEPTH FLOOR MOUNTED TRAY
 - (1) ELECTRIC CORD REEL WITH 150' OF 10/3 YELLOW CORD
 - (1) 30A, 240V T.L. RECEPTACLE
 - COMPARTMENT P2 CONTAINS:
 - (1) STD DEPTH ADJ SLIDE OUT TRAY
 - (1) 15/20A, 120V DUPLEX RECEPTACLE
 - COMPARTMENT P3 CONTAINS:
 - (1) HORIZONTAL FLOOR EXTENSION
 - (1) RACK FOR 11 AIR BAGS
 - (5) POLY TOOL BOXES
 - (1) STD DEPTH ADJ SLIDE OUT/TILT TRAY
 - COMPARTMENT P4 CONTAINS:
 - (1) VERTICAL COMPARTMENT DIVIDER
 - (2) STD DEPTH ADJ SLIDE OUT TOOLBOARDS
 - (1) STD DEPTH ADJ SHELF
 - (1) STD DEPTH FLOOR MOUNTED TRAY
 - COMPARTMENT P5 CONTAINS:
 - CAB LIFT CONTROL
 - (1) HORIZONTAL FLOOR EXTENSION
 - (1) 1/2 DEPTH ADJ SLIDE OUT TOOLBOARD



- DRIVER'S SIDE COMPARTMENTS CONTAIN THE FOLLOWING:**
- COMPARTMENT D1 CONTAINS:
 - (1) VERTICAL COMPARTMENT DIVIDER
 - (2) STD DEPTH ADJ SHELVES
 - (1) CIRCUIT BREAKER PANEL
 - (1) GENERATOR METER PANEL
 - (3) NIGHTSCAN CONTROLLER
 - (1) ELECTRIC CORD REEL WITH 150' OF 10/3 YELLOW CORD
 - COMPARTMENT D2 CONTAINS:
 - (1) RACK FOR 21 SCBA BOTTLES WITH CARGO NETTING
 - COMPARTMENT D3 CONTAINS:
 - (1) STD DEPTH ADJ SLIDE OUT TRAY
 - (1) STD DEPTH ADJ SLIDE OUT/TILT TRAY
 - (1) STD DEPTH FLOOR MOUNTED TRAY
 - COMPARTMENT D4 CONTAINS:
 - ANGLED TREADPLATE FLOOR
 - CARGO RETENTION NETTING
 - (1) STD DEPTH ADJ SHELF
 - COMPARTMENT D5 CONTAINS:
 - (1) HORIZONTAL FLOOR EXTENSION
 - (1) 1/2 DEPTH ADJ SLIDE OUT TOOLBOARD
 - (1) BATTERY CHARGER/INVERTER



NOTE
DIMENSIONS SHOWN ARE APPROXIMATE AND ARE SUBJECT TO MINOR DEVIATIONS AS MAY OCCUR OR BE NECESSARY IN CONSTRUCTION. MINOR DETAILS NOT SHOWN.

- NOTES:**
- ONSPOT AUTOMATIC TIRE CHAINS
 - ONAN 25kW SINGLE PHASE PTO DRIVEN GENERATOR LOCATED BETWEEN THE FRAME RAILS
 - BRUSHED S/S SCUFFPLATES ON CAB DOOR JAMBS
 - FLOOR IN CAB AND CREW CAB TO BE PADDED RUBBER
 - ROLL STRIPS FOR ROLL-UP DOORS IN COMPARTMENTS D5 AND P5
 - S/S GUARDS OVER ALL BODY ROLL-UP DOORS
 - PIERCE LED STRIP LIGHTS IN ALL BODY ROLL-UP DOORS

(SIDE ROLL & FRONTAL IMPACT PROTECTION)

CLEAR DOOR WIDTH KEY		CHASSIS DATA
AMOR ROLL UP DOORS:	-2 1/4"	04APR18 DHE CDK MAKE
CORTITE ROLL UP DOORS:	-2 1/2"	25JAN18 DHE CDK PIERCE
PIERCE DOUBLE LAP DOORS:	-4 1/4"	11DEC17 DHE CDK MODEL
PIERCE LIFT-UP LAP DOORS:	-1 1/2"	REV DATE BY CH EN7010

		JOB NO.	31750
		SCALE	DATE
TITLE	HEAVY DUTY RESCUE WALKIN	DRAWN BY	DHE 28NOV17
FOR	HALL COUNTY EMERGENCY SERVICES HALL CO, GA	CHECKED BY	CDK 01DEC17
DWG NO.	31750AD-SH1	SHEET SIZE	SHEET NO.
		D	1 OF 1