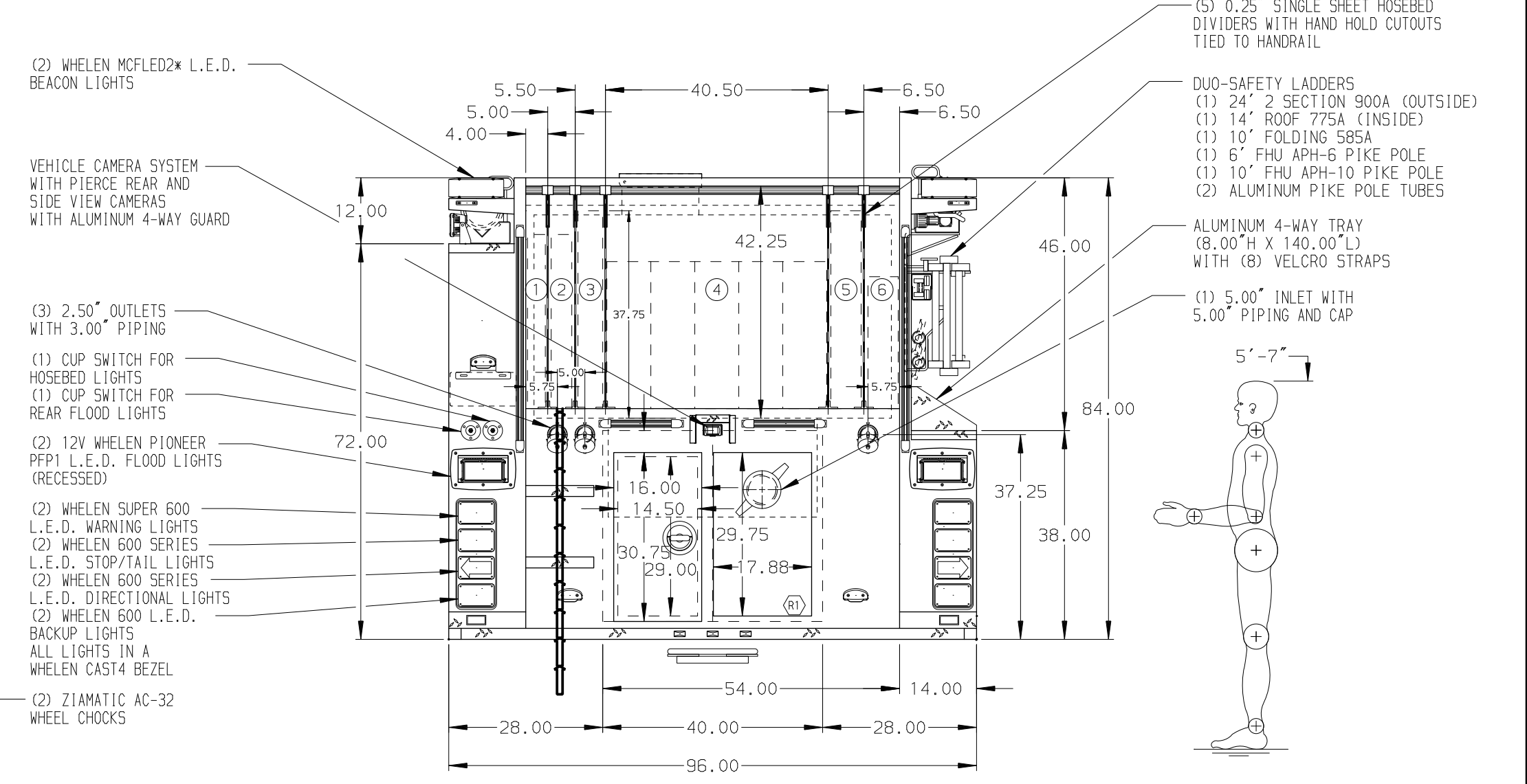
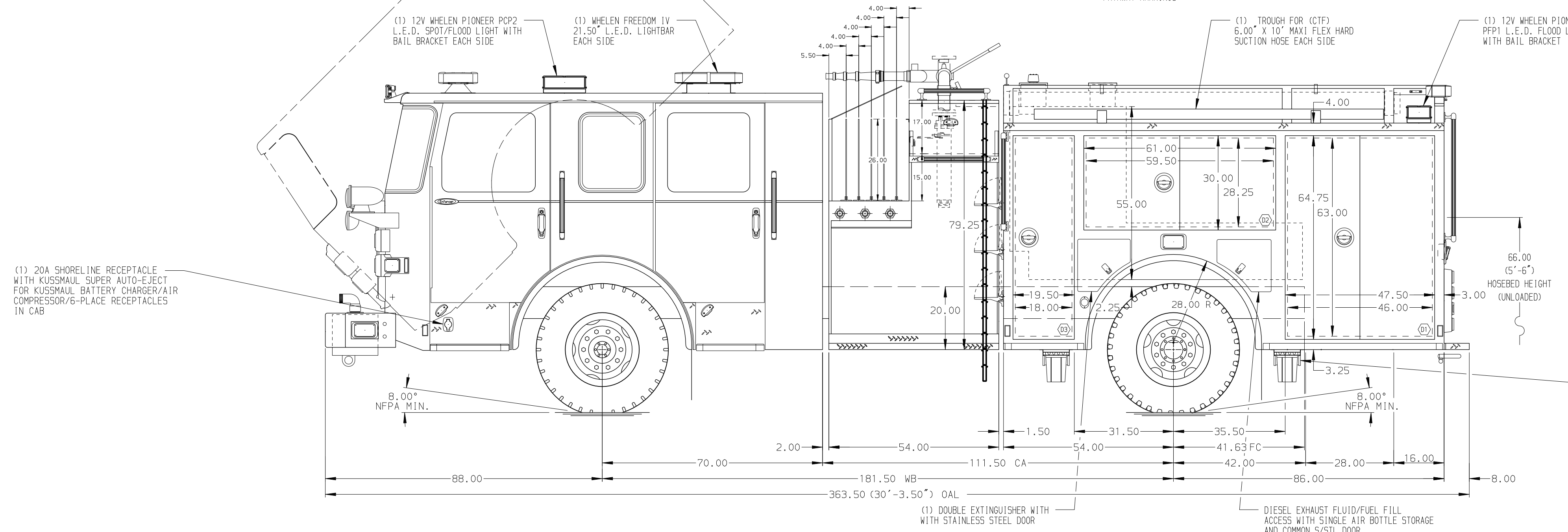


HOSEBED CAPACITIES

1	300' OF 1.75" D.J. HOSE
2	300' OF 2.00" D.J. HOSE
3	300' OF 2.50" D.J. HOSE
4	1200' OF 5.00" D.J. HOSE
5	600' OF 3.00" D.J. HOSE
6	200' OF 3.00" D.J. HOSE



ALUMINUM BODY

SIDE ROLL AND FRONTAL IMPACT PROTECTION

NOTE
DIMENSIONS SHOWN ARE APPROXIMATE AND ARE SUBJECT TO MINOR DEVIATIONS AS MAY OCCUR OR BE NECESSARY IN CONSTRUCTION. MINOR DETAILS NOT SHOWN.

- KUSSMAUL PUMP PLUS 1200 BATTERY CHARGER/AIR COMPRESSOR LOCATED BEHIND DRIVER'S SEAT
- BATTERY CHARGER INDICATOR LOCATED ON DRIVER'S SEAT RISER
- REVERSED HINGED DOOR ON COMPARTMENTS D3 & P2
- ONE FLOOR MOUNTED FULL WIDTH/DEPTH SLIDE-OUT TRAY IN COMPARTMENT D1
- PARTITION BETWEEN COMPARTMENTS D1/R1 AND P1/R1
- AIR INLET WITH DISCONNECT COUPLING LOCATED ON D.S. PUMP PANEL
- AIR OUTLET WITH SHUT OFF VALVE LOCATED ON D.S. PUMP PANEL
- EXTERNAL FOAM SYSTEM
- ONE 20A, 120V 6-PLACE RECEPTACLE STRIP BEHIND PASSENGER'S SEAT AND IN EACH EMS CABINET
- ONE 20A, 120V DUPLEX RECEPTACLE IN COMPARTMENT D1

REV	DATE	BY	CH	ENFORCER
26SEP16	NPA	DTS		PIERCE
26AUG16	NPA	DTS		MODEL

		JOB NO.	30249
		SCALE	DATE
TITLE	1500-D-500P W/20 GAL FOAM, 140" FH DS, LOW PS SIDE CONTROL, (6) XLYAS, LADDERS ON SIDE, DELUGE	DRAWN BY	NPA 20JUN16
FOR	HARRISBURG BUREAU OF FIRE HARRISBURG, PENNSYLVANIA	CHECKED BY	CSH 21JUN16
DWG NO.	30249AD	SHEET SIZE	SHEET NO.
		D	1 OF 1