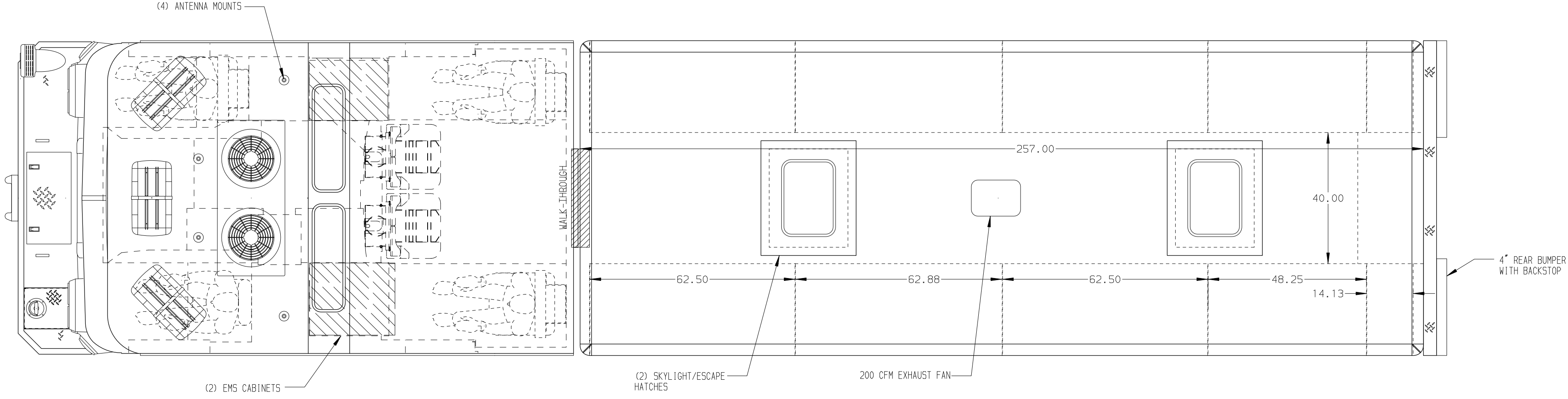
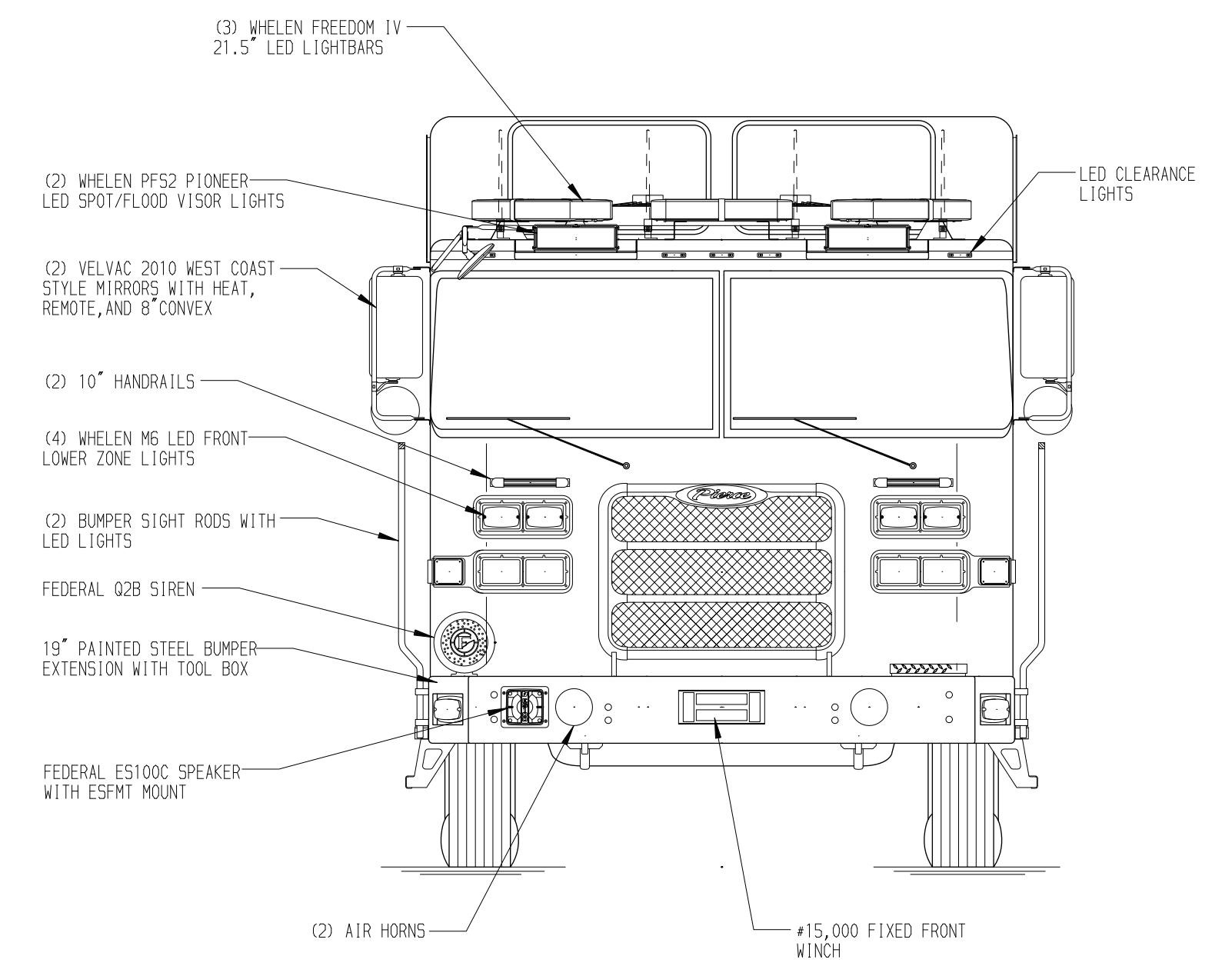
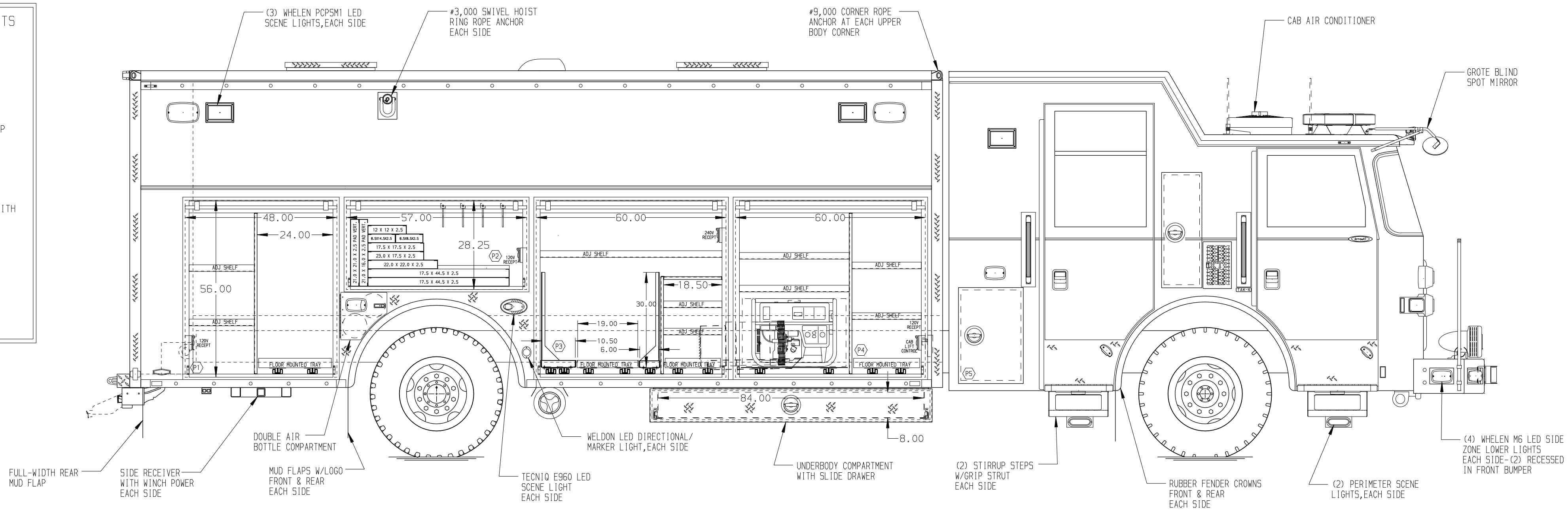


**PASSENGER'S SIDE COMPARTMENTS CONTAIN THE FOLLOWING:**

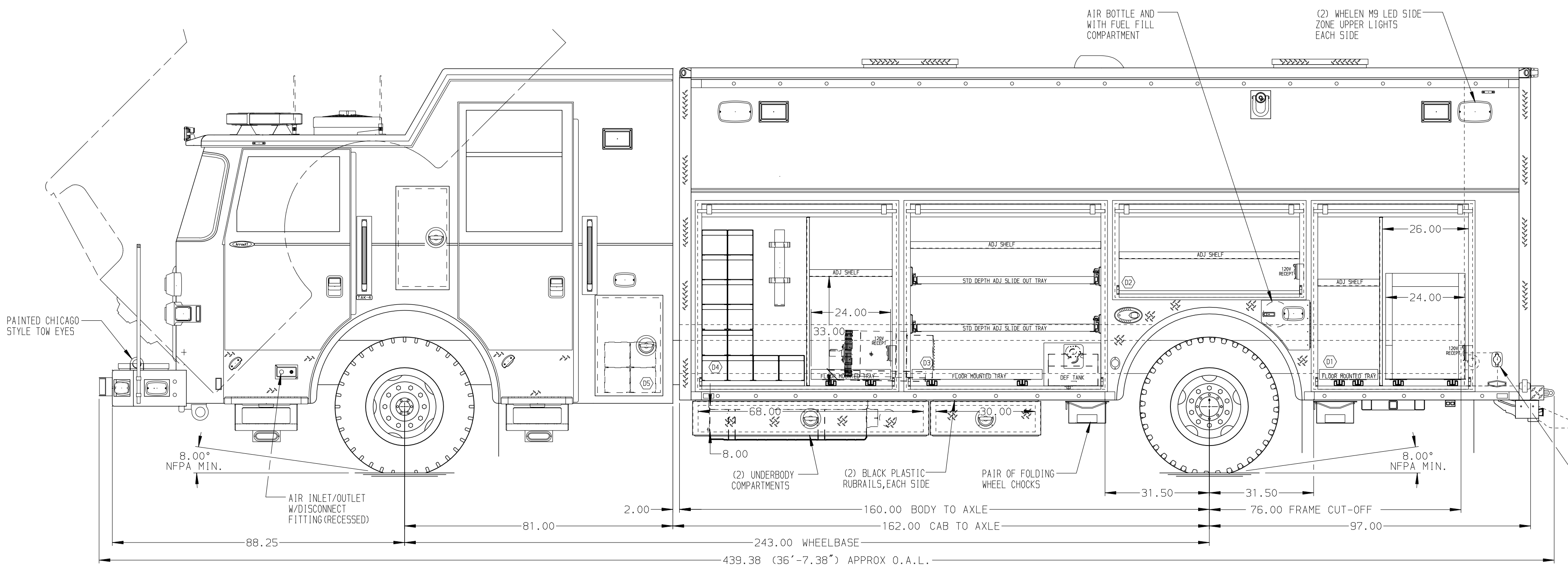
- COMPARTMENT P1 CONTAINS:**  
 - (1) VERTICAL COMPARTMENT DIVIDER  
 - (2) STD DEPTH ADJ SHELVES  
 - (1) STD DEPTH FLOOR MOUNTED TRAY
- COMPARTMENT P2 CONTAINS:**  
 - (1) BACK FOR 10 AIR BAGS WITH 1" LIP  
 - (4) 3" HOOKS WITH TRACK
- COMPARTMENT P3 CONTAINS:**  
 - (1) L SHAPED COMPARTMENT DIVIDER  
 - (2) STD DEPTH FLOOR MOUNTED TRAYS  
 - (3) STD DEPTH ADJ SHELVES  
 - (2) STD DEPTH FLOOR MOUNTED TRAYS WITH SPECIAL SIDE HEIGHT  
 - (1) 20A, 120V T.L. RECEPTACLE
- COMPARTMENT P4 CONTAINS:**  
 - (1) CAB LIFT CONTROLLER  
 - (2) STD DEPTH FLOOR MOUNTED TRAYS  
 - (1) VERTICAL COMPARTMENT DIVIDER  
 - (4) STD DEPTH ADJ SHELVES  
 - (1) HONDA PORTABLE GAS GENERATOR  
 - (1) 20A, 120V T.L. RECEPTACLE



**REAR COMPARTMENTS CONTAINS THE FOLLOWING:**

**COMPARTMENT R1 CONTAINS:**  
 - PEGBOARD ON SIDE AND REAR WALLS

**COMPARTMENT R2 CONTAINS:**  
 - PEGBOARD ON SIDE AND REAR WALLS



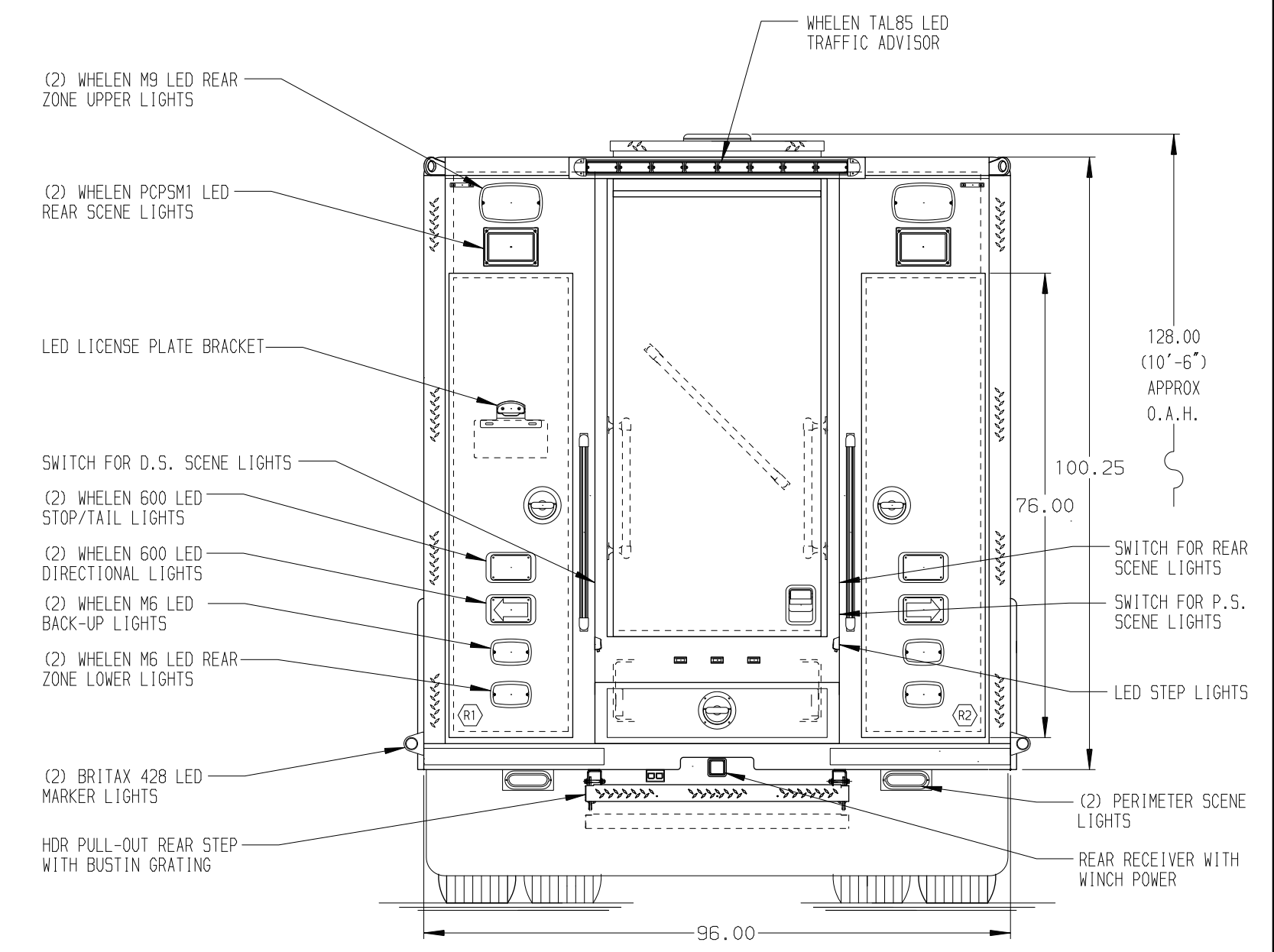
**DRIVER'S SIDE COMPARTMENTS CONTAIN THE FOLLOWING:**

**COMPARTMENT D1 CONTAINS:**  
 - (1) SLIDE OUT BRACKET FOR OUTBOARD MOTOR  
 - (1) VERTICAL COMPARTMENT DIVIDER  
 - (1) STD DEPTH FLOOR MOUNTED TRAY  
 - (1) 20A, 120V T.L. RECEPTACLE  
 - (1) STD DEPTH ADJ SHELF

**COMPARTMENT D2 CONTAINS:**  
 - (1) STD DEPTH ADJ SHELF  
 - 1\"/>

**COMPARTMENT D3 CONTAINS:**  
 - (2) STD DEPTH ADJ SLIDE OUT TRAYS  
 - (1) STD DEPTH FLOOR MOUNTED TRAY  
 - (1) 10 GALLON DEF FLUID TANK  
 - (1) STD DEPTH ADJ SHELF

**COMPARTMENT D4 CONTAINS:**  
 - (1) STD DEPTH FLOOR MOUNTED TRAY  
 - (1) STD DEPTH ADJ SHELF  
 - (1) VERTICAL COMPARTMENT DIVIDER  
 - (1) 20A, 120V T.L. RECEPTACLE  
 - (1) SCBA BRACKET WITH TRACKS



**NOTE**  
 DIMENSIONS SHOWN ARE APPROXIMATE AND ARE SUBJECT TO MINOR DEVIATIONS AS MAY OCCUR OR BE NECESSARY IN CONSTRUCTION. MINOR DETAILS NOT SHOWN.

- NOTES:**
1. ONAN 25kW SINGLE PHASE PTO DRIVEN GENERATOR WITH SPLASH GUARD LOCATED BETWEEN THE FRAME RAILS
  2. ALUMINUM TREADPLATE SCUFFPLATE ON REAR OF ENGINE TUNNEL
  3. BRUSHED 5/8 SCUFFPLATES ON CAB DOOR JAMBS
  4. FLOOR IN CAB AND CREW CAB TO BE PADDED RUBBER
  5. NEWMAR EV-40 CHARGER LOCATED BEHIND DRIVER'S SEAT
  6. BATTERY CHARGE INDICATOR LOCATED ON DRIVER'S SEAT WITH BRACKET
  7. ALUMINUM TREADPLATE ON ALL BODY CORNERS
  8. (2) RECEIVER STYLE TIE DOWNS
  9. ALUMINUM TREADPLATE ON FLOORS OF ALL BODY COMPARTMENTS
  10. ALUMINUM TREADPLATE ON REAR FENDER PANELS
  11. ADDITIONAL LOUVERS IN EACH BODY COMPARTMENT
  12. PULL STRAPS ON ALL BODY ROLL-UP DOORS
  13. LED LIGHT STRIPS IN ALL BODY COMPARTMENTS AND WITH FRONT WINCH

MAXIMUM O.A.L. 37'-2"  
 MAXIMUM O.A.H. 10'-6"

REV	DATE	BY	CH	CHASSIS DATA
31JAN18	DHE	AZU	MAKE	PIERCE
08DEC17	ALZ	AZU	MODEL	AX8120
09OCT17	ALZ	AZU		

		JOB NO.	31749
		SCALE	DATE
TITLE	HEAVY DUTY RESCUE WALKIN	DRAWN BY	DHE
FOR	JERSEY CITY JERSEY CITY, NJ	CHECKED BY	AZU
DWG NO.	31749AD-SH1	SHEET SIZE	SHEET NO.
			1 OF 2