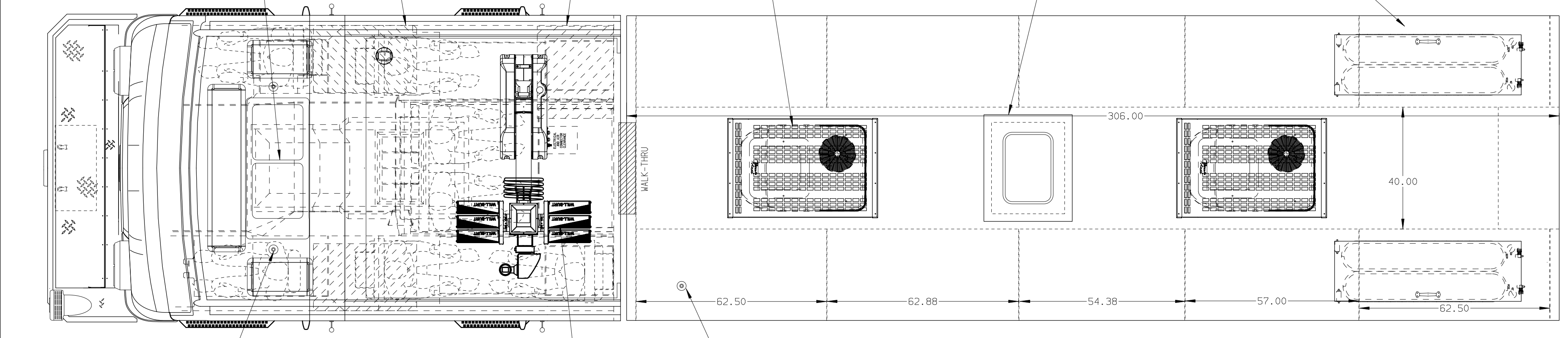
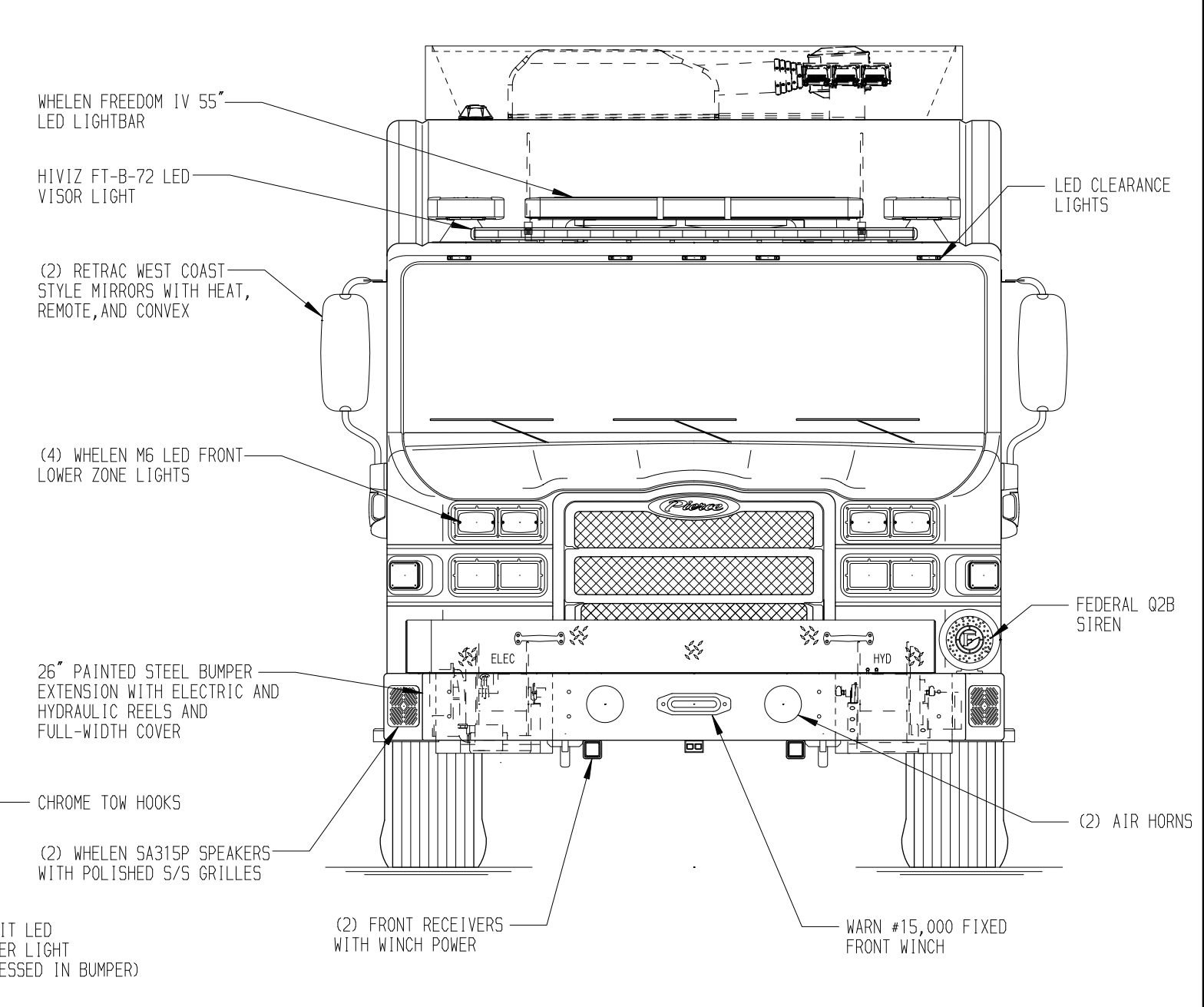
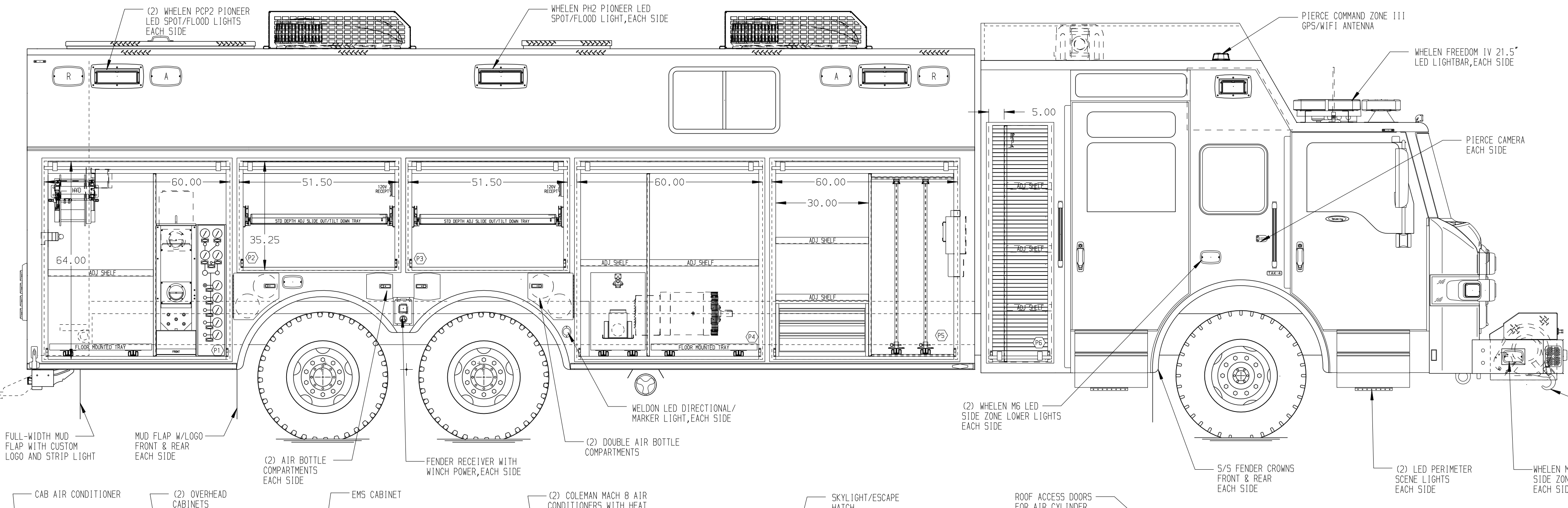
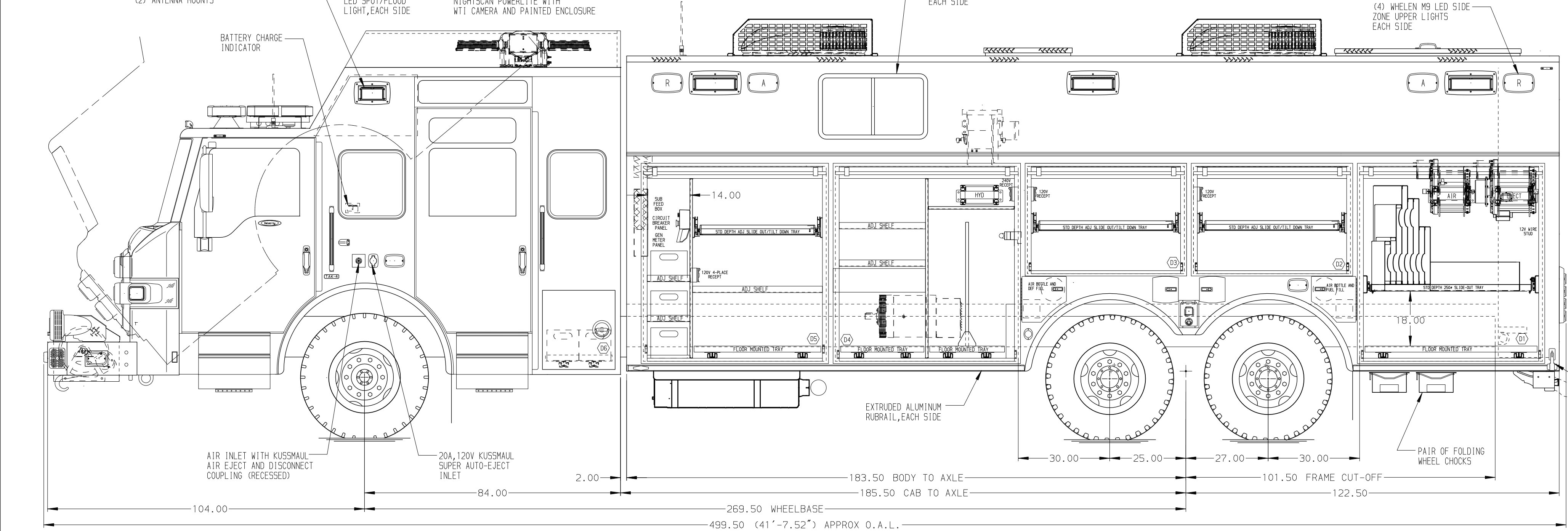
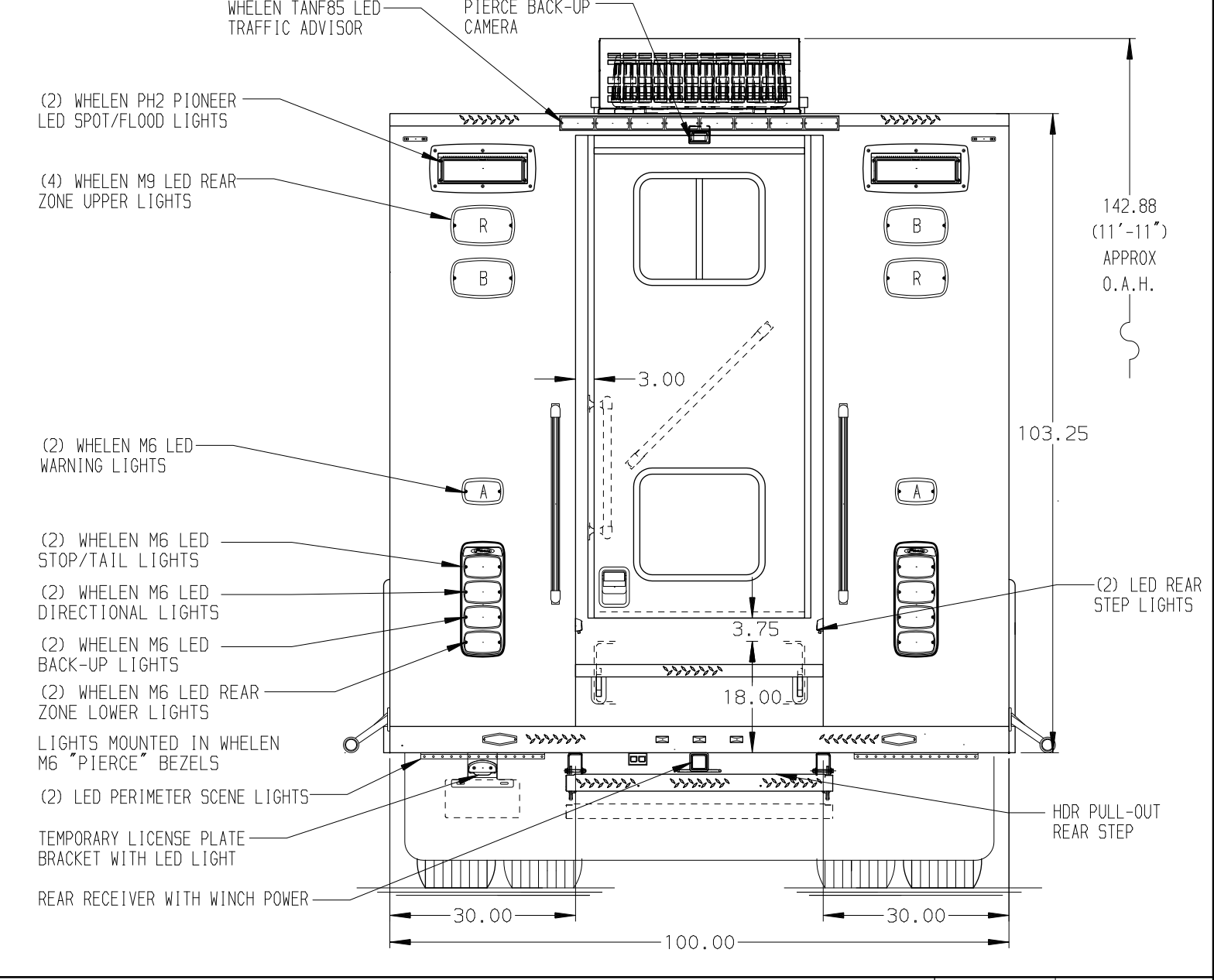


- PASSENGER'S SIDE COMPARTMENTS CONTAIN THE FOLLOWING:**
- COMPARTMENT P1 CONTAINS:**
 - (1) CASCADE SYSTEM CONTROL PANEL
 - (1) SPACESAVER 2-BOTTLE FILL ENCLOSURE
 - (1) VERTICAL COMPARTMENT DIVIDER
 - (1) STD DEPTH FLOOR MOUNTED TRAY
 - (1) HYDRAULIC REEL W/100' OF DUAL HOSE
 - (1) HYDRAULIC DUMP VALVE
 - (1) STD DEPTH ADJ SHELF
 - COMPARTMENT P2 CONTAINS:**
 - (1) STD DEPTH ADJ SLIDE OUT/TILT TRAY
 - (1) 15/20A, 120V DUPLEX RECEPTACLE
 - COMPARTMENT P3 CONTAINS:**
 - (1) STD DEPTH ADJ SLIDE OUT/TILT TRAY
 - (1) 15/20A, 120V DUPLEX RECEPTACLE
 - COMPARTMENT P4 CONTAINS:**
 - (1) SLIDE OUT OIL DRY HOPPER
 - (1) VERTICAL COMPARTMENT DIVIDER
 - (2) STD DEPTH ADJ SHELVES
 - (1) STD DEPTH FLOOR MOUNTED TRAY
 - COMPARTMENT P5 CONTAINS:**
 - (1) VERTICAL COMPARTMENT DIVIDER
 - (2) STD DEPTH ADJ SHELVES
 - (1) 3-DRAWER C-TECH CABINET
 - (1) RESERVOIR/FILTER ASSEMBLY FOR XRT-3 SYSTEM
 - COMPARTMENT P6 CONTAINS:**
 - (1) VERTICAL COMPARTMENT DIVIDER
 - (3) ADJUSTABLE SHELVES
 - (1) 20A, 120V DUPLEX RECEPTACLE



DRIVER'S SIDE COMPARTMENTS CONTAIN THE FOLLOWING:

- COMPARTMENT D1 CONTAINS:**
 - (1) STD DEPTH ADJ SLIDE OUT TRAY
 - (1) STD DEPTH FLOOR MOUNTED TRAY
 - (1) RACK FOR 9 AIR BAGS
 - (1) ELECTRIC CORD REEL WITH 200' OF 10/3 YELLOW CORD
 - (1) TOOL AIR REEL WITH 200' OF HOSE
- COMPARTMENT D2 CONTAINS:**
 - (1) STD DEPTH ADJ SLIDE OUT/TILT TRAY
 - (1) 15/20A, 120V DUPLEX RECEPTACLE
- COMPARTMENT D3 CONTAINS:**
 - (1) STD DEPTH ADJ SLIDE OUT/TILT TRAY
 - (1) 15/20A, 120V DUPLEX RECEPTACLE
- COMPARTMENT D4 CONTAINS:**
 - (1) VERTICAL COMPARTMENT DIVIDER
 - (2) STD DEPTH ADJ SHELVES
 - (1) STD DEPTH FLOOR MOUNTED TRAY
 - (1) STD DEPTH ADJ SLIDE OUT/TILT TRAY WITH ADJUSTABLE TOOLBOARD
 - (1) 30A, 240V 1-PL RECEPTACLE
 - (1) HYDRAULIC REEL W/100' OF DUAL HOSE
 - (1) HORIZONTAL PARTITION
 - (1) SUB FEED BOX
 - (1) NIGHT SCAN CONTROLLER
 - (1) KUSSMAUL 120V CHARGER
 - (1) 15/20A, 120V 4-PLACE RECEPTACLE
 - (1) SET OF JUMPER STUDS
- COMPARTMENT D5 CONTAINS:**
 - (1) VERTICAL COMPARTMENT DIVIDER
 - (3) STD DEPTH ADJ SHELVES
 - (1) STD DEPTH ADJ SLIDE OUT/TILT TRAY
 - (1) STD DEPTH FLOOR MOUNTED TRAY
 - (3) POLY TOOL BOXES
 - (1) CIRCUIT BREAKER PANEL
 - (1) GENERATOR METER PANEL
 - (1) SUB FEED BOX
 - (1) NIGHT SCAN CONTROLLER
 - (1) KUSSMAUL 120V CHARGER
 - (1) 15/20A, 120V 4-PLACE RECEPTACLE
 - (1) SET OF JUMPER STUDS
- COMPARTMENT D6 CONTAINS:**
 - (1) STD DEPTH FLOOR MOUNTED TRAY
 - (2) POLY TOOL BOXES



NOTE
DIMENSIONS SHOWN ARE APPROXIMATE AND ARE SUBJECT TO MINOR DEVIATIONS AS MAY OCCUR OR BE NECESSARY IN CONSTRUCTION. MINOR DETAILS NOT SHOWN.

- NOTES:**
- POLISHED S/S SCUFFPLATES ON CAB AND CREW CAB DOOR JAMBS
 - FLOOR IN CAB AND CREW CAB TO BE PADDED RUBBER
 - PIERCE DUAL LED LIGHT STRIPS LOCATED IN ALL EXTERIOR BODY COMPARTMENTS
 - ONAN 25KW SINGLE PHASE 310 DRIVEN GENERATOR WITH SPLASH GUARD LOCATED BETWEEN THE FRAME RAILS
 - 15/20A, 120V 4-PLACE RECEPTACLE LOCATED ON THE DRIVER'S SIDE OF THE ENGINE TUNNEL
 - XRT-3 HYDRAULIC POWER SYSTEM
 - S/S DRIP PANS FOR ALL EXTERIOR ROLL-UP DOORS
 - ELASTIC PULL STRAPS ON ALL EXTERIOR ROLL-UP DOORS
 - 15/20A, 120V DUPLEX RECEPTACLE IN EACH REAR FACING OVERHEAD CABINET

STAINLESS STEEL BODY
SIDE ROLL AND FRONTAL IMPACT PROTECTION

CLEAR DOOR WIDTH KEY		CHASSIS DATA	
AMOR ROLL UP DOORS:	-2 1/4"	DATE	25JUN18
CURTILE ROLL UP DOORS:	-2 1/2"	BY	DHE
PIERCE DOUBLE LAP DOORS:	-4 1/4"	CH	AZU
PIERCE LIFT-UP LAP DOORS:	-1 1/2"	DATE	26APR18
(EX: 60" F-F - 2 1/4" = 57 3/4" CLEAR)		DATE	28MAR18
(F-F) = FRAME TO FRAME		BY	DHE
		CH	AZU
		DATE	28MAR18
		BY	DHE
		CH	AZU
		DATE	28MAR18
		BY	DHE
		CH	AZU

Pierce MANUFACTURING INC.

JOB NO. 32298
SCALE 1:24
DATE
DRAWN BY DHE
15MAR18
CHECKED BY AZU
15MAR18
SHEET SIZE D
SHEET NO. 1 OF 1

TITLE HEAVY DUTY RESCUE WALKIN
FOR LANSING FIRE DISTRICT LANSING, NY
DWC NO. 32298AD-SH1

JOE SHOEMAKER