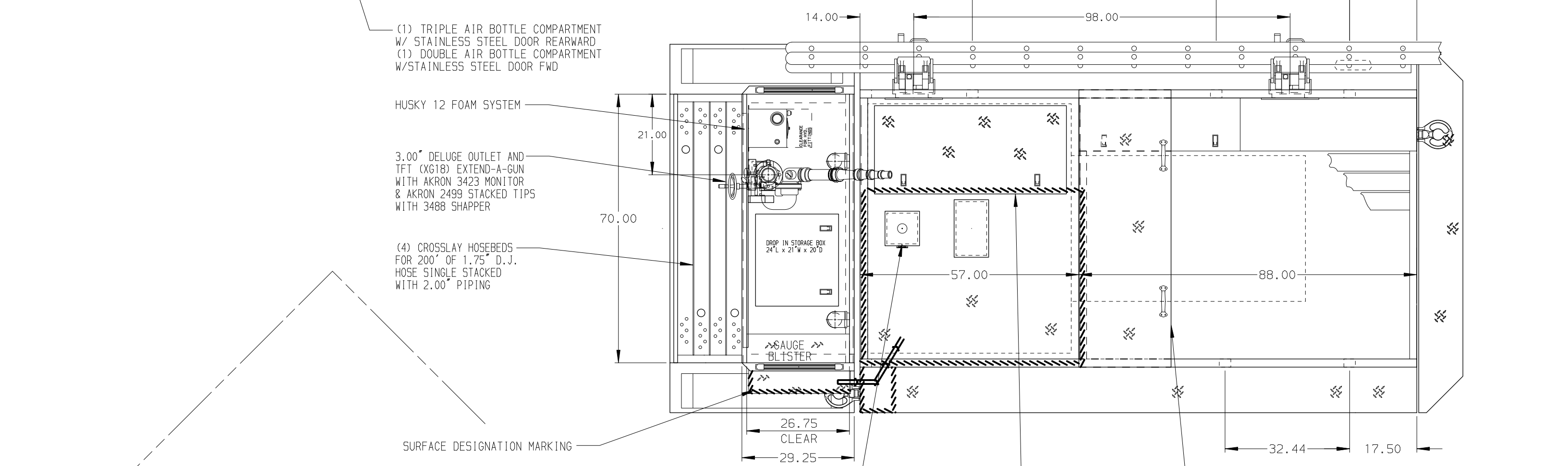
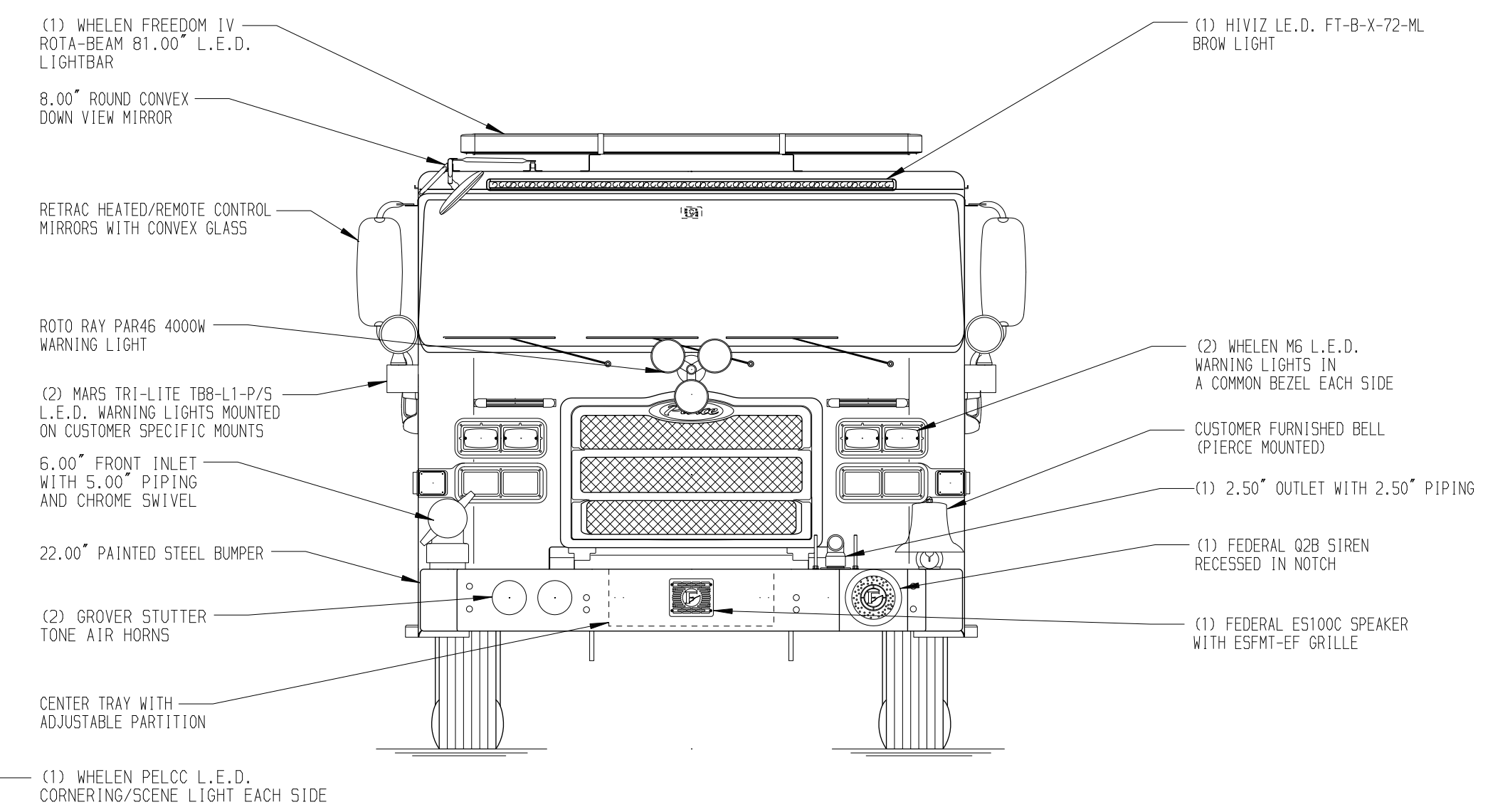
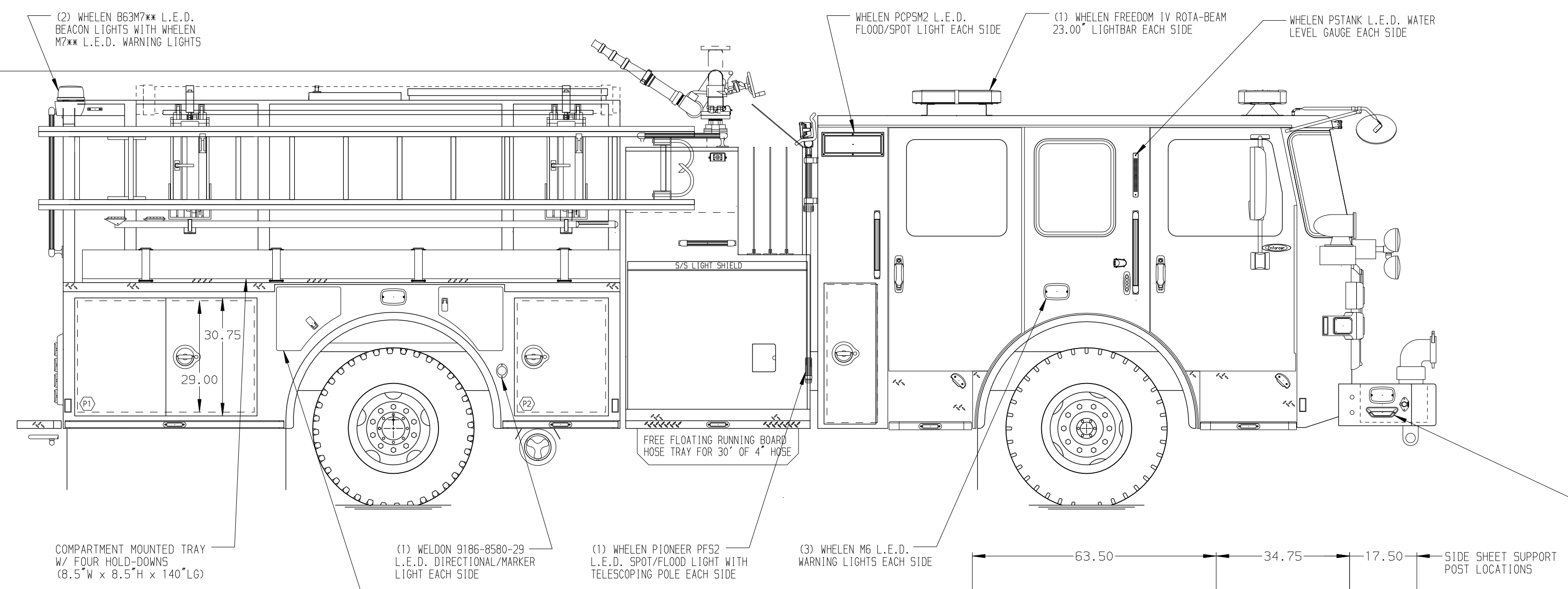
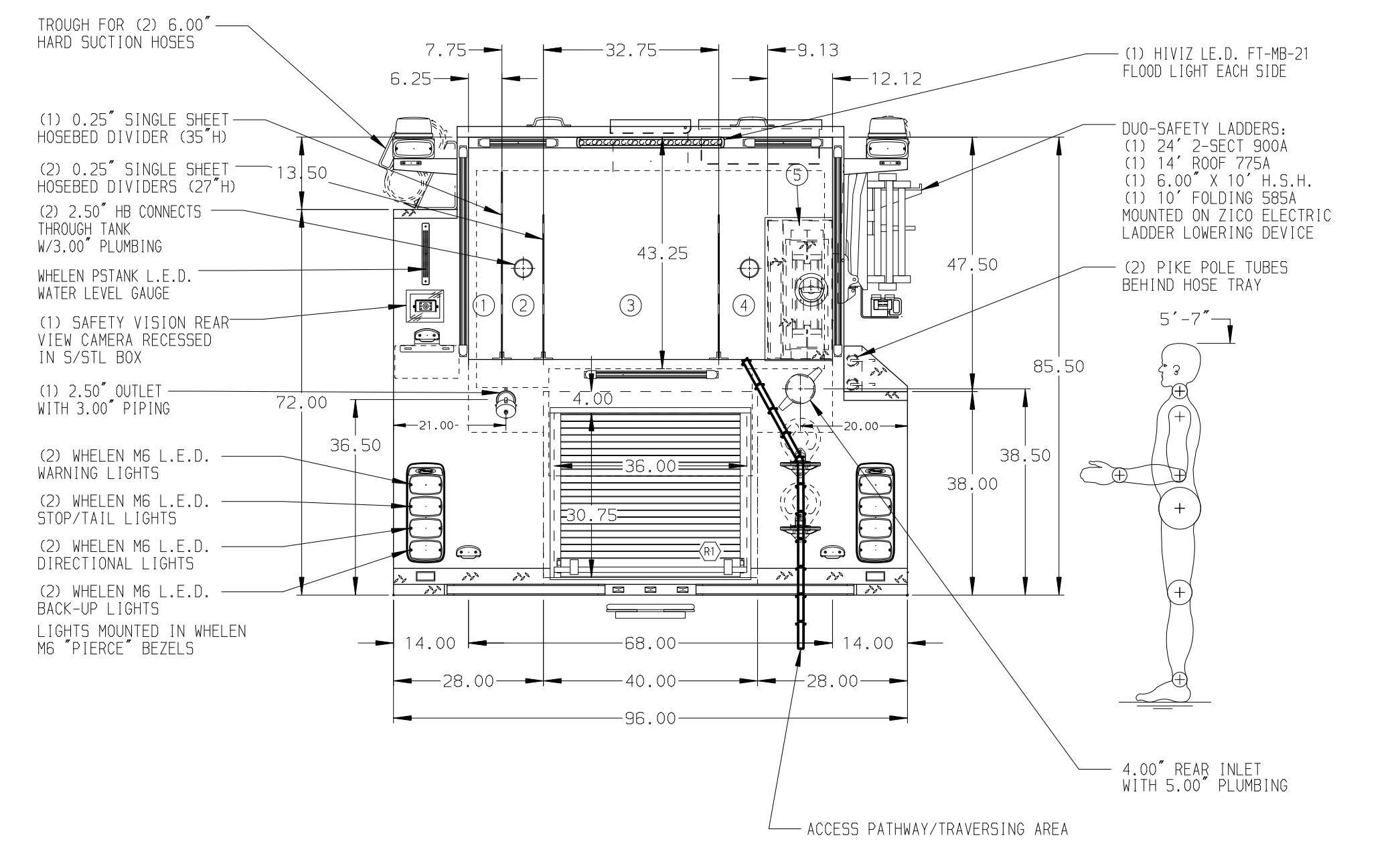
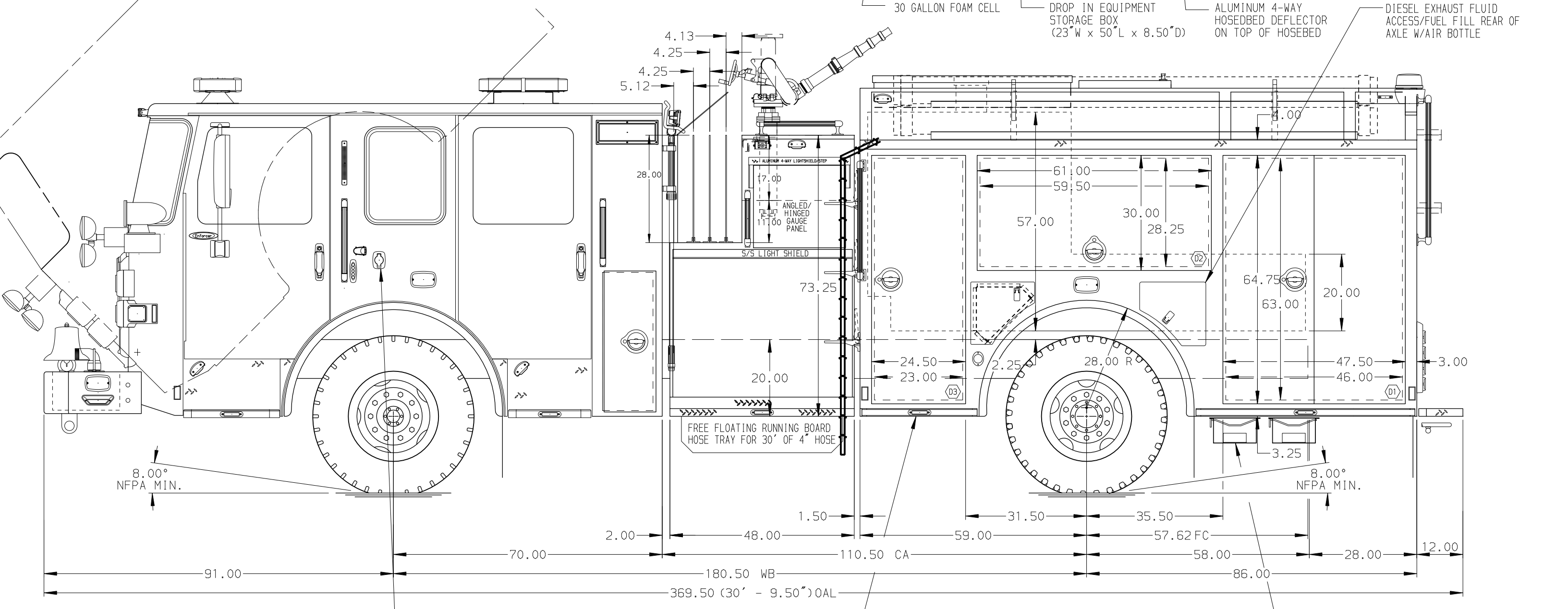


117.00  
(9'-9")  
APPROX  
O.A.H.



- HOSEBED CAPACITIES
- ① - 400' OF 3.00" D.J. POLY HOSE
  - ② - 400' OF 2.00" D.J. POLY HOSE
  - ③ - 1200' OF 4.00" D.J. POLY HOSE
  - ④ - 250' OF 2.50" D.J. POLY HOSE
  - ⑤ - (1) 2" x 18" x 72" BACKBOARD  
(1) M1-13 WERNER TELESCOPING MULTI-POSITION LADDER (8.0' T x 22.25" W x 44.50" LG) WITH TREADPLATE DOOR & D-HANDLE



ALUMINUM BODY

MAXIMUM O.A.H. 123"

SIDE ROLL AND FRONTAL IMPACT PROTECTION

NOTE  
DIMENSIONS SHOWN ARE APPROXIMATE AND ARE SUBJECT TO MINOR DEVIATIONS AS MAY OCCUR OR BE NECESSARY IN CONSTRUCTION. MINOR DETAILS NOT SHOWN.

- 1. RUD AUTOMATIC TIRE CHAINS TO BE PROVIDED AT REAR
- 2. AIR INLET/OUTLET WITH DISCONNECT FITTING LOCATED ON DS PUMP PANEL
- 3. VOGEL LUBE SYSTEM PUMP LOCATED PER SHOP ORDER
- 4. BATTERY CHARGER LOCATED BEHIND DRIVER'S SEAT
- 5. BATTERY CHARGE INDICATOR LOCATED ON D.S. SEAT RISER
- 6. AMOR LUMBAR H20 AY-9500-040 40.00" L.E.D. HOSE BED LIGHTS
- 7. REVERSED HINGED DOOR ON COMPARTMENT D3
- 8. ONE FULL WIDTH/DEPTH PAINTED ADJUSTABLE SHELF IN COMPARTMENT D3, P1, P2, R1, THREE IN D1
- 9. ONE ADJUSTABLE SLIDE-OUT TRAY IN COMPARTMENT D3
- 10. PARTITION BETWEEN COMPARTMENTS D1/R1 AND P1/R1
- 11. ALUMINUM PEGBOARD WITH TRACKS ON THE REAR WALL OF COMPARTMENT D1, D2 & D3

REV	DATE	BY	CH	ENFORCER
22AUG16	AMI	TWH		
29JUL16	AMI	TWH		

		JOB NO.	30156
		SCALE	DATE
CHASSIS DATA MAKE MODEL ENFORCER	TITLE	1500-D-750P W/30G FOAM CELL, 40G FOAM TANK, DELUGE 145" SPECIAL BODY, (3)HSH, (4)XLAYS, NY STYLE TANK	
	FOR	LEESBURG VOLUNTEER FIRE COMPANY, INC LEESBURG, VIRGINIA	
	DWG NO.	30156AD	
	DRAWN BY	AMI	31MAY16
	CHECKED BY	WKL	31MAY16
	SHEET SIZE	D	SHEET NO. 1 OF 1