

(1) WHEEL HO LED MARKING LIGHT EACH SIDE

(2) WHEEL PIONEER LIGHTS POSING EACH SIDE

(1) CROSS-LAY HOSEBAY WITH POLY TRAY FOR 200' OF 2.50" HOSE

CAB AIR CONDITIONER WITH PAINTED COVER

(1) WHEEL PIONEER PFP2 12V L.E.D. VISION LIGHT

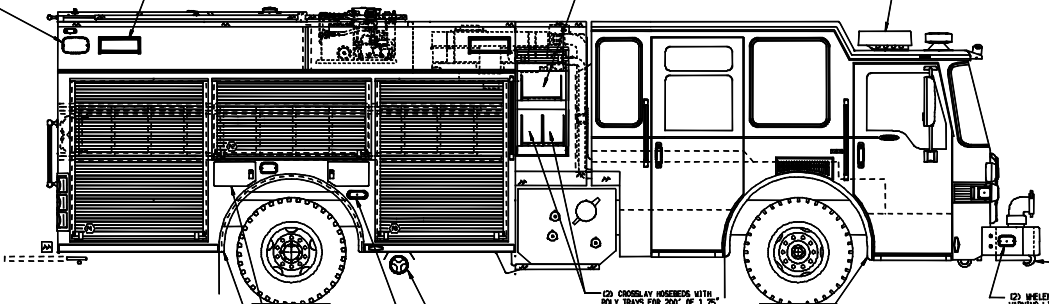
WHEEL FREEDOM LIGHTBAR 172.00" LONG W/MP/TCOH

REAR HEATED SEIMATE CONTROL HEADS WITH CONVEX SECTION

(2) WHEEL HO L.E.D. MARKING LIGHTS

(1) FEDERAL QCB SIREN

(1) CUBE 3 P8100C SPEAKER



6.00" FRONT INLET WITH 3.00" PYLONE AND DRIVE SHAFT

CHROME TOW HOOKS

(2) DRIVER AIR HORNS

(1) TRUCK-LITE SD1152 L.E.D. DIRECTIONAL/WORKER LIGHT EACH SIDE

EXHAUST MODIFIED FOR REDUCING SYSTEM

(2) CROSS-LAY HOSEBAYS WITH POLY TRAYS FOR 200' OF 1.75" HOSE

30 BALLON FWH CELL

(2) WHEEL HO L.E.D. MARKING LIGHTS EACH SIDE

(1) DOUBLE AIR BOTTLE COMPARTMENTS OR (2) DOUBLE AIR BOTTLE COMPARTMENT EACH WITH PAINTED DOORS AND U-SHAPED INSERTS

STAINLESS STEEL FENDER GRINGS

77.50 15.00 137.50 86.50 38.00 58.50

HOSEBAY CAPACITIES  
 (1) 200' OF 5.00" D.I.J. HOSE  
 (2) 400' OF 2.50" D.I.J. HOSE  
 (3) 400' OF 2.50" D.I.J. HOSE

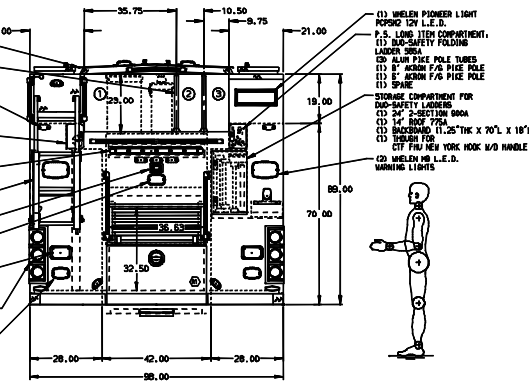
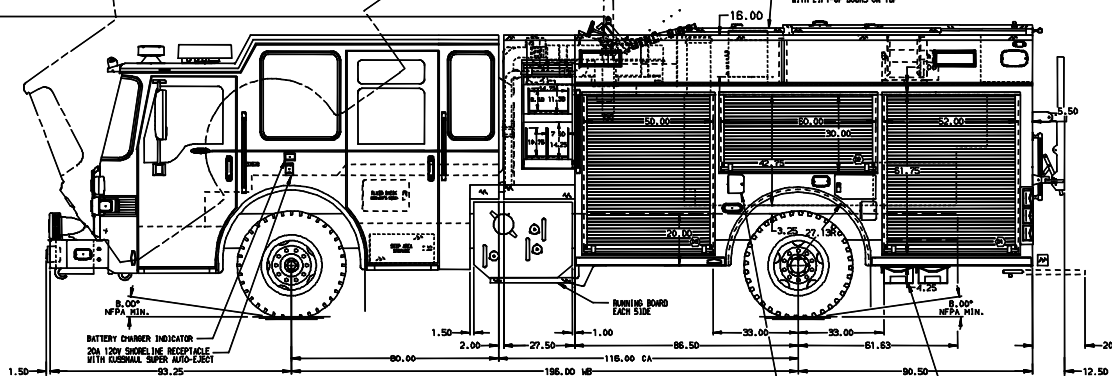
PAINTED 3-PIECE BUMPER

3.00" RELEASE OUTLET WITH WASK FORCE TIPS EXITS-A-CORN 12-18 AND X-TRIE MOUNTING PACKAGE

HARRISON 3AM NEW HYDRAULIC GENERATOR

HATCH COMPARTMENT EACH SIDE WITH LIFT-UP DOORS ON TOP

119.00 89"-11" APPROX. O.A.H.



ALUMINUM BODY MAXIMUM O.A.H. 119.00"

SIDE ROLL & FRONTAL IMPACT PROTECTION

PIERCE MANUFACTURING INC. JOB NO. 28070 SCALE 1:24 DATE

**NOTE**  
 DIMENSIONS SHOWN ARE APPROXIMATE AND ARE SUBJECT TO MINOR DEVIATIONS AS MAY OCCUR OR BE NECESSARY IN CONSTRUCTION.  
 MINOR DETAILS NOT SHOWN.

1. MOUNTING BASES FOR ANTENNAS LOCATED PER SHOP ORDER
2. BATTERY COVER LOCATED BEHIND DRIVER SEAT
3. RESTRICTED SCENE LIGHTS LOCATED PER SHOP ORDER
4. AIR INLET LOCATED IN DRIVER SIDE STOP BELT OF CAB
5. FENCE L.E.D. COMPARTMENT DUAL LIGHT STRIPS LOCATED PER SHOP ORDER
6. HO INLET LOCATED IN DRIVER SIDE STOP BELT OF CAB
7. ONE ADJUSTABLE FULL WIDTH/FULL DEPTH STRIP LOCATED IN COMPARTMENT P2, P3 & P4; TWO IN DR & DB; THREE IN P1
8. ONE ADJUSTABLE FULL WIDTH/FULL DEPTH STRIP IN COMPARTMENT D1
9. ONE SHIM-O-UT ALUMINUM TOOL BOARD IN COMPARTMENT D2
10. ELECTRIC HEATER IN COMPARTMENT P1

11. ONE VERTICAL DUAL-18 PARTITION BETWEEN COMPARTMENTS D1-D1 & P1-P1
12. ONE ADJUSTABLE 54 IN-HGT PAINTED SHELF IN COMPARTMENT D3
13. ALUMINUM TOOL BOARD W/TRUCK OR REAR WALL OF COMPARTMENT P3
14. 1.00 IN COMPRESSED AIR FAN SYSTEM WITH GASKET RESERVOIR FOR HEUSKY 12 FAN SYSTEM
15. CIRCUIT BREAKER PANEL IN COMPARTMENT D3
16. ONE 500V ELECTRIC CORD AND CORD REEL 500V-15-10 LOCATED IN DB HATCH COMPARTMENT ABOVE D1 WITH 200' OF 10/3 CABLE
17. ONE 100V BATTERY RECEPTACLE LOCATED IN COMPARTMENTS D1, P1, P2, AND FORWARD FACTING EMS COMPARTMENT
18. ONE 120V TIGHT LOCK RECEPTACLE IN COMPARTMENT D1
19. 80 AMP BREAKER BOX LOCATED IN COMPARTMENT D3

20. ONE 120V 6-PLACE RECEPTACLE STRIP LOCATED IN CAB

REV	DATE	BY	CHK	DASH	CF
25A014	AMT	CHR			
17A014	AMT	CHR			
08A014	AMT	BRH			

CHASSIS DATA		TITLE	JOB NO.
TITLE	1500-D-650P W/30 GAL. FOAM CELL, 177" FH & FD PUC (3) XLAJS, LADDERS THRU BODY, GENERATOR, CAPS	28070	DATE
FOR	CITY OF LITTLETON, LITTLETON, COLORADO	DRAWN BY	23JUN14
DWG NO.	28070AD	CHECKED BY	26JUN14
		SHEET SIZE	1 of 1