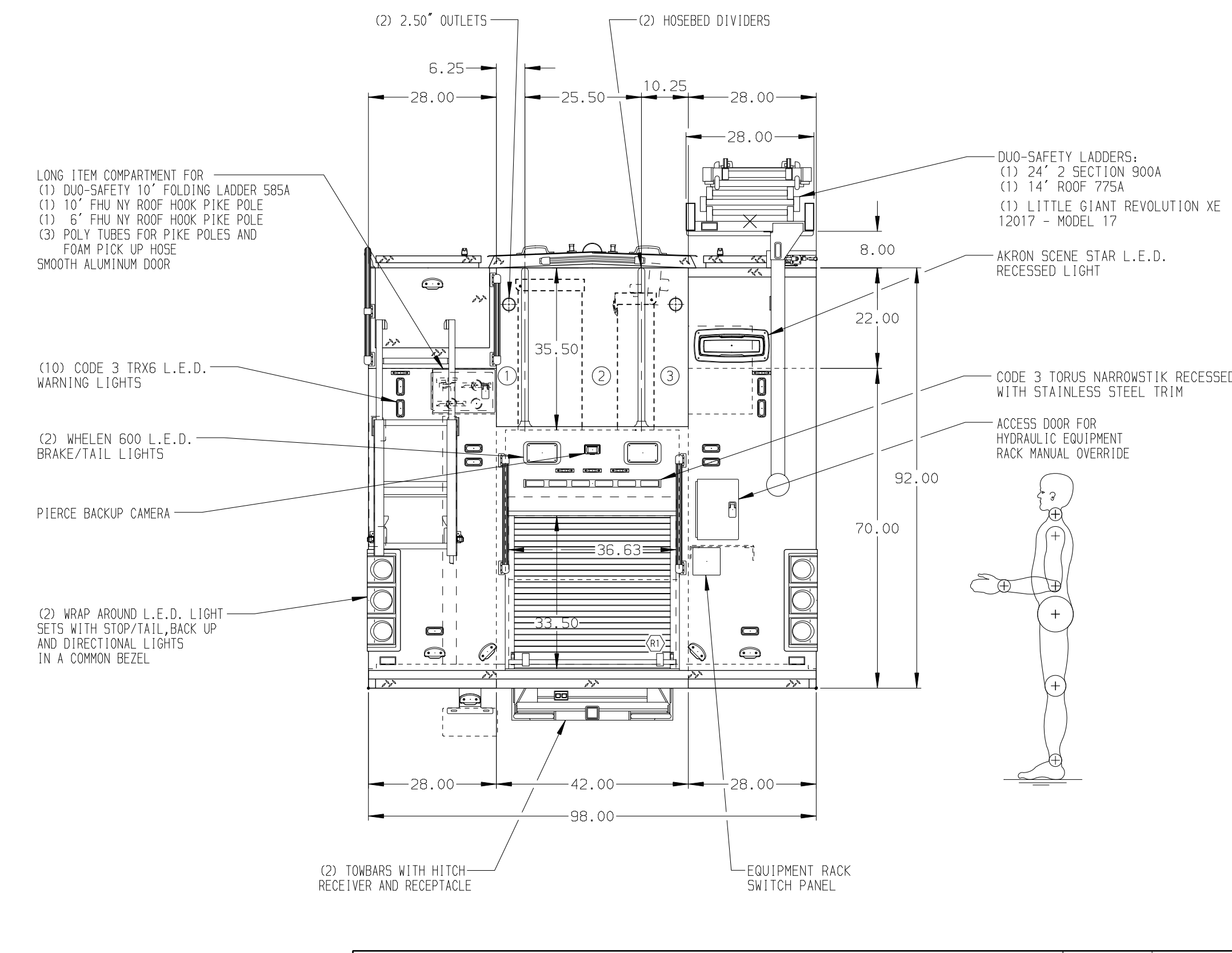
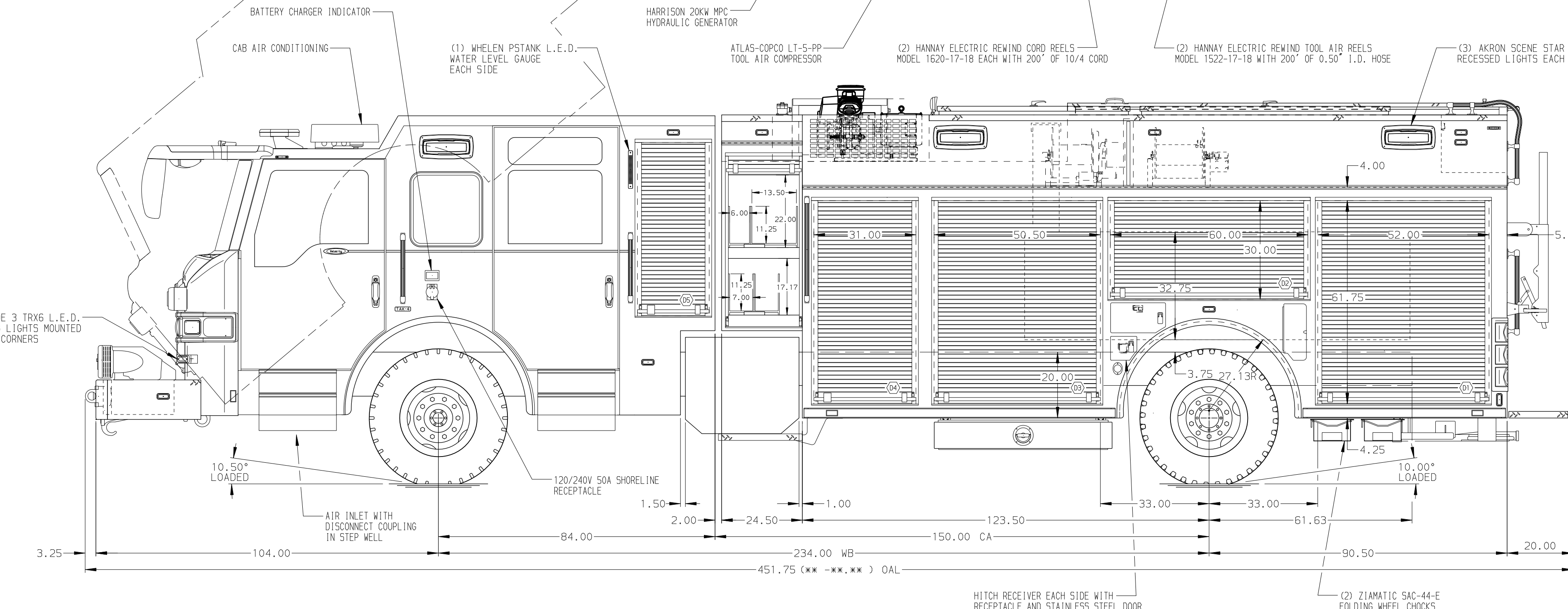
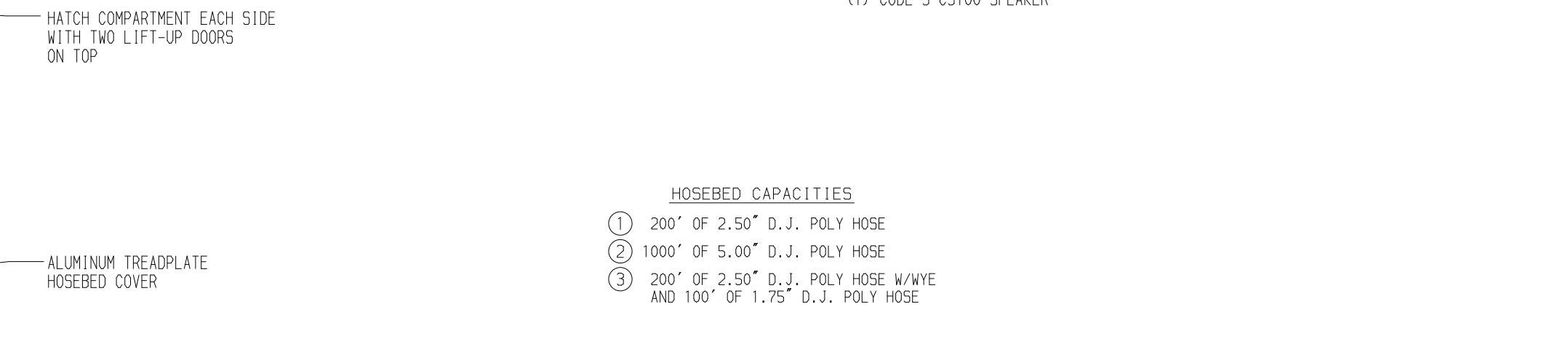
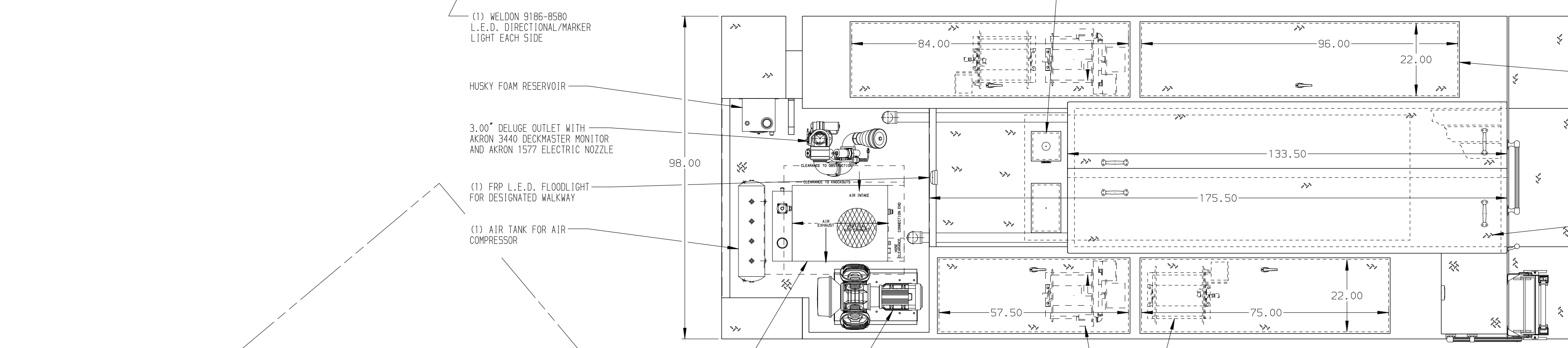


- HOSEBED CAPACITIES**
- ① 200' OF 2.50" D.J. POLY HOSE
  - ② 1000' OF 5.00" D.J. POLY HOSE
  - ③ 200' OF 2.50" D.J. POLY HOSE W/WYE AND 100' OF 1.75" D.J. POLY HOSE



ALUMINUM BODY      MAXIMUM O.A.H. 138.00"      SIDE ROLL AND FRONTAL IMPACT PROTECTION

**NOTE**  
DIMENSIONS SHOWN ARE APPROXIMATE AND ARE SUBJECT TO MINOR DEVIATIONS AS MAY OCCUR OR BE NECESSARY IN CONSTRUCTION. MINOR DETAILS NOT SHOWN.

1. ONSPOT AUTOMATIC TIRE CHAINS TO BE PROVIDED AT REAR
2. BATTERY CHARGER LOCATED BEHIND DRIVER'S SEAT
3. CIRCUIT BREAKER AND SUB-FEED PANELS IN COMPARTMENT D3
4. 12V L.E.D. 63.00" LIGHT STRIP ON THE FRONT OF THE HOSE BED
5. FOUR ADJUSTABLE FULL WIDTH/FULL DEPTH SHELVES - ONE IN COMPARTMENT D2 AND THREE IN P4
6. ONE PAINTED ADJUSTABLE TILTING SLIDE-OUT TRAY IN COMPARTMENTS D3 AND P3
7. 12V ELECTRIC ROAD PRO HEATER IN COMPARTMENT P4
8. TWO SWING-OUT ALUMINUM TOOL BOARDS IN COMPARTMENT P2
9. SEVEN ALUMINUM SLIDE-OUT TOOL BOARDS - FOUR IN COMPARTMENT D1 AND THREE IN P1
10. ALUMINUM PEGBOARD WITH TRACKS ON THE REAR WALL OF COMPARTMENT P2
11. FLOOR MOUNTED SLIDE-OUT TRAY IN COMPARTMENTS D3 AND P3
12. FULL WIDTH BLISTER ABOVE COMPARTMENT P1

REV	DATE	BY	CH	VELOCITY
31AUG16	BST	PJP	MAKE	
28JUL16	JRO	PJP	PIERCE	
01JUN16	AMI	CDU	MODEL	

<b>PIERCE MANUFACTURING INC.</b>	JOB NO.	30000
	SCALE	1:24
<b>TITLE</b> 1500-D-500 WATER/40 FOAM, 214 RESCUE BODY, CROSSLAYS LADDER RACK, HATCH COMPARTMENTS, DELUGE, GENERATOR	DRAWN BY	JRO
	CHECKED BY	CDU
<b>FOR</b> LONGMONT FIRE DEPARTMENT LONGMONT, COLORADO	SHEET SIZE	D
	SHEET NO.	1 OF 1
<b>DWG NO.</b> 30000AD		