

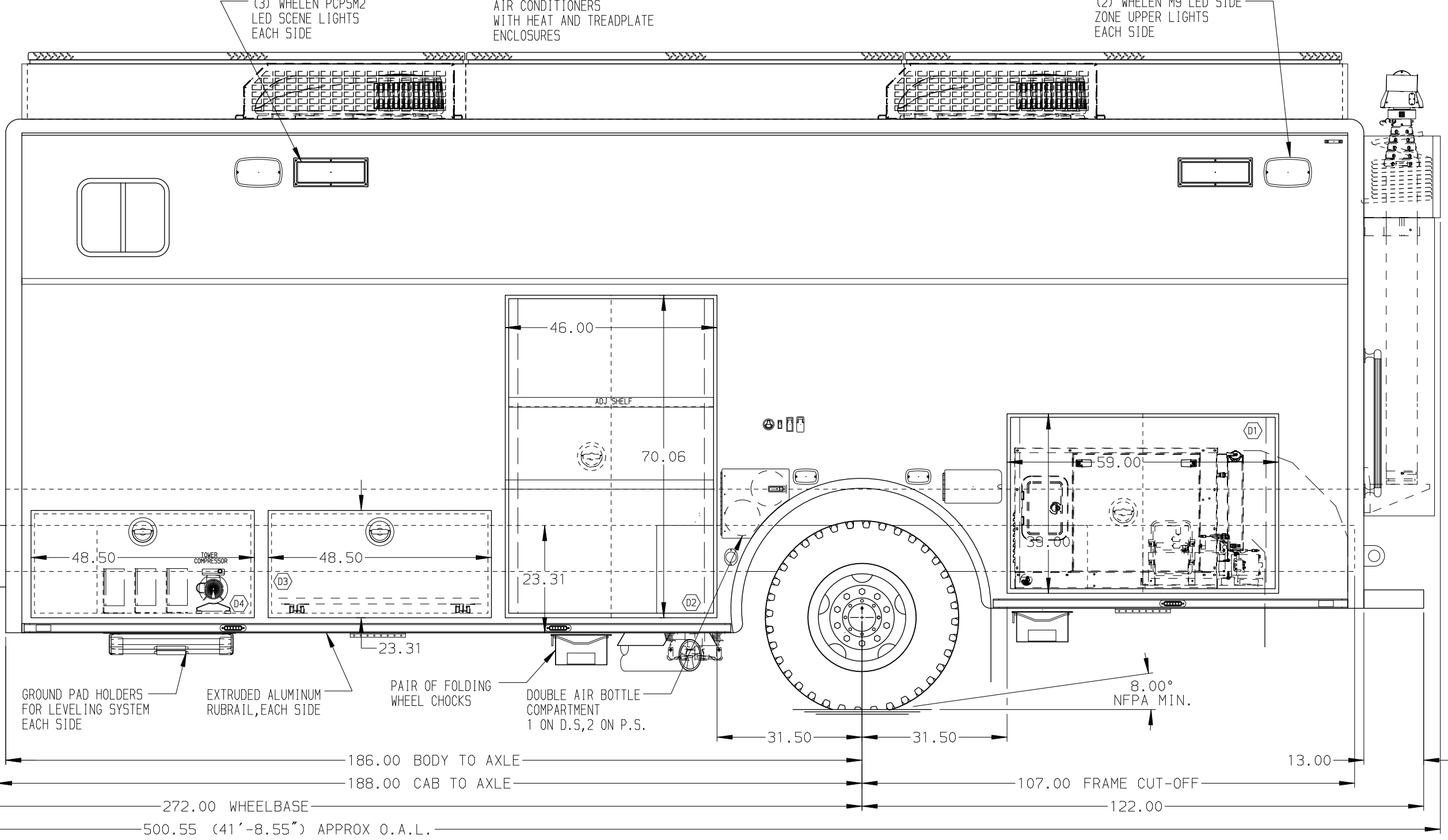
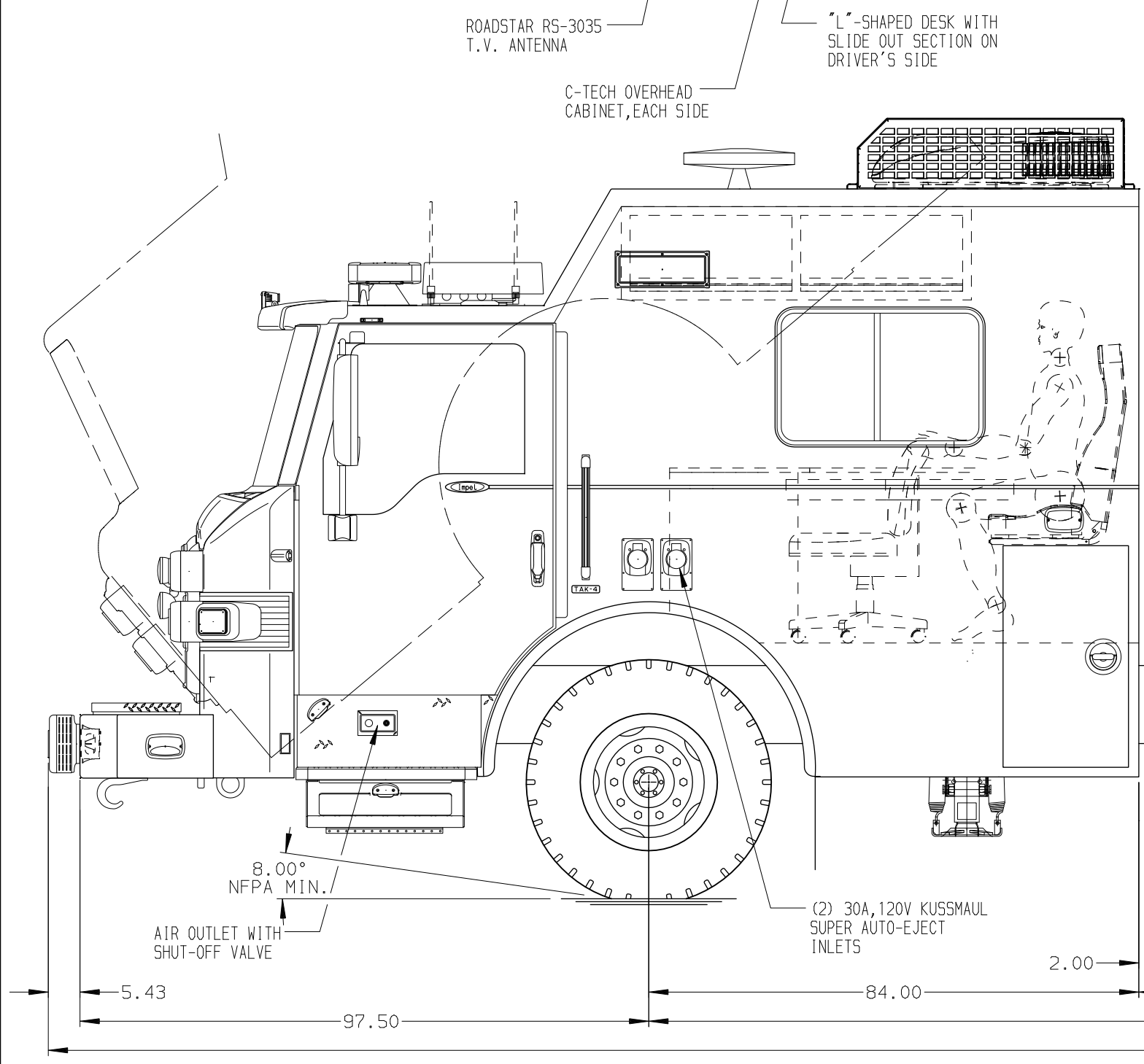
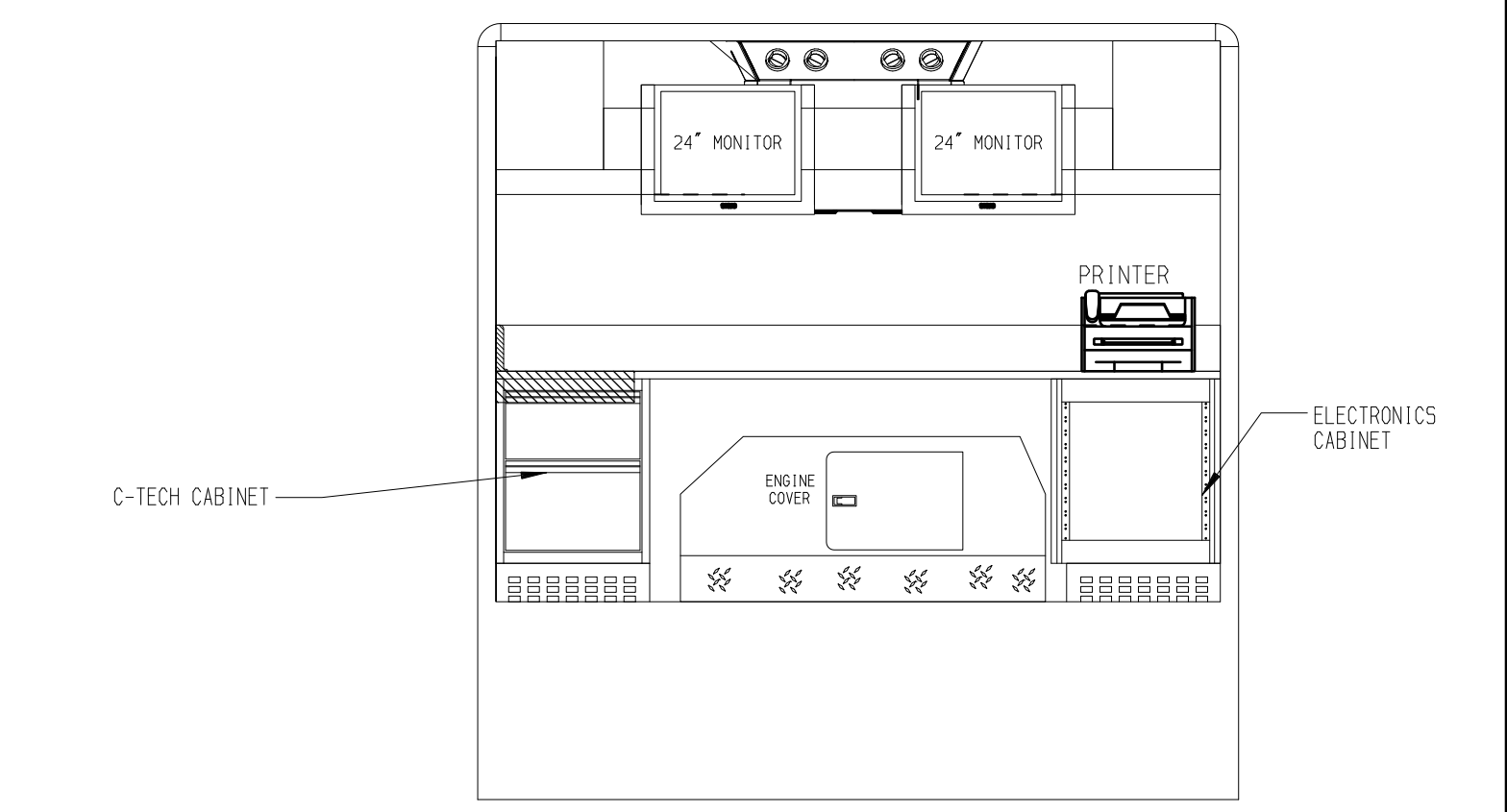
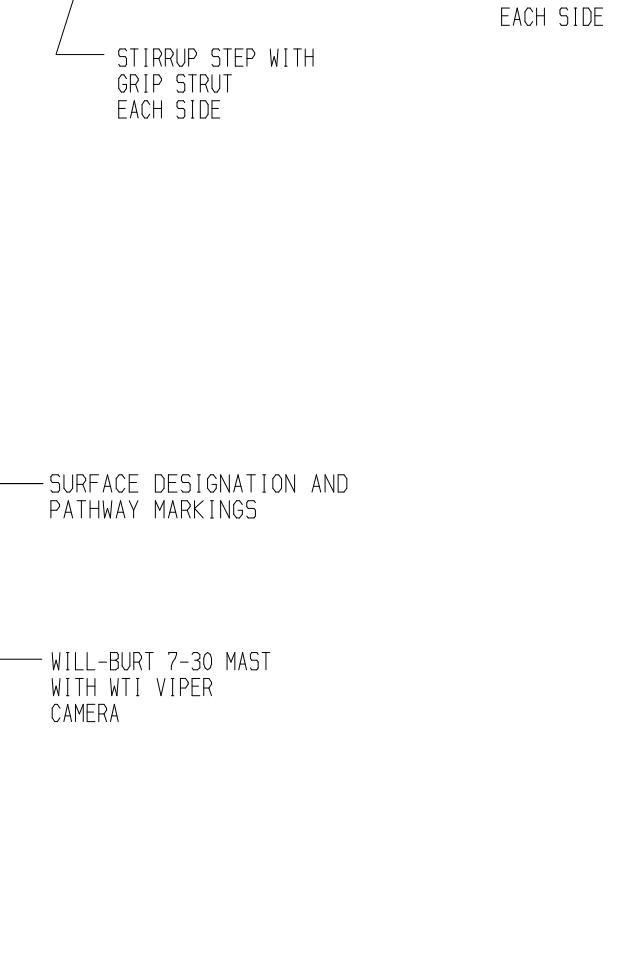
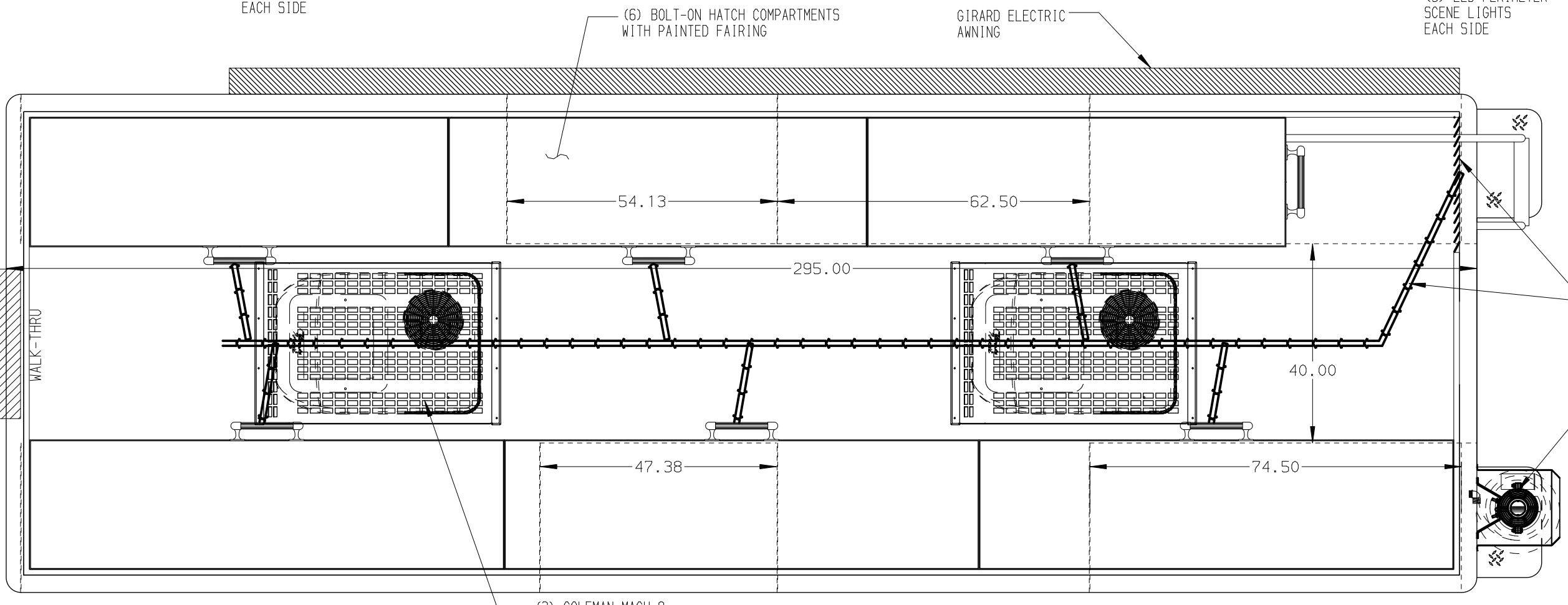
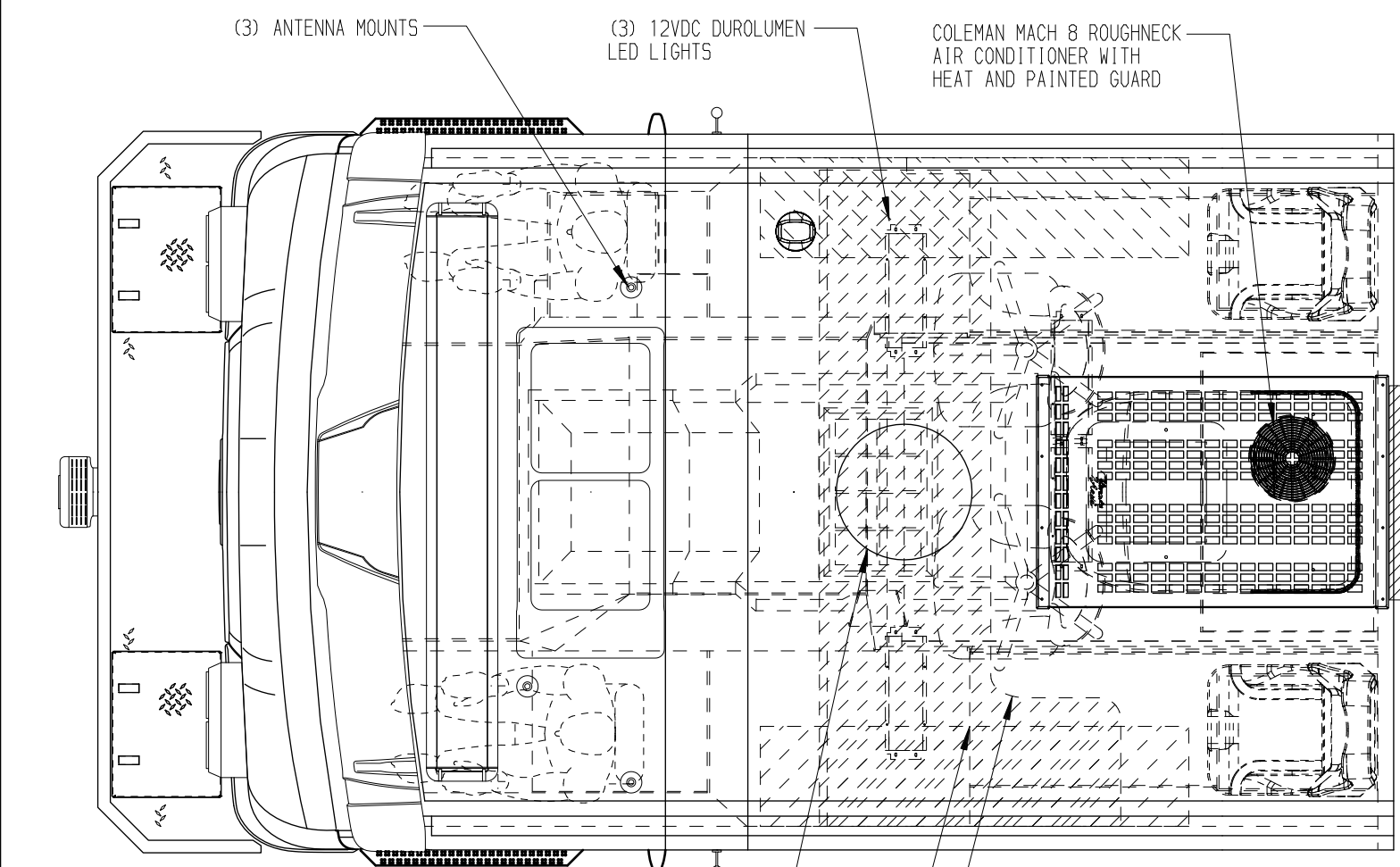
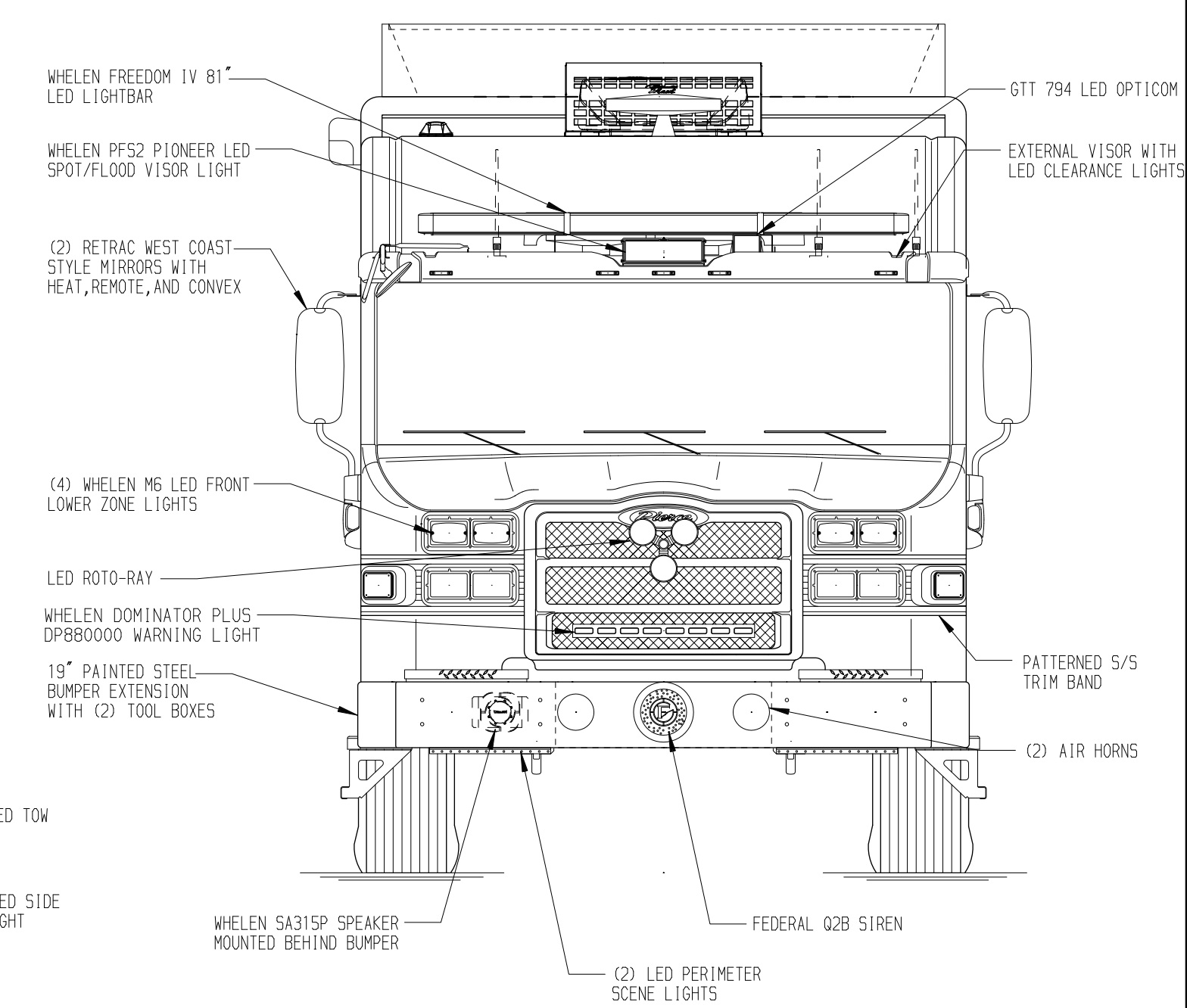
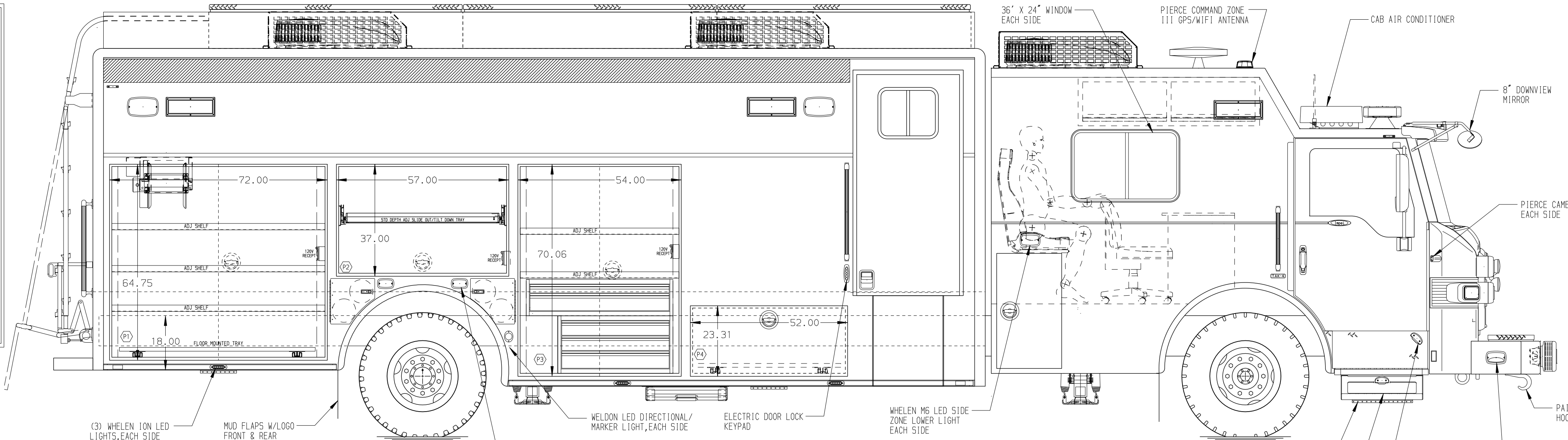
**PASSENGER'S SIDE COMPARTMENTS CONTAIN THE FOLLOWING:**

COMPARTMENT P1 CONTAINS:  
 - (3) STD DEPTH ADJ SHELVES  
 - (1) STD DEPTH FLOOR MTD TRAY  
 - (1) ELECTRIC CORD REEL WITH 200' OF 10/3 YELLOW CORD  
 - (1) 20A, 120V DUPLEX RECEPTACLE

COMPARTMENT P2 CONTAINS:  
 - (1) STD DEPTH ADJ SLIDE OUT/TILT TRAY  
 - (1) 20A, 120V DUPLEX RECEPTACLE

COMPARTMENT P3 CONTAINS:  
 - (2) STD DEPTH ADJ SHELVES  
 - (1) 20A, 120V DUPLEX RECEPTACLE  
 - (1) 2-DRAWER C-TECH CABINET  
 - (1) 3-DRAWER C-TECH CABINET

COMPARTMENT P4 CONTAINS:  
 - (1) STD DEPTH FLOOR MTD TRAY



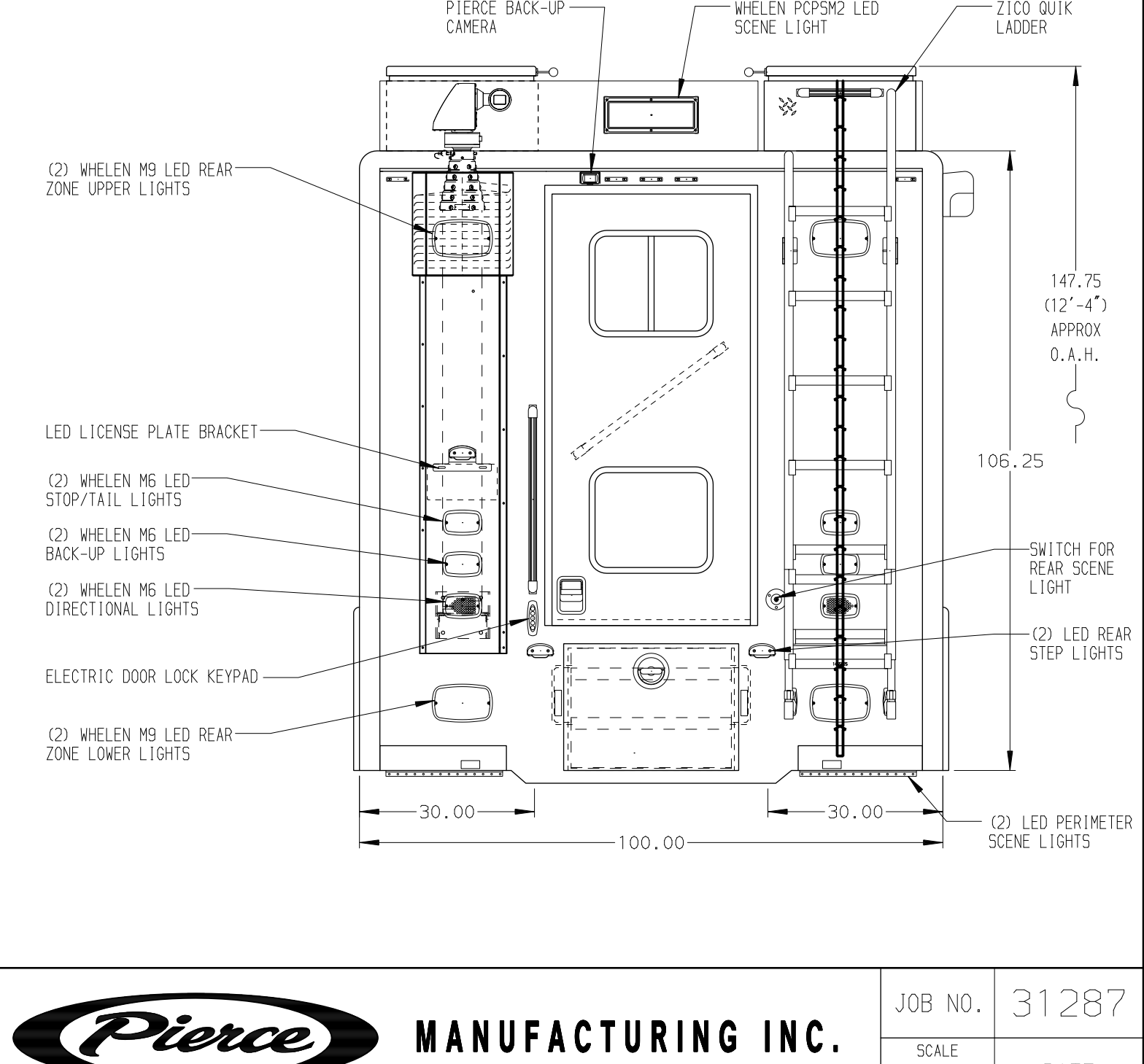
**DRIVER'S SIDE COMPARTMENTS CONTAIN THE FOLLOWING:**

COMPARTMENT D1 CONTAINS:  
 - (1) POWER TECH PTI-2051-T4F DIESEL GENERATOR

COMPARTMENT D2 CONTAINS:  
 - (1) HORIZONTAL FLOOR EXTENSION  
 - (1) STD DEPTH ADJ SHELF

COMPARTMENT D3 CONTAINS:  
 - (1) FLOOR MOUNTED TRAY

COMPARTMENT D4 CONTAINS:  
 - (3) PROGRESSIVE DYNAMICS PD2180 CHARGERS/POWER CONVERTERS  
 - (1) CAMERA MAST AIR COMPRESSOR



**NOTE**  
 DIMENSIONS SHOWN ARE APPROXIMATE AND ARE SUBJECT TO MINOR DEVIATIONS AS MAY OCCUR OR BE NECESSARY IN CONSTRUCTION. MINOR DETAILS NOT SHOWN.

**NOTES:**

- ONSPOT AUTOMATIC TIRE CHAINS
- POLISHED S/S SCUFFPLATES ON CAB DOOR JAMBS
- ROSCO DV231 INTERIOR AND EXTERIOR CAMERA MOUNTED ON WINDSHIELD
- (2) CASTER BASED OFFICE CHAIRS LOCATED IN THE COMMAND CAB
- HIGH LEVELIZE AUTOMATIC LEVELING SYSTEM
- AMOR DUAL LED LIGHT STRIPS IN ALL BODY AND HATCH COMPARTMENTS

**NOTE:**  
 LAP DOORS HAVE BEEN SHOWN IN HIDDEN LINES TO CLEARLY IDENTIFY THE EQUIPMENT IN EACH COMPARTMENT. DASHED LINES ON SIDES ARE DOORS IN OPEN POSITION

**CLEAR DOOR WIDTH KEY**

AMOR ROLL UP DOORS:	-2 1/4"	310CT17	DHE	CDK	CHASSIS DATA
CORTITE ROLL UP DOORS:	-2 1/2"	230CT17	DHE	CDK	MAKE
PIERCE DOUBLE LAP DOORS:	-4 1/4"	31AUG17	DHE	CDK	PIERCE
PIERCE LIFT-UP LAP DOORS:	-1 1/2"	20JUL17	DHE	CDK	MODEL
(EX: 60" F-F - 2 1/4" = 57 3/4" CLEAR) (F-F) = FRAME TO FRAME		REV	DATE	BY	CH

IMFR8420

TITLE	HEAVY DUTY RESCUE WALKIN
FOR	LOUDOUN COUNTY LOUDOUN, VA
DWG NO.	31287AD-SH1

**Pierce MANUFACTURING INC.**

JOB NO. 31287

SCALE 1:24 DATE

DRAWN BY DHE 10JUL17

CHECKED BY CDK 12JUL17

SHEET SIZE D SHEET NO. 1 OF 1

(SIDE ROLL AND FRONTAL IMPACT PROTECTION)