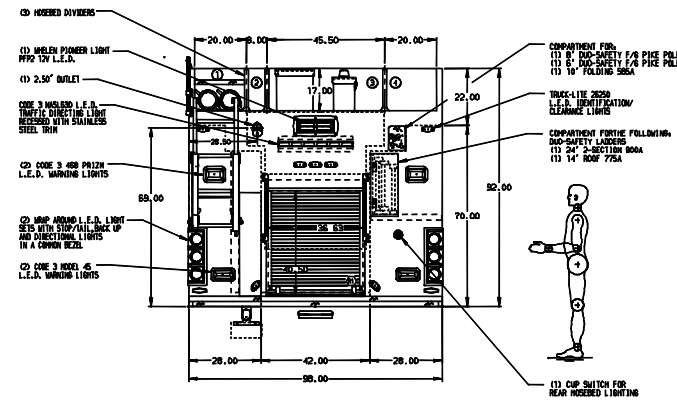


- HOSED CAPACITIES**
- ① - 200' OF 2.50" HOSE
 - ② - 100' OF 3.00" HOSE
 - ③ - 100' OF 3.50" HOSE



ALUMINUM BODY **MAXIMUM O.A.H. 122.00"** **SIDE ROLL AND FRONTAL IMPACT PROTECTION**

NOTE
 DIMENSIONS SHOWN ARE APPROXIMATE AND ARE SUBJECT TO MINOR DEVIATIONS AS MAY OCCUR OR BE NECESSARY IN CONSTRUCTION.
 MINOR DETAILS NOT SHOWN.

1. IMPORT AUTOMATIC TIRE CHAINS TO BE PROVIDED AT REAR
2. WIND LASS SYSTEM FROM LOCATED PER SHOP ORDER
3. ALUMINUM TEMPLATE EXTERIOR REAR WALL OF CAB
4. MOUNTING BRACE FOR INTERIOR LOCATED PER SHOP ORDER
5. BATTERY CHARGER/COMPRESSOR LOCATED TO
6. WIND LASS SYSTEM DISCONNECT LOCATED PER SHOP ORDER
7. AIR BOTTLE BOTTLE DISCONNECT LOCATED PER SHOP ORDER
8. AIR BOTTLE BOTTLE DISCONNECT LOCATED PER SHOP ORDER
9. AIR BOTTLE BOTTLE DISCONNECT LOCATED PER SHOP ORDER
10. AIR BOTTLE BOTTLE DISCONNECT LOCATED PER SHOP ORDER
11. ONE ADJUSTABLE FULL WIDTH/FULL DEPTH SHELF IN COMPARTMENT P2, TWO IN D1, D5, P1 & P3
12. ONE PAINTED FLOOR MOUNTED 30-300" TRAY IN COMPARTMENT D1
13. ONE SPRING-RATE ALUMINUM TRAY MOUNTED IN COMPARTMENT D1
14. STORAGE FOR LITTLE LEAFY LADDER IN COMPARTMENT P2
15. ALL FLOORING SHALL BE TRIP-RESISTANT WITH INTEGRATED L.E.D. LIGHT UNLESS SPECIFIED
16. SHIRT/SLING TETHERS LOCATED ON CAB AND BODY
17. ONE 120V DUPLEX RECEPTACLE LOCATED IN EACH ENG COMPARTMENT
18. WAMP 200-2500-DC 1650W INVERTER LOCATED IN COMPARTMENT D5

		PIERCE MANUFACTURING INC.		JOB NO.	27820
				SCALE	1:24
				DATE	
				DRAWN BY	AH1
				DESIGNED BY	TEO
				SHEET SIZE	17 APR 14
				SHEET NO.	1 of 1

		PIERCE		CHASSIS DATA	
				TITLE	
				1500-D-1000P W/206 FOAM CELL, 189" PUC BODY, (3) XLAYS DELUGE, BOOSTER REEL, LDRS THRU BODY, HSH IN HOSED	
				FOR	
				FORT LUPTON FIRE PROTECTION DISTRICT	
				FORT LUPTON, COLORADO	
				DWG NO.	
				27820AD	
				VELOCITY	