

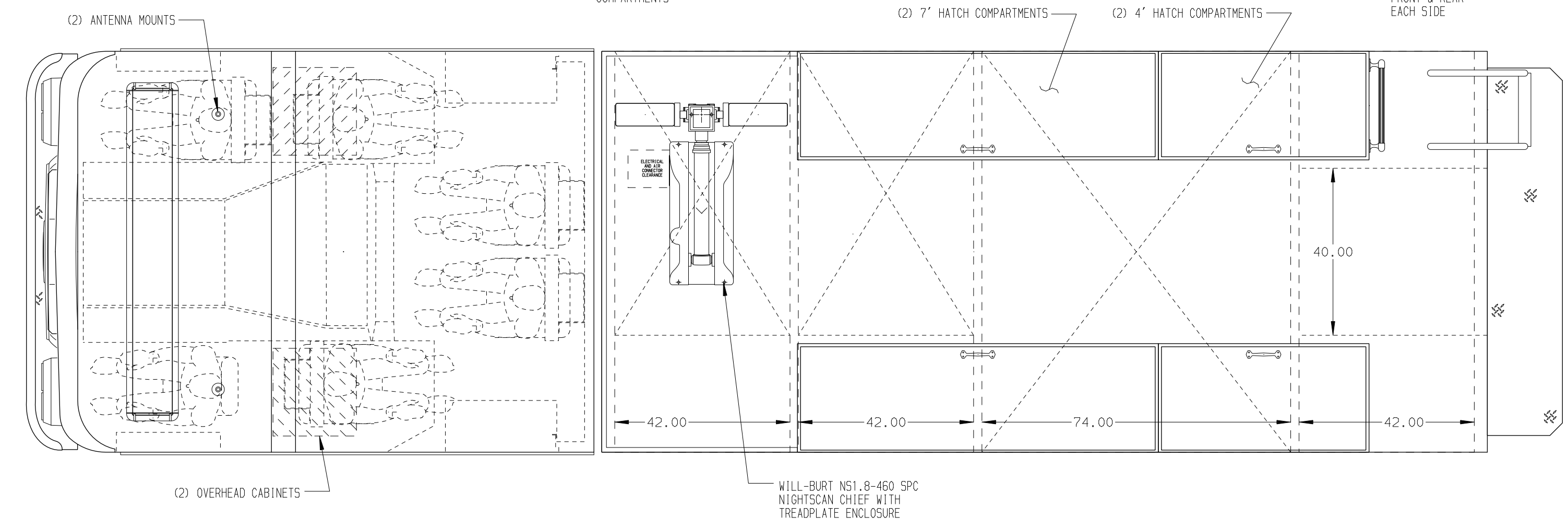
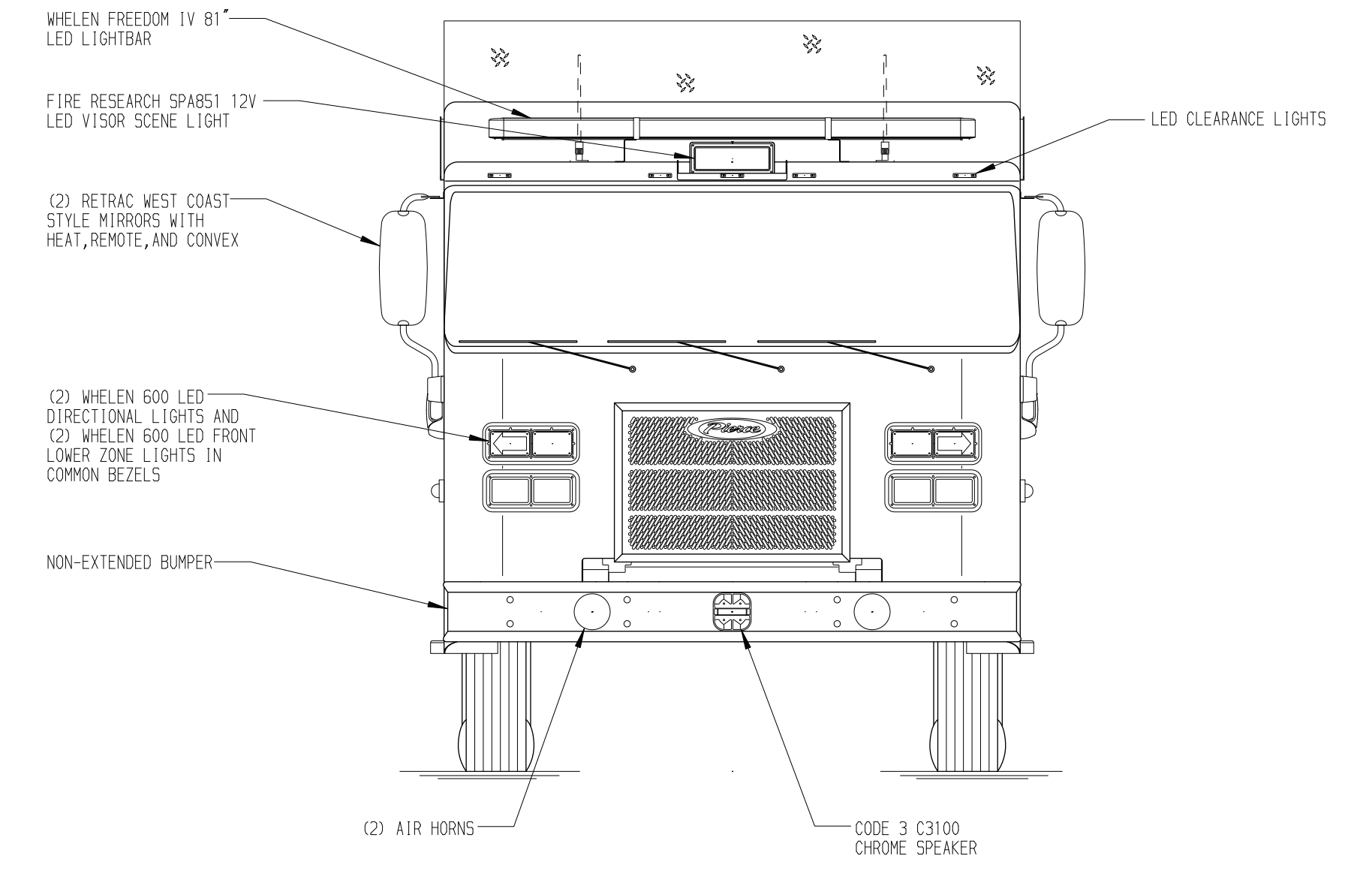
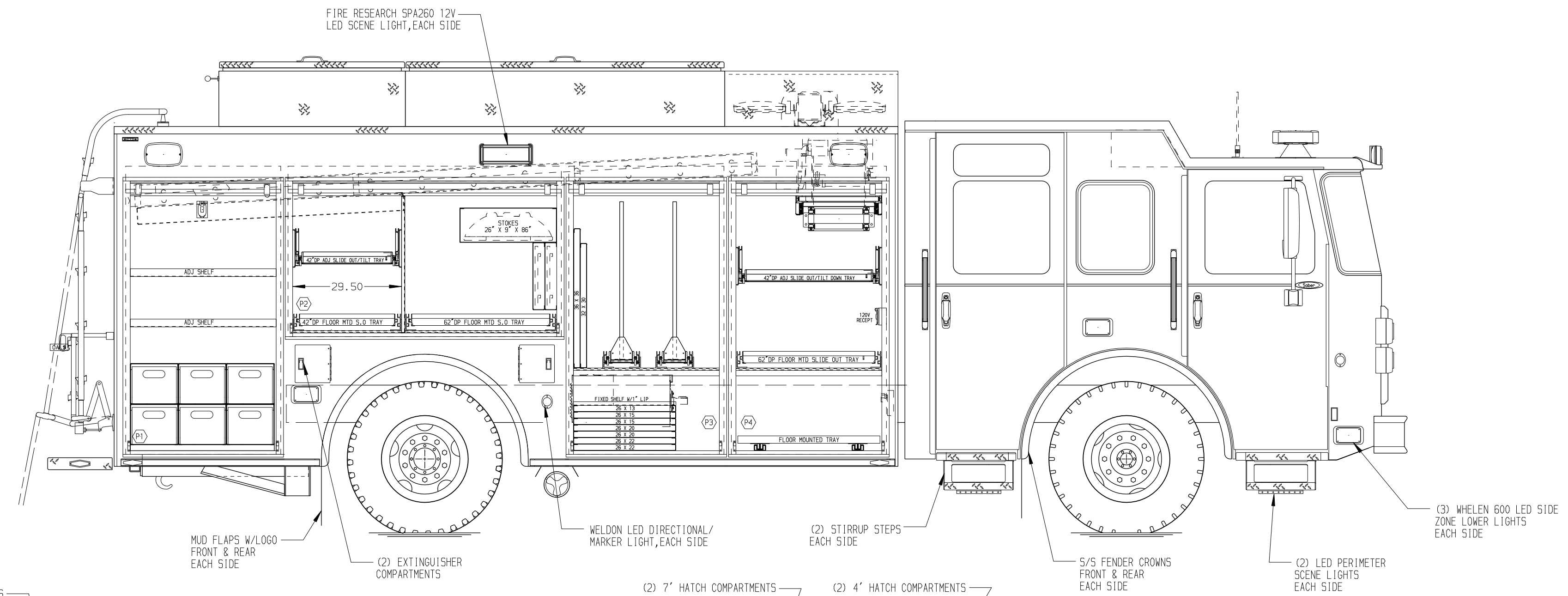
PASSENGER'S SIDE COMPARTMENTS CONTAIN THE FOLLOWING:

- COMPARTMENT P1 CONTAINS:**
 - (2) 22" DP ADJ SHELVES
 - (6) POLY TOOL BOXES (12" X 10" X 22" D)
 - (1) SPECIAL STORAGE RACK W/6 SLOTS (12.75" X 10.75" X 22" D)
 - (1) 20A, 120V DUPLEX RECEPTACLE

- COMPARTMENT P2 CONTAINS:**
 - (1) VERTICAL COMPARTMENT DIVIDER
 - (1) 42" DP ADJ SLIDE OUT/TILT TRAY
 - (1) 62" DP FLOOR MOUNTED SLIDE OUT TRAY
 - (1) 42" DP FLOOR MOUNTED SLIDE OUT TRAY
 - (1) STOKES BASKET RACK
 - (1) RACK FOR 2 BACKBOARDS

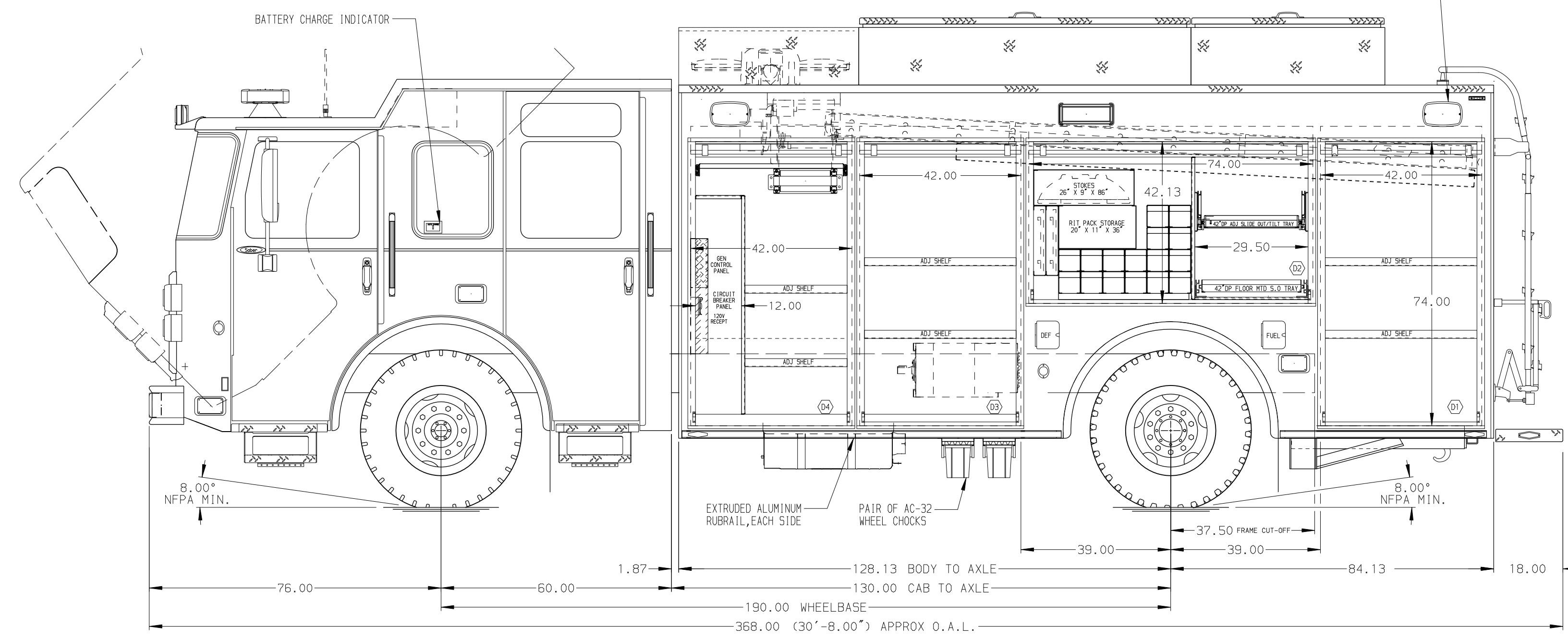
- COMPARTMENT P3 CONTAINS:**
 - (1) HORIZONTAL FLOOR EXTENSION
 - (2) 62" DP ADJ SLIDE OUT TOOLBOARDS
 - RACK FOR (9) AIR BAGS

- COMPARTMENT P4 CONTAINS:**
 - (1) HORIZONTAL FLOOR EXTENSION
 - (1) 42" DP ADJ SLIDE OUT/TILT TRAY
 - (1) 62" DP FLOOR MOUNTED SLIDE OUT TRAY
 - (1) CAB LIFT CONTROLLER
 - (1) 22" DP FLOOR MOUNTED TRAY
 - (1) ELECTRIC CORD REEL WITH 300' OF 10/4 YELLOW CORD
 - (1) SLIDE OUT ROLLER GUIDE BRACKET
 - (1) 20A, 120V FIREPOWER RECEPTACLE



REAR COMPARTMENT CONTAINS THE FOLLOWING:

COMPARTMENT R1 CONTAINS:
 - (1) SPECIAL SIZE ADJ SHELF
 - (1) 36" DP ADJ SLIDE OUT TRAY
 - (1) 42" DP FLOOR MOUNTED SLIDE OUT TRAY
 - (1) 20A, 120V FIREPOWER RECEPTACLE
 - (1) 30A, 240V T.L. RECEPTACLE
 - (1) HURST HYDRAULIC POWER UNIT
 - (1) CMW DUAL HYDRAULIC REEL WITH 100' OF HOSE EACH SIDE
 - (1) SLIDE OUT ROLLER GUIDE BRACKET
 - (1) RACK FOR THE FOLLOWING:
 - (1) 24" 2-SECTION LADDER
 - (4) PIKE POLES
 - (6) TUBE FOR CHIMNEY BRUSH RODS
 - (6) 4"x4" CRIBBING
 - (1) 10' FOLDING LADDER



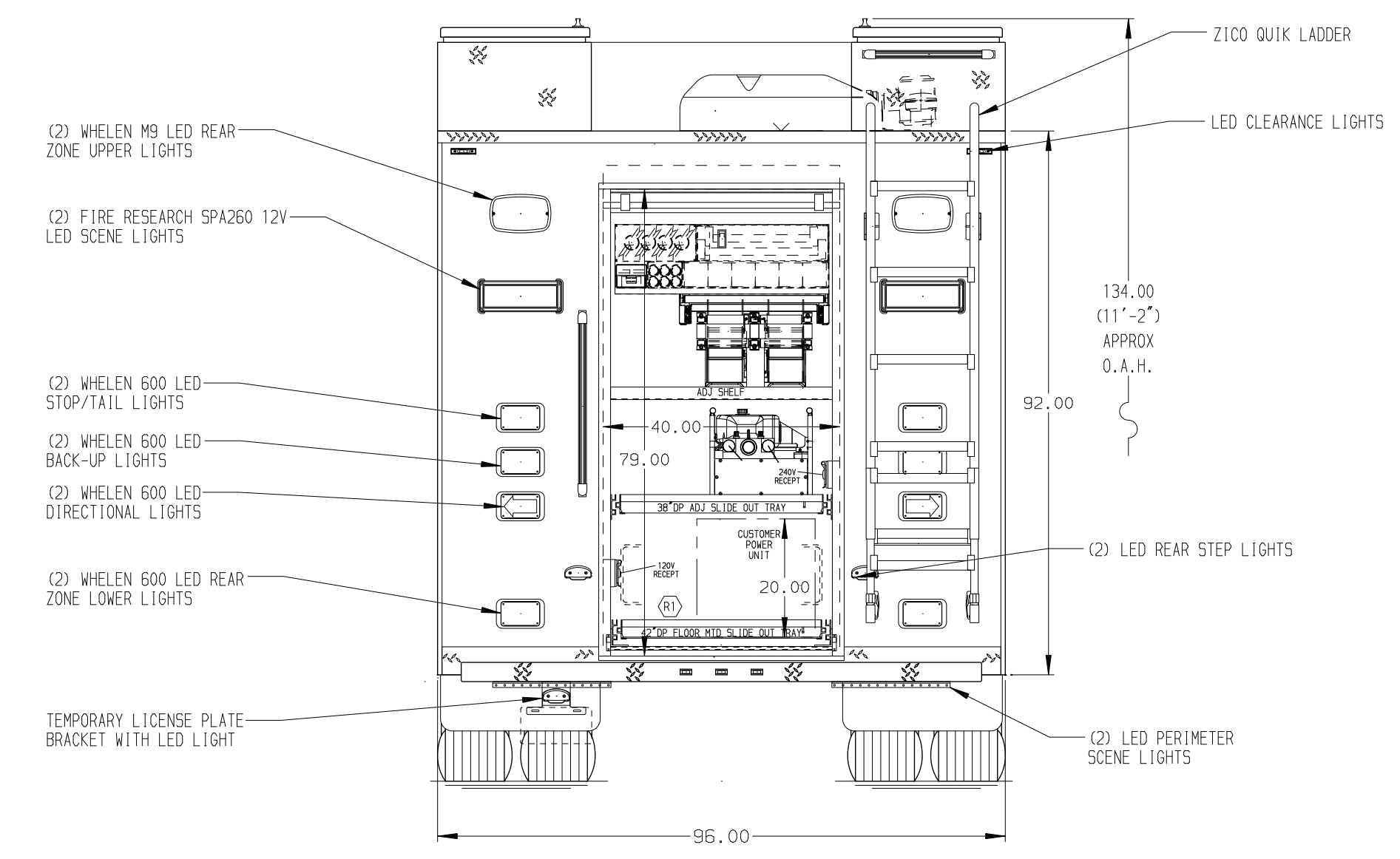
DRIVER'S SIDE COMPARTMENTS CONTAIN THE FOLLOWING:

COMPARTMENT D1 CONTAINS:
 - (2) 22" DP ADJ SHELVES

COMPARTMENT D2 CONTAINS:
 - (1) VERTICAL COMPARTMENT DIVIDER
 - (1) 42" DP ADJ SLIDE OUT/TILT TRAY
 - (1) RACK FOR 16 SCBA BOTTLES (5.5" SQUARE OPENINGS)
 - (1) 42" DP FLOOR MOUNTED SLIDE OUT TRAY
 - (1) STOKES BASKET RACK
 - (1) RACK FOR 2 BACKBOARDS
 - (1) RIT PACK STORAGE RACK

COMPARTMENT D3 CONTAINS:
 - (1) VERTICAL REAR WALL DIVIDER
 - (2) 22" DP ADJ SHELVES

COMPARTMENT D4 CONTAINS:
 - (1) VERTICAL REAR WALL DIVIDER
 - (1) L-SHAPED COMPARTMENT DIVIDER
 - (2) 22" DP ADJ SHELVES
 - (1) CIRCUIT BREAKER PANEL
 - (1) GENERATOR METER PANEL
 - (1) NIGHT SCAN CONTROLLER
 - (1) ELECTRIC CORD REEL WITH 300' OF 10/4 YELLOW CORD
 - (1) SLIDE OUT ROLLER GUIDE BRACKET
 - (1) 20A, 120V FIREPOWER RECEPTACLE



NOTE
 DIMENSIONS SHOWN ARE APPROXIMATE AND ARE SUBJECT TO MINOR DEVIATIONS AS MAY OCCUR OR BE NECESSARY IN CONSTRUCTION. MINOR DETAILS NOT SHOWN.

- NOTES:**
- ONSPOT AUTOMATIC TIRE CHAINS
 - AIR INLET WITH DISCONNECT COUPLING LOCATED IN DRIVER'S SIDE LOWER STEP WELL OF CAB
 - POLISHED 5/8" SCUFFPLATES ON CAB AND CREW CAB DOOR JAMBS
 - FLOOR IN CAB AND CREW CAB TO BE PADDED RUBBER
 - KUSHMIL 1200 CHARGER LOCATED BEHIND THE DRIVER'S SEAT
 - PULL STRAPS ON ALL BODY ROLL-UP DOORS
 - AMOR LED LIGHT STRIPS IN ALL BODY COMPARTMENTS
 - ONAN 25KW SINGLE PHASE PTO DRIVEN GENERATOR WITH SPLASH GUARD LOCATED BETWEEN THE FRAME RAILS
 - (1) 15A, 120V SHORELINE INLET IN DRIVER'S SIDE STEP WELL

STAINLESS STEEL BODY

CLEAR DOOR WIDTH KEY		REV	DATE	BY	CH	CHASSIS DATA
AMOR ROLL UP DOORS:	-1 7/8"	04JAN17	ALZ	AZU		PIERCE
CORTITE ROLL UP DOORS:	-2 3/4"	13DEC16	DHE	AZU		MAKE
PIERCE DOUBLE LIP DOORS:	-4 1/4"	05OCT16	ALZ	AZU		MODEL
PIERCE LIFT-UP LIP DOORS:	-1 1/2"	29AUG16	DHE	AZU		
(EX: 60" F-F = 1 7/8" = 58 1/8" CLEAR) (F-F) = FRAME TO FRAME						

		JOB NO.	29878
		SCALE	DATE
TITLE ENCORE RESCUE VEHICLE 42.42.74.42		DRAWN BY	09AUG16
		CHECKED BY	18AUG16
FOR MIDDLESEX FIRE DISTRICT MIDDLESEX, NY		DWG NO.	29878AD
		SHEET NO.	1 OF 1