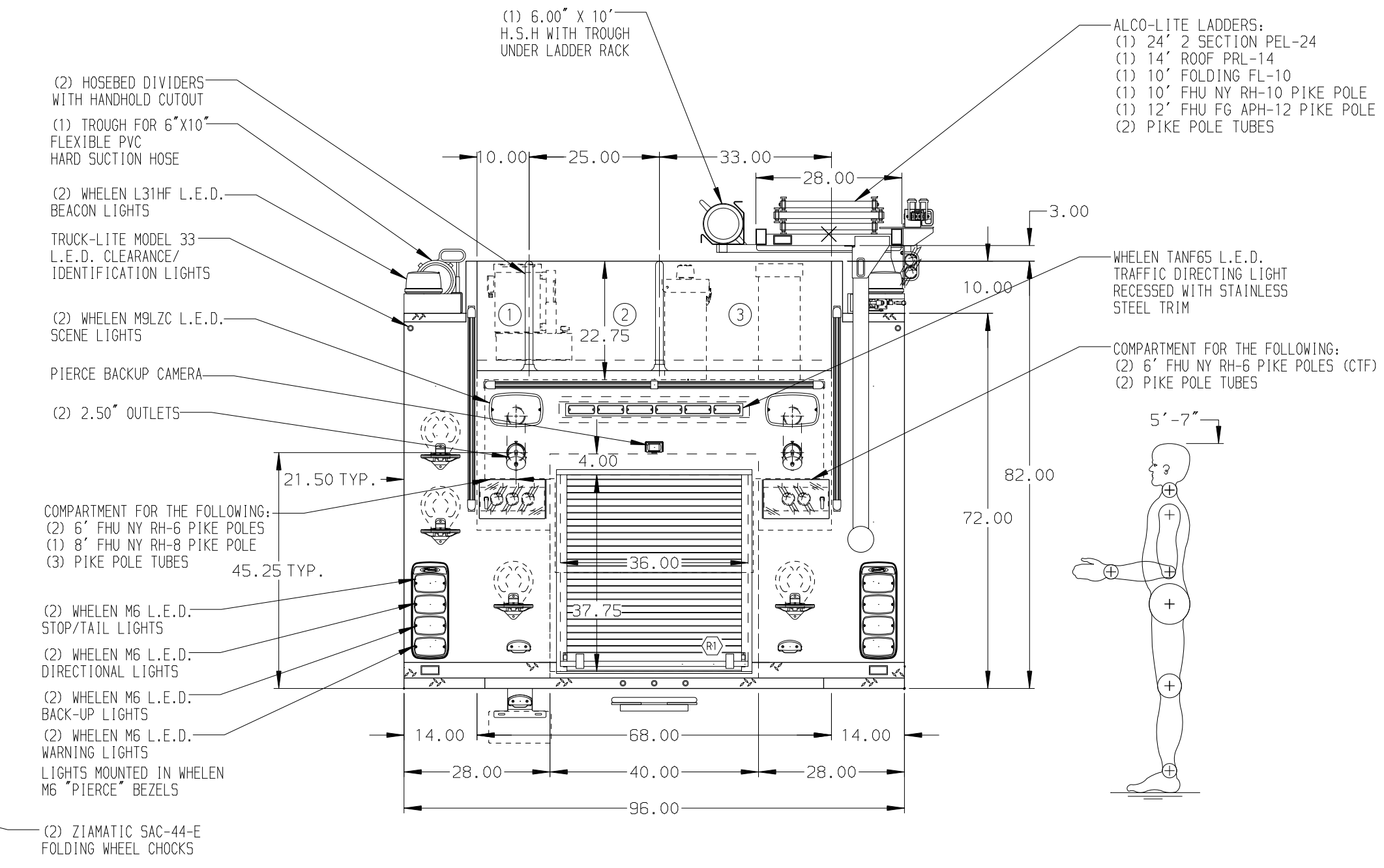
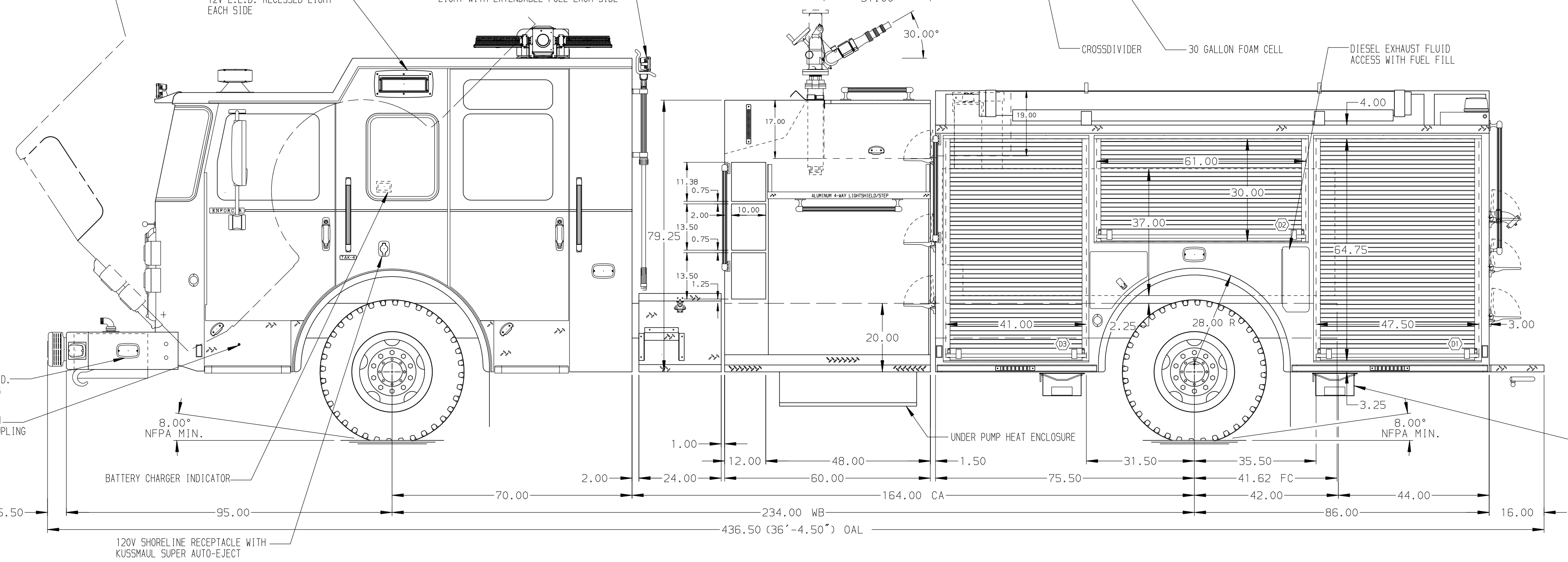


- HOSEBED CAPACITIES
- ① 300' OF 2.50" D.J. HOSE
 - ② 100' OF 1.75" D.J. HOSE (TOP)
 - ③ 800' OF 3.00" D.J. HOSE (BOTTOM)
 - ④ 1000' OF 5.00" D.J. HOSE



ALUMINUM BODY

SIDE ROLL AND FRONTAL IMPACT PROTECTION

NOTE
DIMENSIONS SHOWN ARE APPROXIMATE AND ARE SUBJECT TO MINOR DEVIATIONS AS MAY OCCUR OR BE NECESSARY IN CONSTRUCTION. MINOR DETAILS NOT SHOWN.

1. BATTERY CHARGER LOCATED BEHIND DRIVER SEAT
2. ONE L.E.D. LIGHT STRIP LOCATED ON EACH SIDE IN THE HOSEBED
3. ONE ADJUSTABLE SHELF (FULL DEPTH/FULL WIDTH) IN D1,P1 AND ON THE LEFT SIDE OF THE DIVIDER IN D3
4. ONE ADJUSTABLE SLIDE-OUT TRAY IN R1
5. ONE FLOOR MOUNTED SLIDE-OUT TRAY IN D1,R1,P1,P3
6. ALUMINUM SWING-OUT TOOLBOARD WITH PAC TRAC IN P2
7. CTECH DRAWER ASSEMBLY IN D3
8. PAC TRAC ON THE REAR WALL OF D3,P2,P3
9. ONE VERTICAL PARTITION (FULL HEIGHT) IN D3
10. (1) 120V DUPLEX RECEPTACLE WITH WATERPROOF COVER IN D3

11. (1) 120V DUPLEX RECEPTACLE IN EMS COMPARTMENT

REV	DATE	BY	CH	ENFORCER
07MAR16	LST	LST		PIERCE
15FEB16	LST	JBO		MODEL

		JOB NO.	29520		
		SCALE	DATE		
CHASSIS DATA MAKE MODEL ENFORCER	TITLE	1500-D-750P W/30 GAL FOAM CELL, 161" FH FDLR (2) SPEEDLAYS, (1) DEADLAY, HYD. EQUIP. RACK, DELUGE	DRAWN BY	LST	19NOV15
	FOR	NEW LENOX FIRE PROTECTION DISTRICT NEW LENOX, ILLINOIS	CHECKED BY	MGE	20NOV15
	DWG NO.	29520AD	SHEET SIZE	D	SHEET NO. 1 OF 1