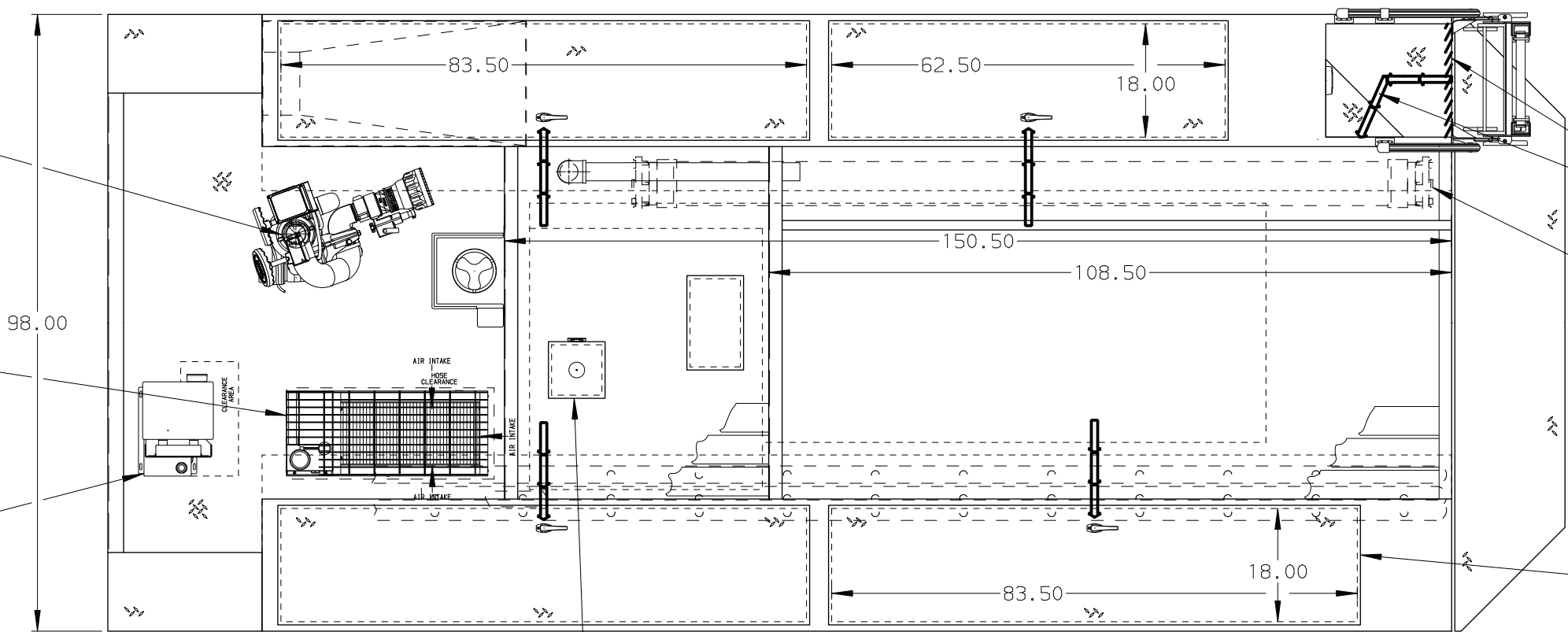
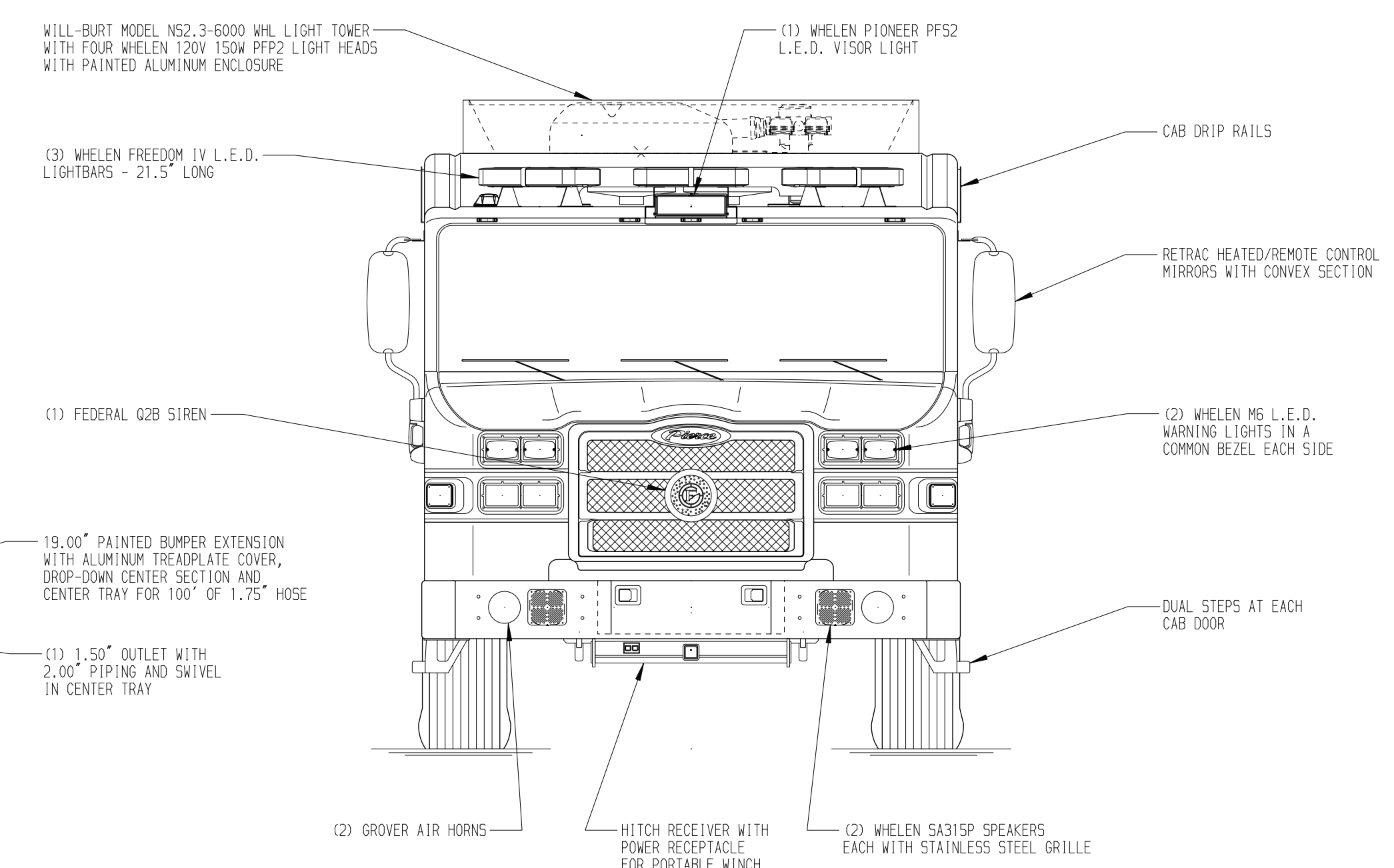
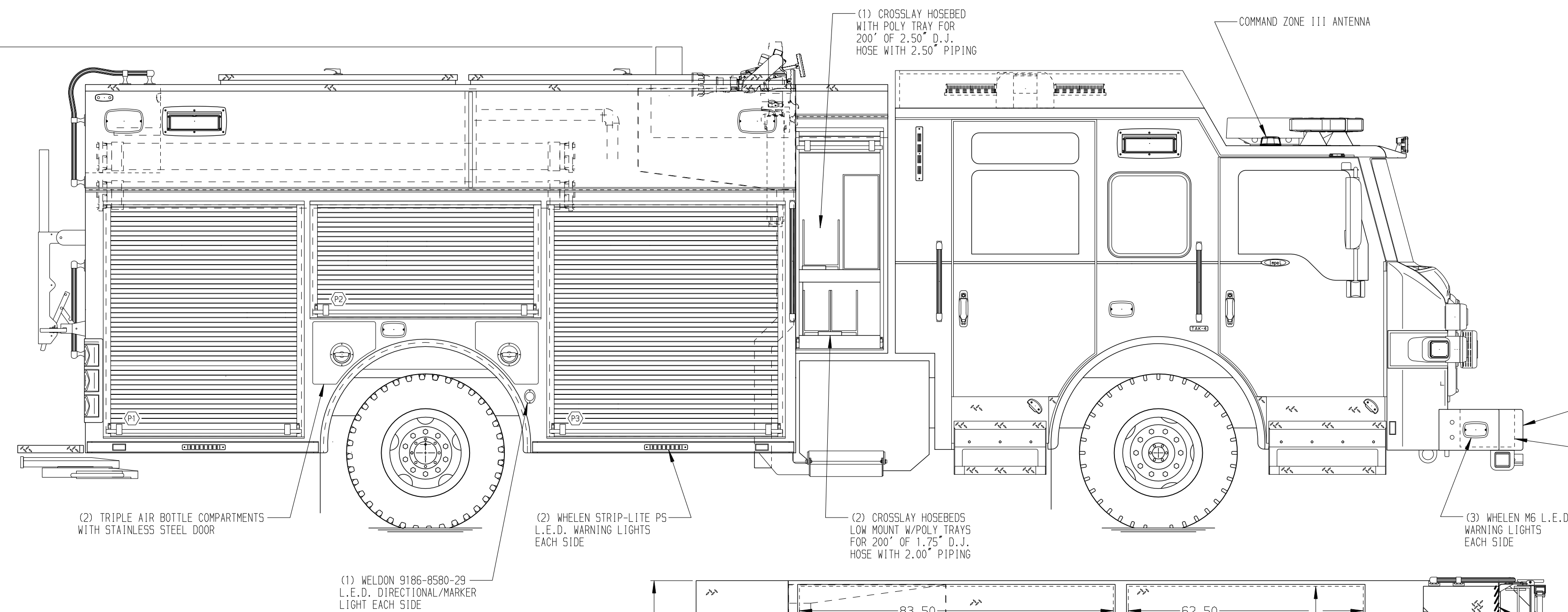
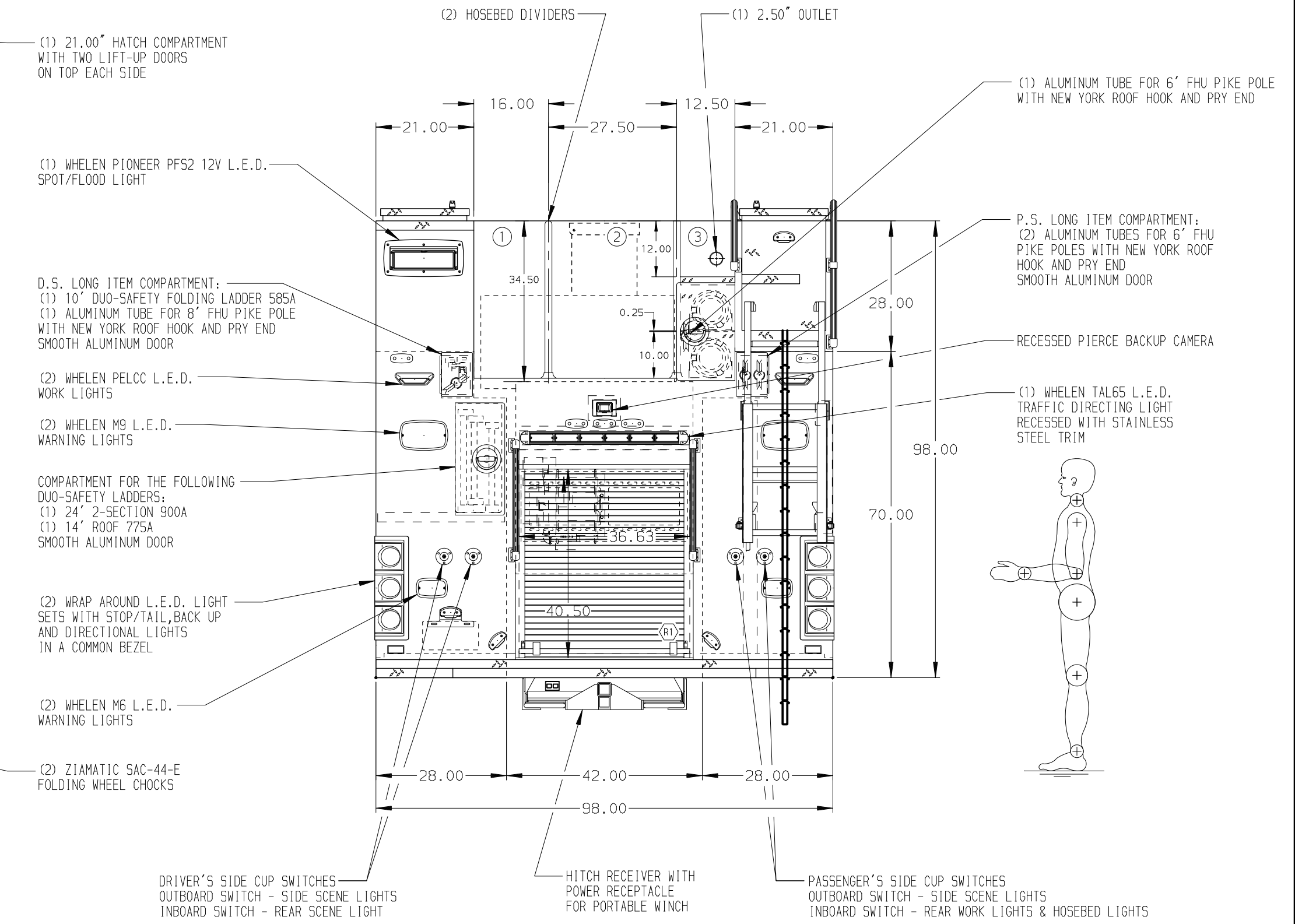
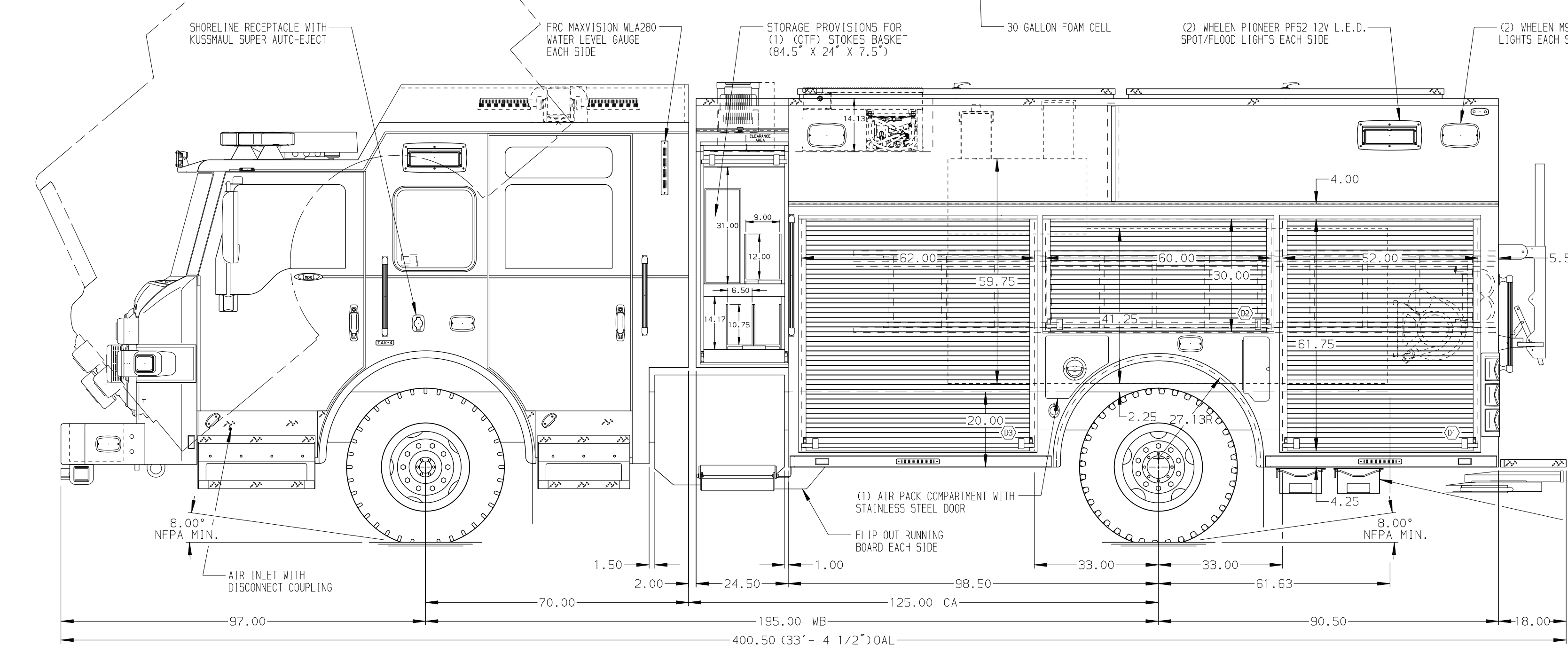


131.00  
(10'-11")  
APPROX  
O.A.H.



- HOSEBED CAPACITIES**
- ① 600' OF 2.50" D.J. POLY HOSE
  - ② 1000' OF 5.00" RUBBER HOSE
  - ③ 250' OF 2.50" D.J. POLY HOSE



**ALUMINUM BODY**

**SIDE ROLL AND FRONTAL IMPACT PROTECTION**

**NOTE**  
DIMENSIONS SHOWN ARE APPROXIMATE AND ARE SUBJECT TO MINOR DEVIATIONS AS MAY OCCUR OR BE NECESSARY IN CONSTRUCTION. MINOR DETAILS NOT SHOWN.

1. KUSSMAUL BATTERY CHARGER/AIR COMPRESSOR LOCATED BEHIND DRIVER'S SEAT
2. BATTERY CHARGER INDICATOR BEHIND DRIVER'S SEAT DISPLAYED THROUGH WINDOW
3. FIVE ADJUSTABLE FULL-WIDTH/FULL-DEPTH SHELVES - THREE IN D1, ONE IN D3 AND ONE IN P1
4. TWO ADJUSTABLE TILT/SLIDE-OUT FULL WIDTH/DEPTH TRAYS - ONE IN P2 AND P3
5. FIVE FLOOR MOUNTED SLIDE-OUT TRAYS - ONE IN D1, D3, P1, P3 AND R1
6. ONE SWING-OUT ALUMINUM TOOL BOARD IN D2
7. ONE ALUMINUM TOOL BOARD ON SLIDE-OUT TRAY IN D3
8. THREE ALUMINUM VERTICAL PARTITIONS - ONE IN D1, P1 AND P3
9. ONE ADJUSTABLE SLIDE-OUT TRAY IN P3
10. 4-SLOT AIR BAG RACK IN P3
11. STAINLESS STEEL SCUFFPLATES - CROSSLAY OPENINGS, FENDER PANEL STORAGE COMPARTMENTS, LADDER AND PIKE POLE STORAGE COMPARTMENTS
12. THREE ADDITIONAL POLY TRAYS SHIPPED LOOSE
13. CIRCUIT BREAKER PANEL AND SUB-FEED BOX IN D3
14. ONE HANNAY ELECTRIC REWIND CORD REEL MODEL ECR1616-17-18 WITH 200' OF 12/3 CORD AND AKRON JUNCTION BOX WITH HOLDER IN R1
15. OIL DRY HOPPER IN PASSENGER'S SIDE HATCH COMPARTMENT
16. TWO ALUMINUM EXTINGUISHER STORAGE BINS SHIPPED LOOSE

REV	DATE	BY	CH	IMPEL
1	13FEB17	JRO	MSA	CHASSIS DATA
2	06OCT16	JRO	MSA	MAKE
3	09SEP16	JRO	MSA	PIERCE
4	24JUN16	JRO	CDU	MODEL

		JOB NO.	30115
		SCALE	DATE
<b>TITLE</b> 1500-D-750/30, 189 RESCUE BODY, HATCH COMPARTMENTS LADDERS THRU BODY, DELUGE, GENERATOR, CROSSLAYS  <b>FOR</b> NORTHWOOD FIRE DEPARTMENT NORTHWOOD, OHIO	<b>DWG NO.</b> 30115AD	DRAWN BY	JRO 17JUN16
		CHECKED BY	CDU 17JUN16
		SHEET SIZE	SHEET NO.
		D	1 OF 1