

# Pumper, PUC

## BODY

Pumper, PUC, Aluminum

## CHASSIS

Enforcer Chassis, PUC

## CHASSIS AXLE, FRONT, CUSTOM

19,500 Lb TAK-4 Axle

## AXLE, REAR

31,000 Lb Dana Axle

## ENGINE

505 HP DD13 Engine

## TRANSMISSION

Allison 5th Gen, 4000 EVS P

## BUMPER

22" Extended Steel Pointed

## CAB

7010 Enforcer Cab, PUC

## BODY

### WATER TANK

975 Gallon Poly Water Tank

### COMPT, PUMPER, REAR

40.50" FF RollUp Rear Compt w/Tailboard, PUC

### COMPT, PUMPER, DRIVER SIDE

189" RollUp Full Height & Depth Front & Rear, PUC

### COMPT, PUMPER PASS. SIDE

189" RollUp Full Height & Depth Front & Rear, PUC

## FIRE SUPPRESSION PUMPHOUSE

Control Zone, PUC

### PUMP

1500 GPM Pierce PUC

### CROSSLAYS, 1.50"

(2) 1.50" With Poly Trays, 200 Ft, PUC

### CROSSLAYS, 2.50"

2.50" CrossLay Not Required

### GENERATOR

Harrison 6kW MSV Hydraulic Generator

### Foam System

Husky 3 Single Agent Foam System

### Foam Cell

25 Gallon Foam Cell, Reduced Water, PUC

Side Roll and Frontal Impact Protection

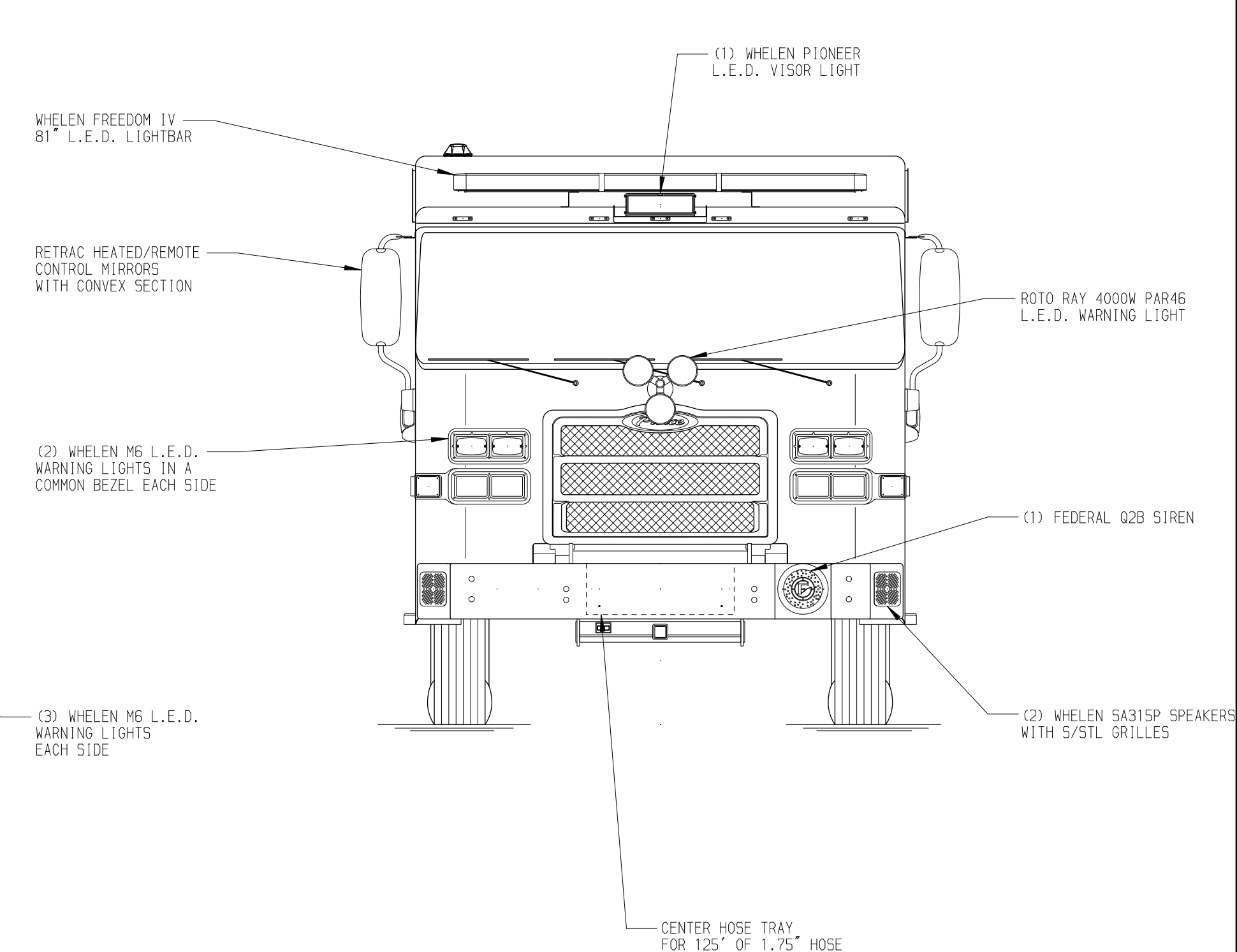
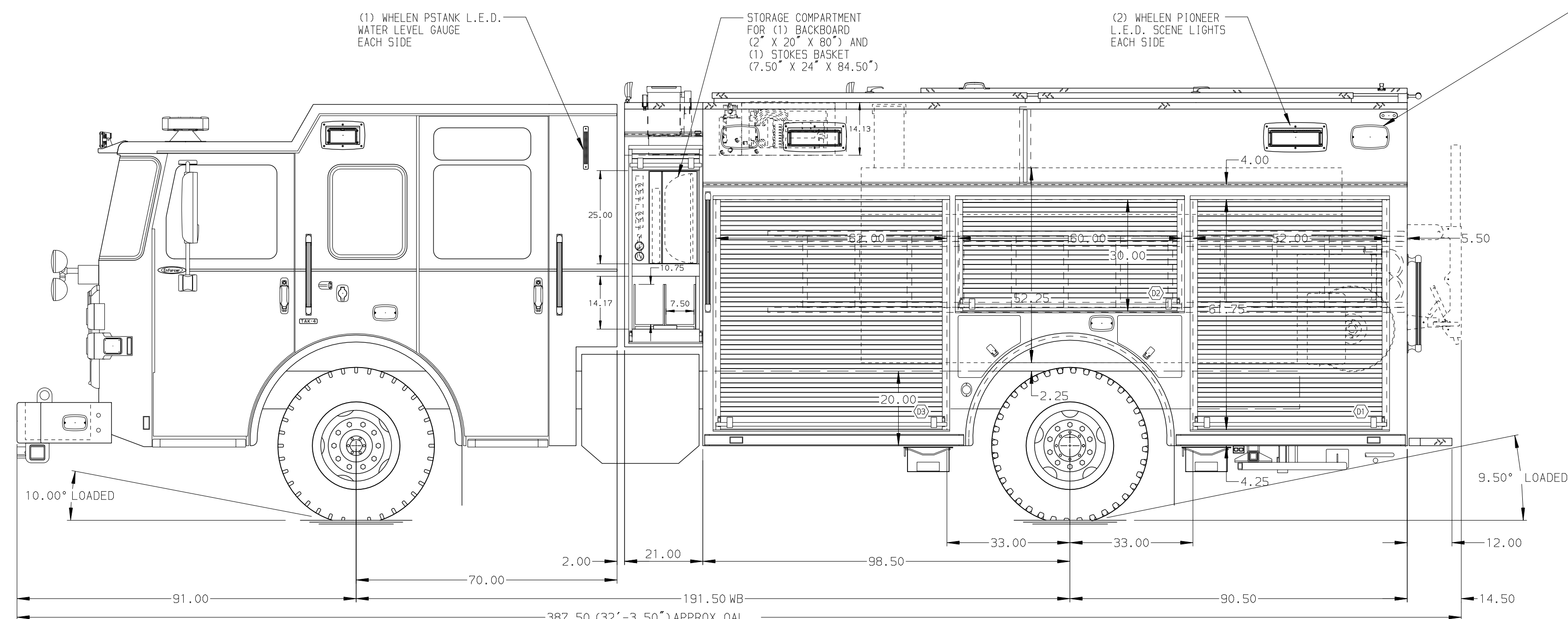
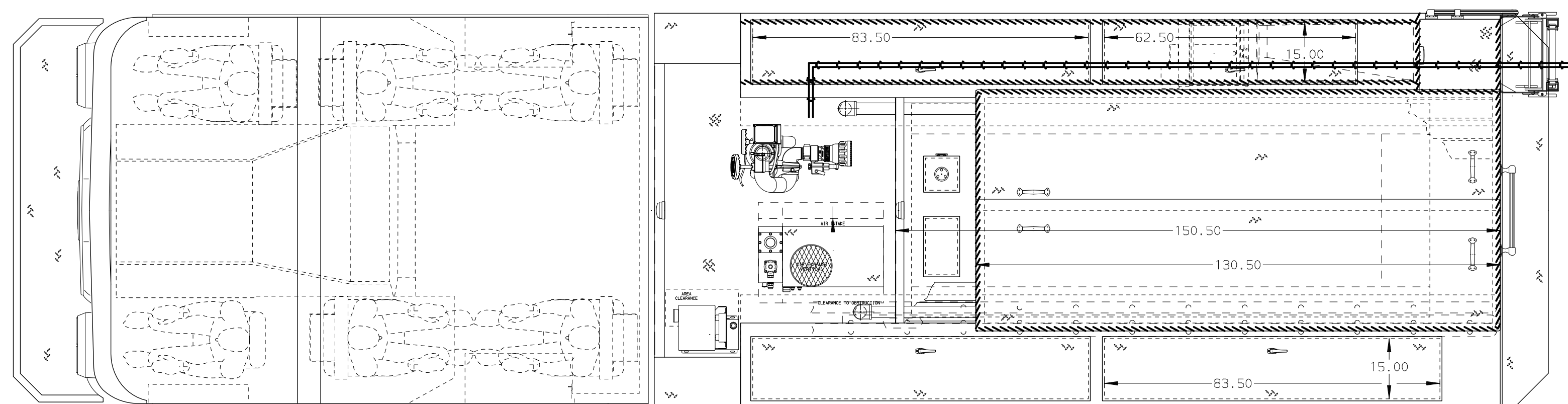
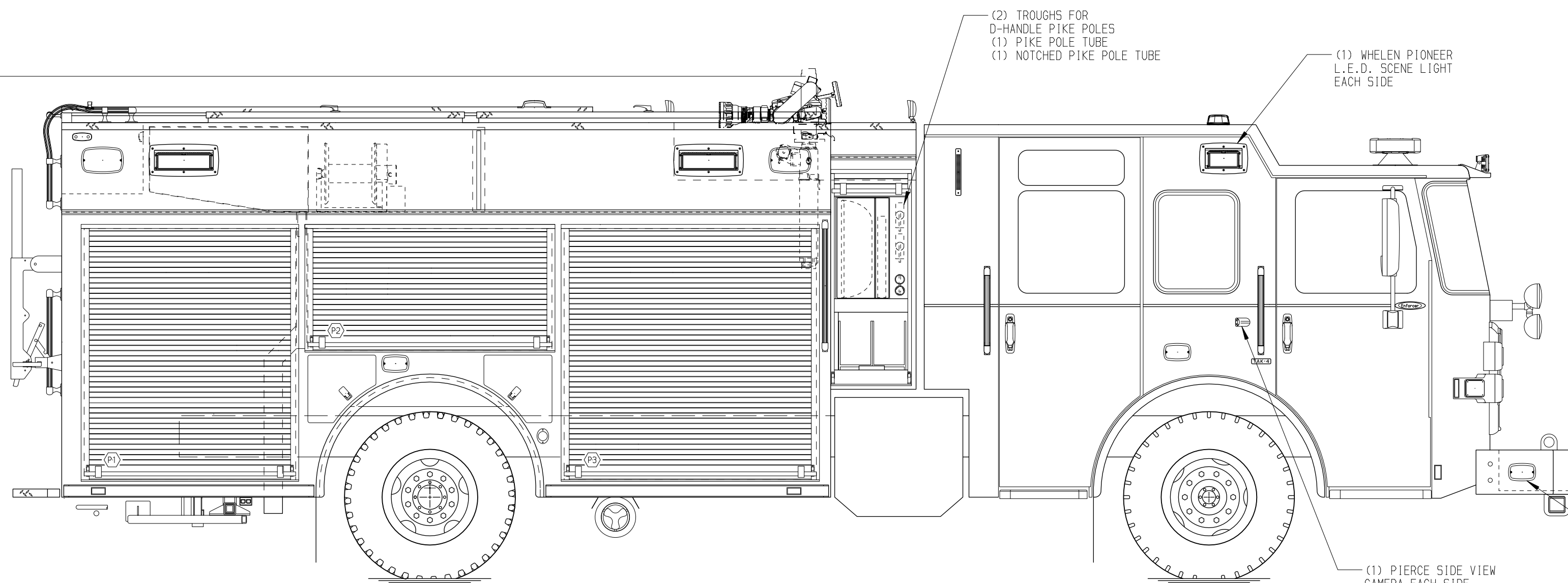
### NOTE

DIMENSIONS SHOWN ARE APPROXIMATE AND ARE SUBJECT TO MINOR DEVIATIONS AS MAY OCCUR OR BE NECESSARY IN CONSTRUCTION. MINOR DETAILS NOT SHOWN.

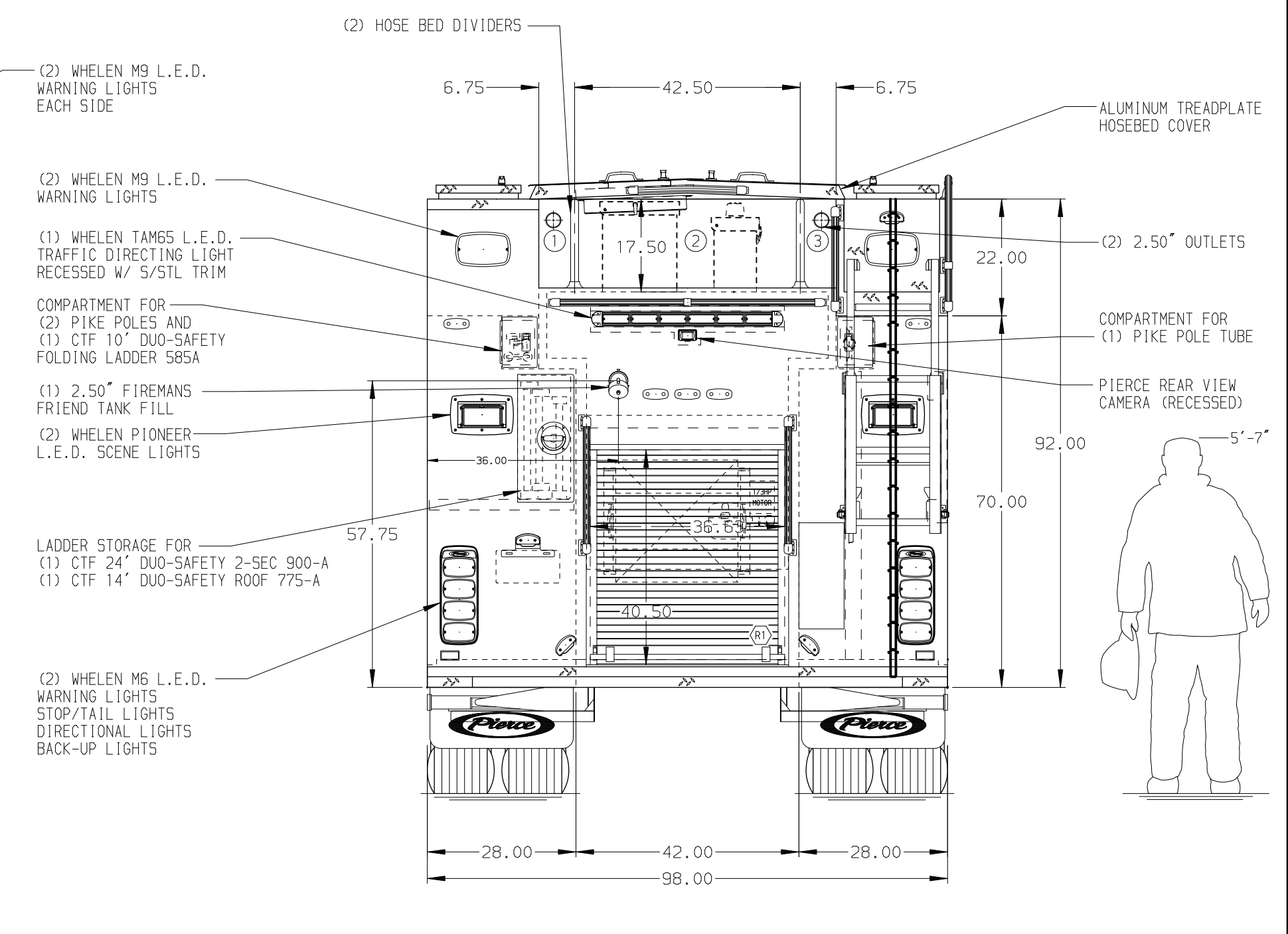
- ONE 1.50" OUTLET WITH 2.00" PIPING AND SWIVEL LOCATED IN CENTER BUMPER TRAY
- SHORELINE RECEPTACLE WITH KUSSMAUL SUPER AUTO-EJECT LOCATED ON DRIVER SIDE OF THE CAB
- AIR INLET WITH DISCONNECT COUPLING ON DRIVER SIDE STEPWELL
- BATTERY CHARGER LOCATED BEHIND DRIVERS SEAT
- BATTERY CHARGE INDICATOR DISPLAYED WINDOW BEHIND DRIVERS SEAT
- ONSPOT AUTOMATIC TIRE CHAINS
- ONE FLOOR MOUNTED SLIDE-OUT TRAY IN COMPARTMENTS D1, P1, P3, & R1
- TWO SLIDE-OUT TOOLBOARDS LOCATED IN COMPARTMENT P1
- ONE CTECH FOUR DRAWER ASSEMBLY LOCATED IN COMPARTMENT P3
- ONE VERTICAL PARTITION LOCATED IN COMPARTMENTS P1 & P2

- ONE ADJUSTABLE SHELF LOCATED IN COMPARTMENTS D2, P1, & P3; TWO IN D1 & D3
- ONE ADJUSTABLE TILTING SLIDE-OUT TRAY LOCATED IN COMPARTMENTS P1, P2, & P3
- GROWER TRAIN HOOD LOCATED BEHIND PS BUMPER
- HANNAY BOOSTER REEL MODEL E30-23-24 LOCATED IN COMPARTMENT R1 WITH CAPACITY FOR 150' OF 1.00" BOOSTER HOSE
- AKRON CORD REEL MODEL ERWC-15-10 LOCATED IN PS HATCH COMPARTMENT WITH 200' OF 10/3 CABLE
- AIR OUTLET W/ SHUT OFF VALVE LOCATED ON DS PUMP PANEL
- 250# OIL DRY HOPPER LOCATED IN PS HATCH COMPARTMENT

128.00  
(10'-8")  
APPROX  
O.A.H.



HOSEBED CAPACITY	
BED 1	200' OF 3.00" KEY LITE HOSE
BED 2	1000' OF 5.00" KEY PRO FLOW HOSE
BED 3	200' OF 3.00" KEY LITE HOSE



REV	DATE	BY	CH	ENFORCER
1	16FEB17	COL	JGO	PIERCE
2	26JAN17	COL	JGO	PIERCE

		JOB NO.	30864
		SCALE	DATE
TITLE	Pierce PUC Pumper Approval Drawing	DRAWN BY	KB0
FOR	Pigeon Forge Fire Department	CHECKED BY	SHE
DWG NO.	30864AD	SHEET SIZE	SHEET NO.
		D	1 OF 1